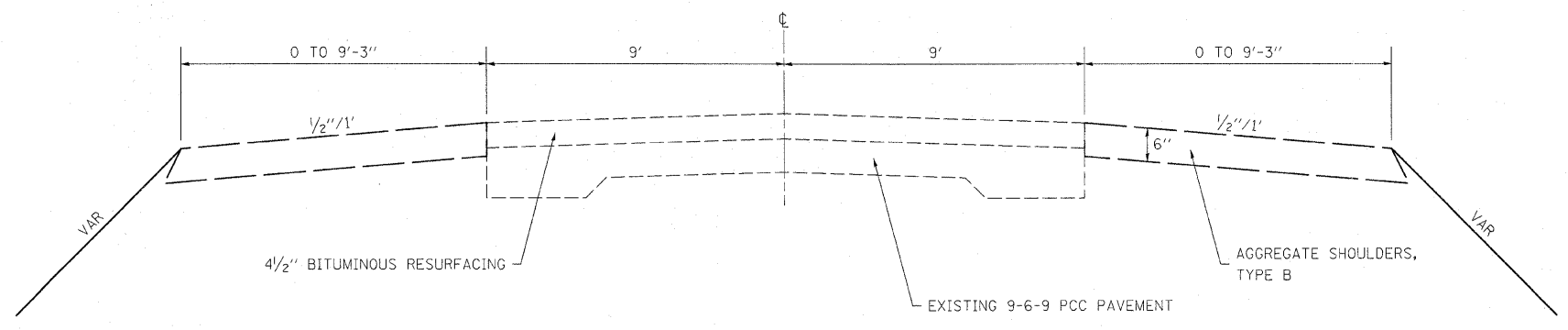


EXISTING ROADWAY TYPICAL SECTION



PROPOSED TYPICAL SECTION  
 STA 30+50.5 TO STA 32+81  
 STA 33+27 TO STA 35+57.5

FILE NAME =	USER NAME = steffennk	DESIGNED -	REVISED -	<b>STATE OF ILLINOIS DEPARTMENT OF TRANSPORTATION</b>	<b>TYPICAL SECTIONS</b>			F.A.P. RTE.	SECTION	COUNTY	TOTAL SHEETS	SHEET NO.
ct:\pv_work\PW100T\STEFFENK\dms52291\	74213-sh1-typ.dgn	DRAWN -	REVISED -					823	21B-1	Edwards	24	4
	PLOT SCALE = 50.0000' / IN.	CHECKED -	REVISED -					CONTRACT NO. 74213				
	PLOT DATE = 3/19/2009	DATE -	REVISED -		SCALE:	SHEET NO.	OF SHEETS	STA.	TO STA.	ILLINOIS FED. AID PROJECT		