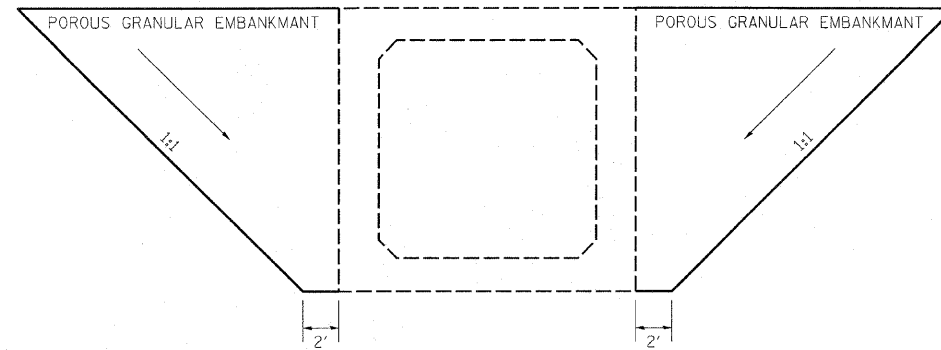
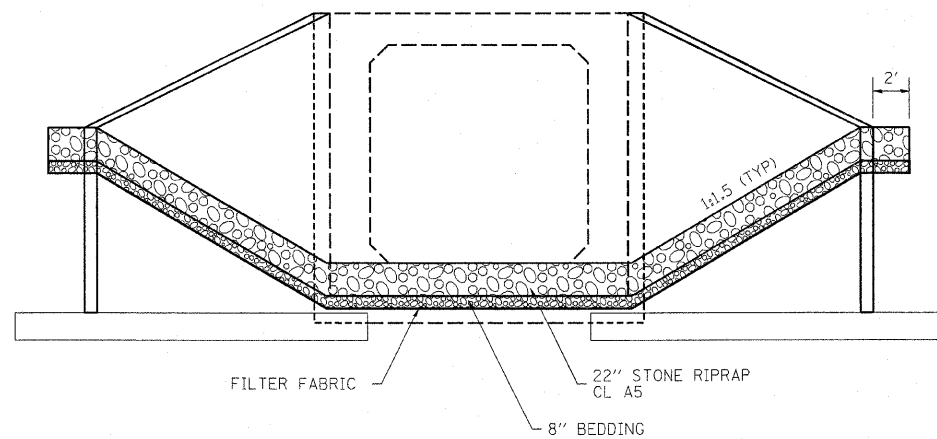


PLAN
NORTH END SHOWN

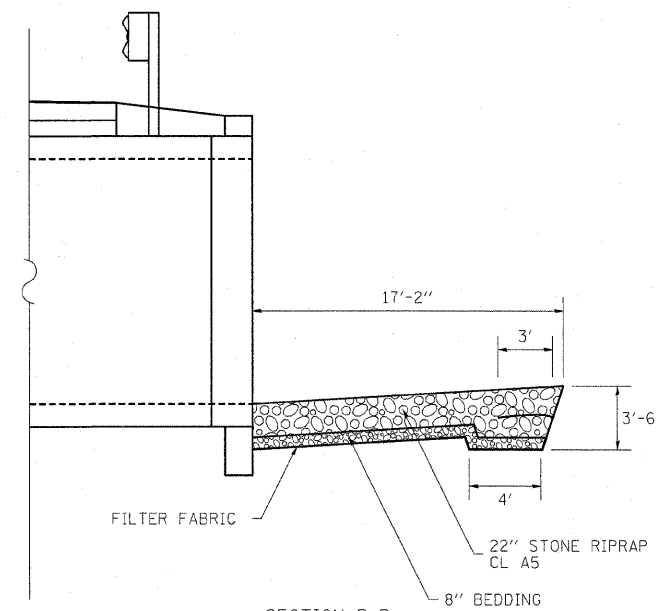


LIMITS OF POROUS GRANULAR EMBANKMENT

THE LIMITS SHALL BE AS SHOWN ABOVE OR AS DIRECTED BY THE ENGINEER.
 THE GRANULAR MATERIAL SHALL BE COMPACTED ACCORDING TO ARTICLE 206.06, OR AS DIRECTED BY THE ENGINEER.
 THAT PORTION OF THE PGE OUTSIDE THE AGGREGATE SHOULDERS AND BEHIND THE END SECTION WINGWALLS SHALL BE COVERED WITH A MINIMUM OF 1 FOOT OF COHESIVE MATERIAL AS DIRECTED BY THE ENGINEER. COST INCLUDED WITH POROUS GRANULAR EMBANKMENT.



SECTION A-A



SECTION B-B

NOTES

LAYOUT OF RIPRAP MAY BE VARIED TO SUIT GROUND CONDITIONS IN THE FIELD AS DIRECTED BY THE ENGINEER.

FILE NAME =	USER NAME = steffanmk	DESIGNED -	REVISED -	STATE OF ILLINOIS DEPARTMENT OF TRANSPORTATION	RIPRAP DETAILS	F.A.P. RTE.	SECTION	COUNTY	TOTAL SHEETS	SHEET NO.	
c:\pwork\pwork\dot\stefanmk\dms52291\07	4213-shrt-culv.dgn	DRAWN -	REVISED -			823	21B-1	Edwards	24	8	
	PLOT SCALE = 50.0000' / IN.	CHECKED -	REVISED -			CONTRACT NO. 74213					
	PLOT DATE = 3/19/2009	DATE -	REVISED -			ILLINOIS FED. AID PROJECT					
						SCALE:	SHEET NO.	OF	SHEETS	STA.	TO STA.