

BIG MUDDY CREEK- PROPOSED TYPICAL SECTION

STA. 576+22.00 TO STA. 577+40.00

CONNECTOR/APPROACH PAVEMENT OMISSION

STA. 575+80.00 TO STA. 576+22.00

BRIDGE OMISSION

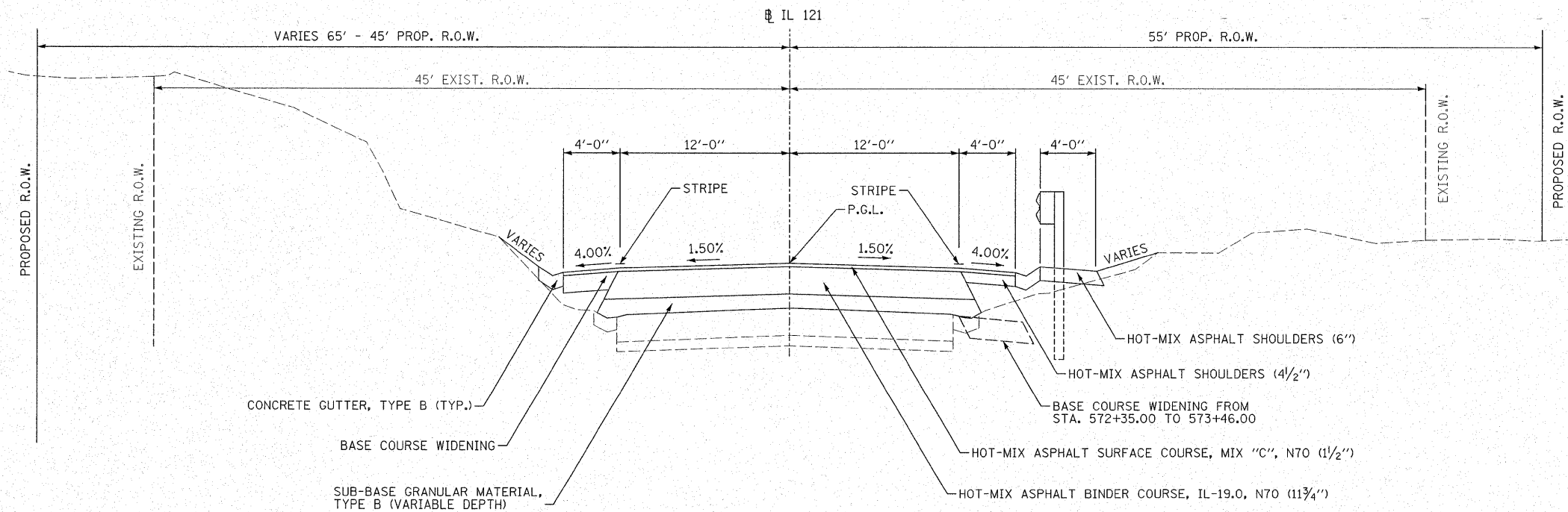
STA. 573+88.00 TO STA. 575+80.00

CONNECTOR/APPROACH PAVEMENT OMISSION

STA. 573+46.00 TO STA. 573+88.00

NOTES:

1. SEE CROSS SECTIONS FOR GRADING INFORMATION FROM SHOULDERS.
2. SEE SHEET NO. 10 FOR BENCHING DETAIL.



BIG MUDDY CREEK- PROPOSED TYPICAL SECTION

STA. 572+35.00 TO STA. 573+46.00

FILE NAME = #FILE#	USER NAME = #USER#	DESIGNED - SEM 03/26/08	REVISED -	STATE OF ILLINOIS DEPARTMENT OF TRANSPORTATION	IL 121 OVER BIG MUDDY CREEK PROPOSED TYPICAL SECTIONS	F.A.P. RTE.	SECTION	COUNTY	TOTAL SHEETS	SHEET NO.	
		DRAWN - WLL 09/23/08	REVISED -			773	(108BR-3, 109BIB-1)	CUMBERLAND	96	12	
		CHECKED - RJA 09/17/08	REVISED -			CONTRACT NO. 74237					
		DATE - 09/26/08	REVISED -			ILLINOIS FED. AID PROJECT					
					SCALE:	SHEET NO. OF SHEETS		STA. TO STA.			