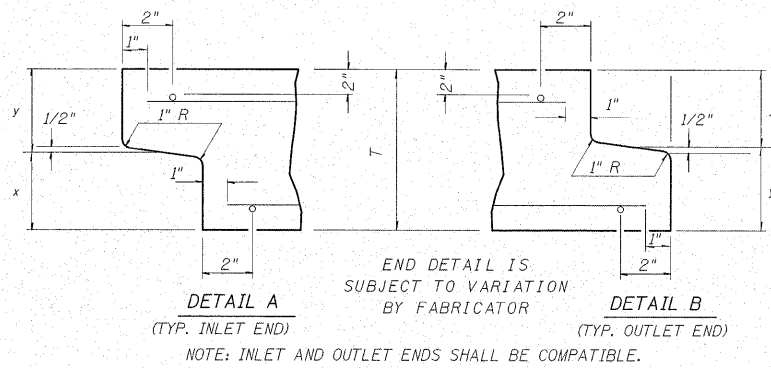


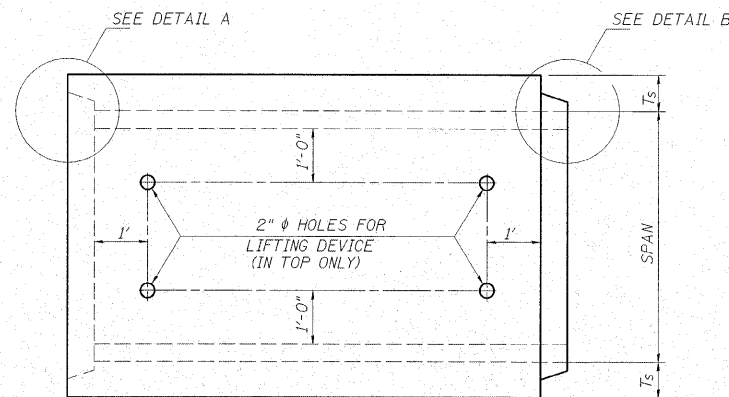
F.A. RTE.	SECTION	COUNTY	TOTAL SHEETS	SHEET NO.
773	(1088R-3, 1098B-1)	CUMBERLAND	96	34
STA.		TO STA.		
FED. ROAD DIST. NO.		ILLINOIS FED. AID PROJECT		

DETAIL OF PRECAST CONCRETE BOX CULVERT M273M

(WITH LESS THAN 2' OF COVER)
 AASHTO DESIGNATION M273M
 (ASTM DESIGNATION C-850M)
 DESIGN LOADING = MS18



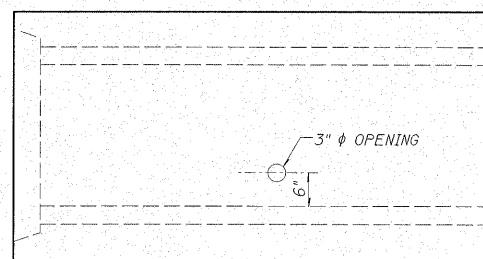
END DETAIL IS SUBJECT TO VARIATION BY FABRICATOR
 NOTE: INLET AND OUTLET ENDS SHALL BE COMPATIBLE.



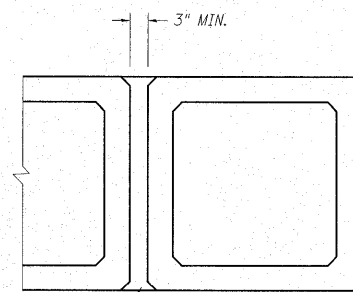
LOCATION OF LIFTING HOLES MAY BE VARIED AS NEEDED TO CLEAR REINFORCEMENT.

SECTION LENGTH

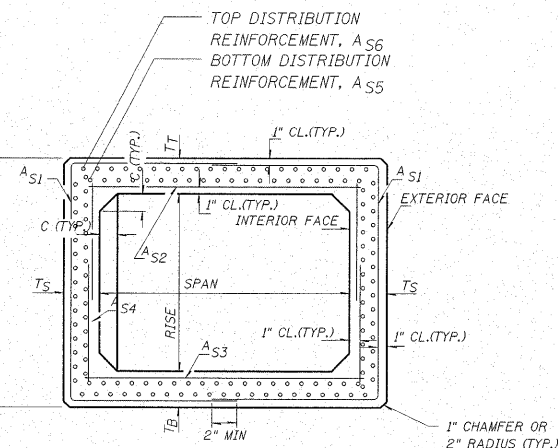
WHEN EXTENDING AN EXISTING BOX, PLACE THIS END AGAINST THE EXISTING HEADWALL.



ELEVATION



CLASS SI CONCRETE



LONGITUDINAL REINFORCEMENT

CROSS SECTION

GENERAL NOTES

SHOP PLANS FOR THE REINFORCEMENT SHALL BE SUBMITTED IN ACCORDANCE WITH THE REQUIREMENTS OF ARTICLE 504.04(d) OF THE STANDARD SPECIFICATIONS.

MINIMUM CONCRETE STRENGTH SHALL BE 5000 PSI AFTER 28 DAYS.

THE JOINTS OF THE PRECAST BOX SECTIONS SHALL BE SEALED IN ACCORDANCE WITH ARTICLE 542.04(d) OF THE STANDARD SPECIFICATIONS FOR ROAD AND BRIDGE CONSTRUCTION.

THE TERMS As1, As2, ETC. DENOTE THE REQUIRED STEEL AREAS FOR REINFORCEMENT AS SPECIFIED IN ASSHTO M273M.

REINFORCEMENT SHALL BE WELDED WIRE FABRIC CONFORMING TO ASSHTO M55M. LONGITUDINAL DISTRIBUTION REINFORCEMENT MAY CONSIST OF WELDED WIRE FABRIC OR DEFORMED BARS CONFORMING TO ASSHTO M31M, M42M, OR M53M, GRADE 400.

LIFTING HOLES SHALL BE FILLED WITH CONCRETE PLUGS AND MASTIC AFTER THE BOX SECTIONS ARE IN PLACE.

DRAINAGE OPENINGS SHALL BE PROVIDED IN ACCORDANCE WITH ARTICLE 503.12 OF THE STANDARD SPECIFICATIONS. LOCATION AND SPACING OF THE OPENINGS SHALL BE SHOWN ON THE SHOP DRAWINGS.

THE P.C.C. PAVEMENT PATCH REINFORCED WITH PAVEMENT FABRIC (STANDARD 420701) WILL BE CONSTRUCTED OVER THE CULVERT. THE PATCH SHALL BE FULL PAVEMENT WIDTH, AND THE LENGTH SHALL EXTEND 2" BEYOND EACH SIDE OF THE CULVERT.

SPAN	RISE	DIMENSIONS (INCHES)		
		Tt	Tb	Ts
3	2	7	6	4
3	3	7	6	4
4	2	7 1/2	6	5
4	3	7 1/2	6	5
4	4	7 1/2	6	5
5	3	8	7	6
5	4	8	7	6
5	5	8	7	6
6	3	8	7	7
6	4	8	7	7
6	5	8	7	7
6	6	8	7	7
7	4	8	8	8
7	5	8	8	8
7	6	8	8	8
7	7	8	8	8
8	4	8	8	8
8	5	8	8	8
8	6	8	8	8
8	7	8	8	8
8	8	8	8	8
9	5	9	9	9
9	6	9	9	9
9	7	9	9	9
9	8	9	9	9
9	9	9	9	9
10	5	10	10	10
10	6	10	10	10
10	7	10	10	10
10	8	10	10	10
10	9	10	10	10
10	10	10	10	10
11	4	11	11	11
11	6	11	11	11
11	8	11	11	11
11	10	11	11	11
11	11	11	11	11
12	4	12	12	12
12	6	12	12	12
12	8	12	12	12
12	10	12	12	12
12	12	12	12	12

REVISIONS	
NAME	DATE
JEH	06/01

ILLINOIS DEPARTMENT OF TRANSPORTATION

DETAIL OF PRECAST CONCRETE BOX CULVERT SECTION

SCALE: VERT. HORIZ. DATE REVISD: 05/28-99 CHECKED BY

1 2 3 4 5 6 7 8 9 \$\$\$DATE\$\$\$
 10 11 12 13 14 15 16 17 18 *DGN-SPEC*
 19 20 21 22 23 24 25 26 27 MMO REV: MMO
 28 29 30 31 32 33 34 35 36
 37 38 39 40 41 44 45
 46 47 48 49 50 51 52 53 54
 55 56 57 58 59 60 61 62 63
EC850

PLOT DATE = \$\$\$DATE\$\$\$
 FILE NAME = \$\$\$FILE\$\$\$
 PLOT SCALE = \$\$\$SCALE\$\$\$
 USER NAME = \$\$\$USER\$\$\$