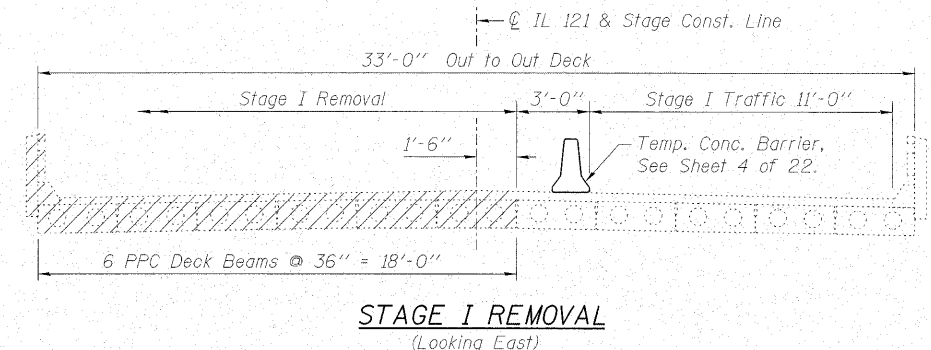


STATE OF ILLINOIS
DEPARTMENT OF TRANSPORTATION

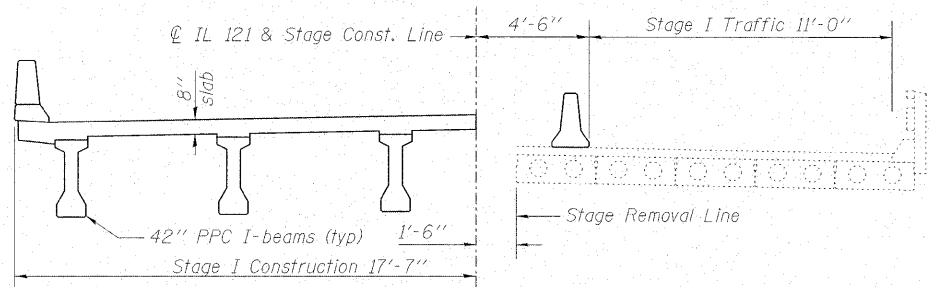
ROUTE NO.	SECTION	COUNTY	TOTAL SHEETS	SHEET NO.
FAP 773 IL 121	(108BR-3)B-1	CUMBERLAND	96	38
FED. ROAD DIST. NO.	ILLINOIS	FED. AID PROJECT-		

SHEET NO. 3
22 SHEETS

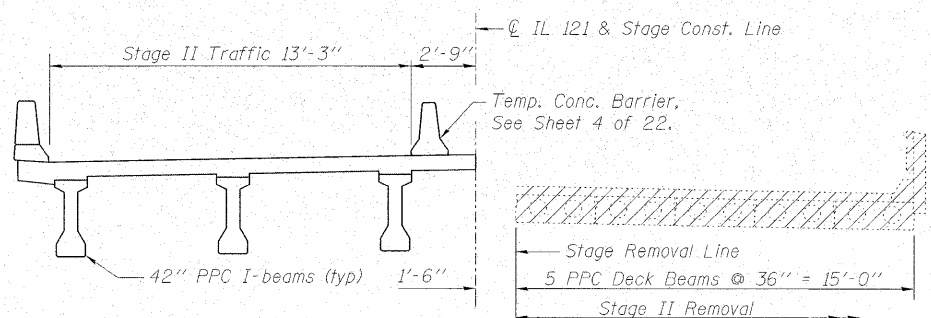
Contract # 74237



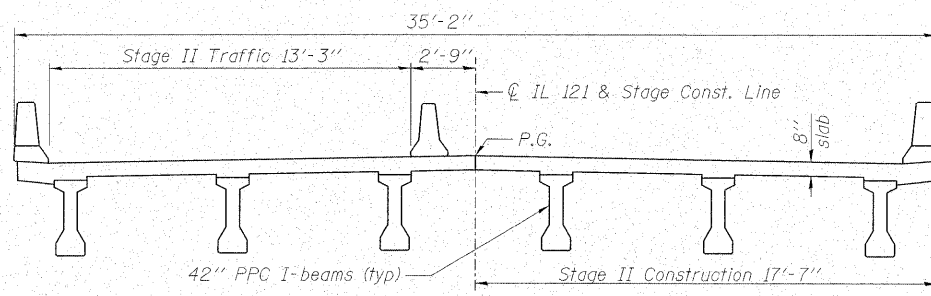
STAGE I REMOVAL
(Looking East)



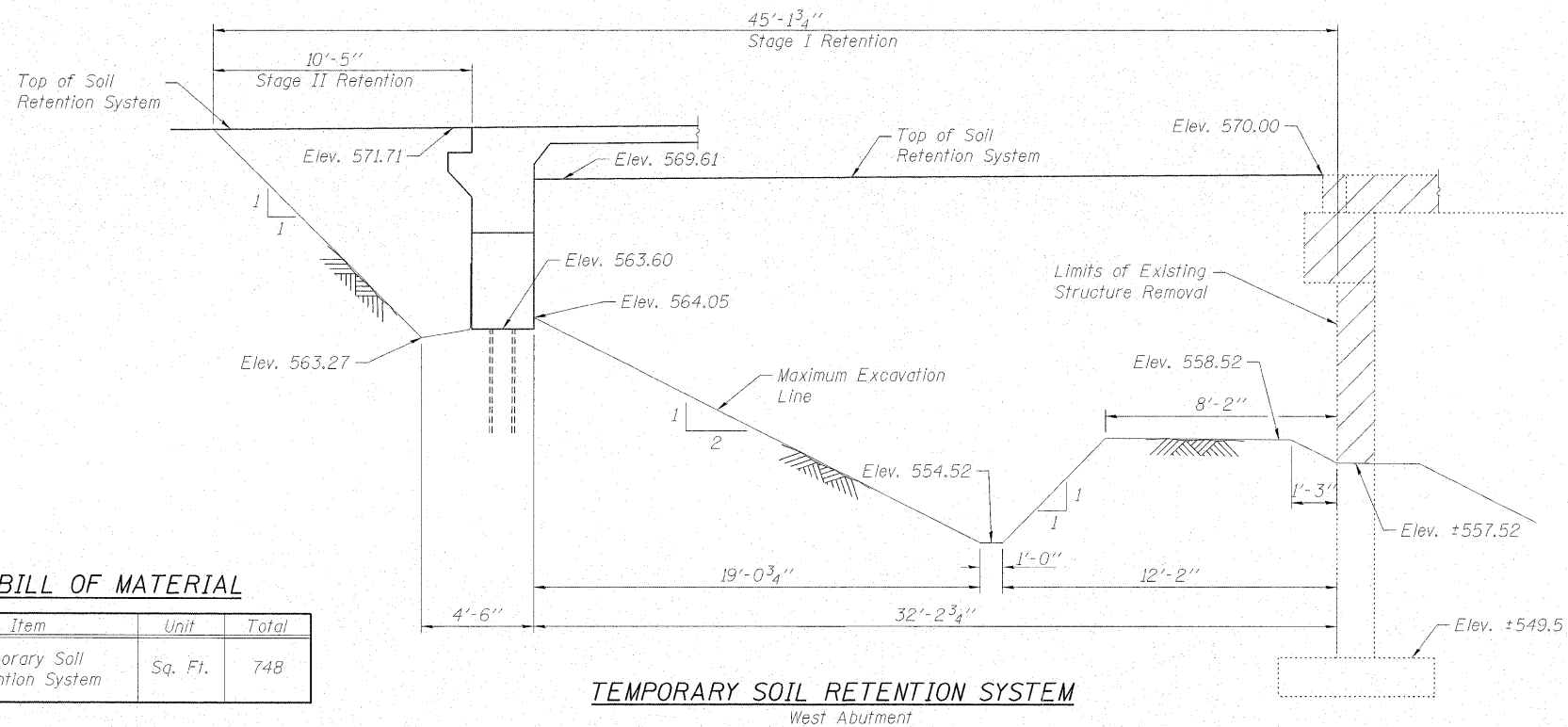
STAGE I CONSTRUCTION
(Looking East)



STAGE II REMOVAL
(Looking East)



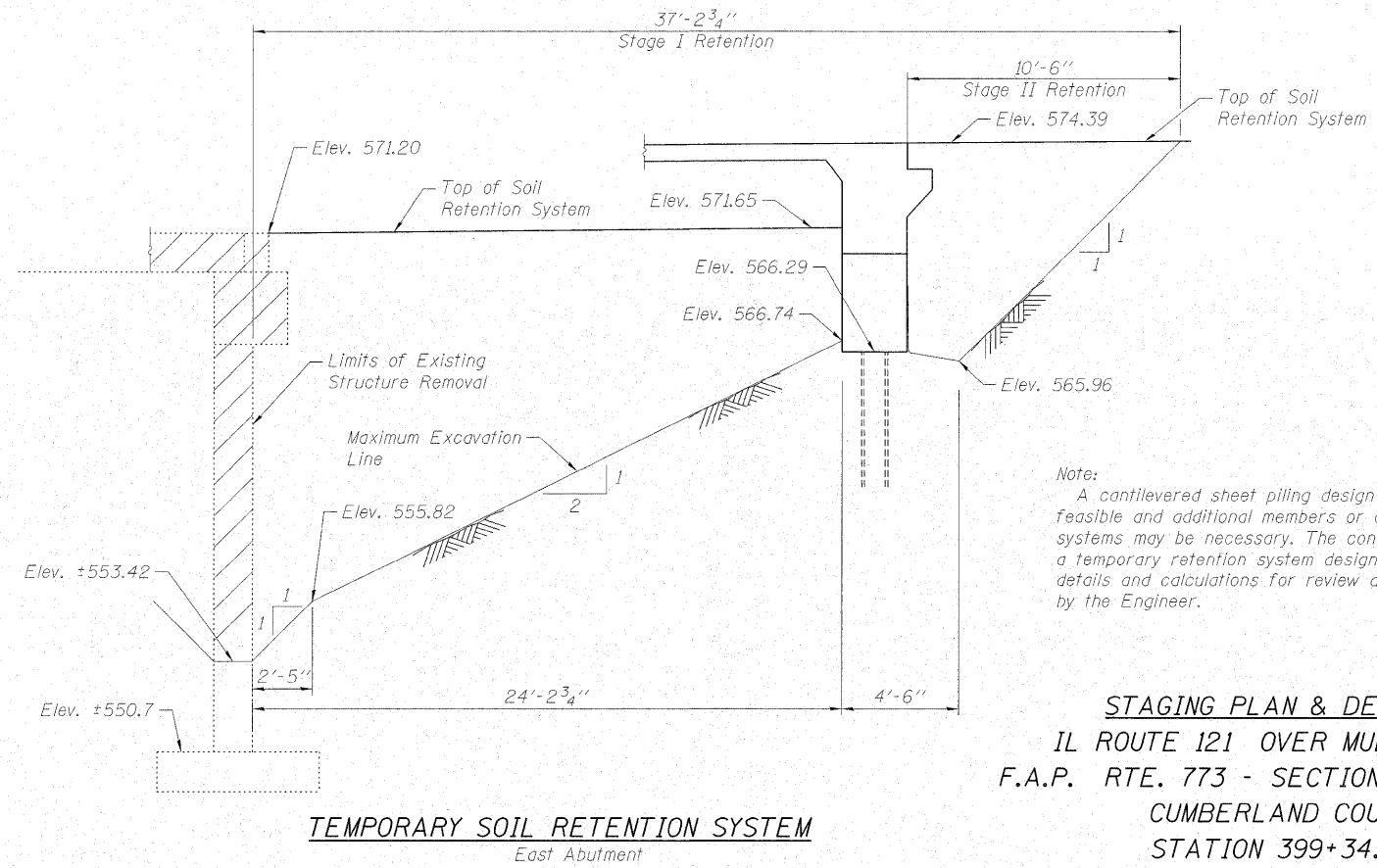
STAGE II CONSTRUCTION
(Looking East)



TEMPORARY SOIL RETENTION SYSTEM
West Abutment

BILL OF MATERIAL

Item	Unit	Total
Temporary Soil Retention System	Sq. Ft.	748



TEMPORARY SOIL RETENTION SYSTEM
East Abutment

Note:
A cantilevered sheet piling design does not appear feasible and additional members or other retention systems may be necessary. The contractor shall submit a temporary retention system design including plan details and calculations for review and acceptance by the Engineer.

STAGING NOTES:

- Hatched areas indicate "Removal of Existing Structures".
- For quantities of "Temporary Concrete Barrier", see Roadway Plans.

STAGING PLAN & DETAILS
IL ROUTE 121 OVER MULE CREEK
F.A.P. RTE. 773 - SECTION (108BR-3)B-1
CUMBERLAND COUNTY
STATION 399+34.00
STRUCTURE NO. 018-0062



DESIGNED - BAS
CHECKED - KEF
DRAWN - LAD
CHECKED - RJA