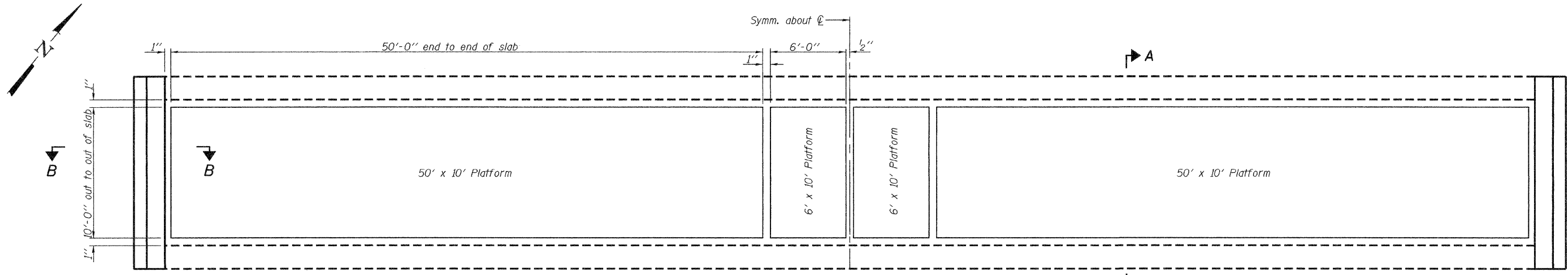
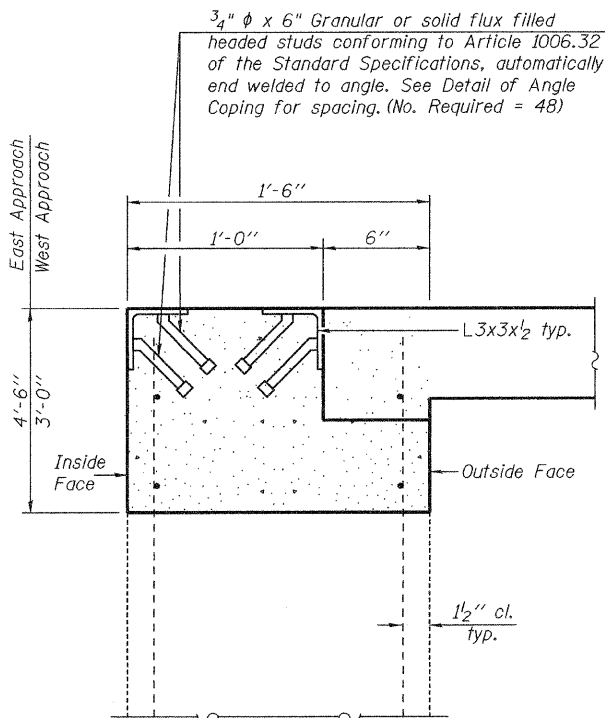


STATE OF ILLINOIS
DEPARTMENT OF TRANSPORTATION



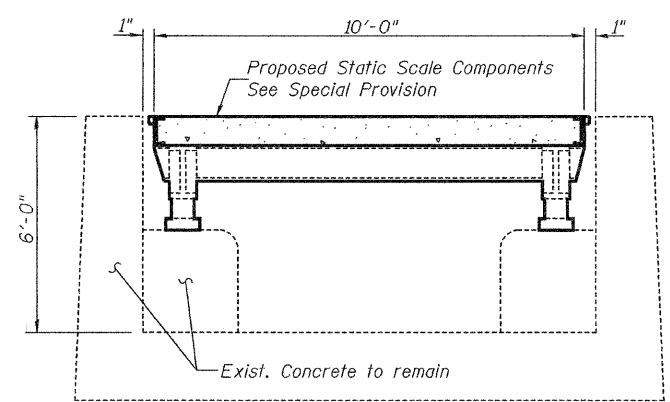
PLAN
STATIC SCALE COMPONENTS
(Pit entrance not shown)



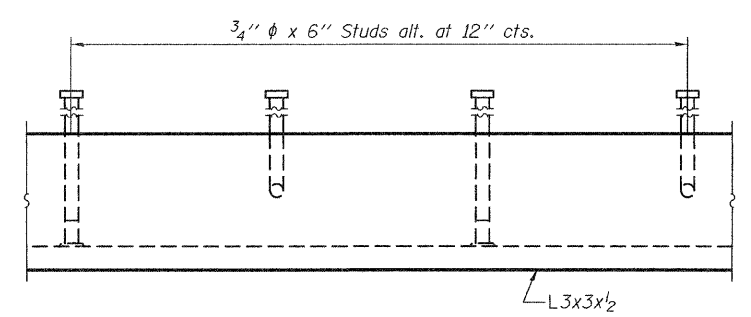
3/4" ϕ x 6" Granular or solid flux filled headed studs conforming to Article 1006.32 of the Standard Specifications, automatically end welded to angle. See Detail of Angle Coping for spacing. (No. Required = 48)

DETAIL A
(Side walls shown, End walls similar.)

After welding, angles and studs shall be galvanized according to AASHTO M111. No field painting required. Angle coping and studs paid for as Furnishing and Erecting Structural Steel. (44'-8" length of Angle Coping required)

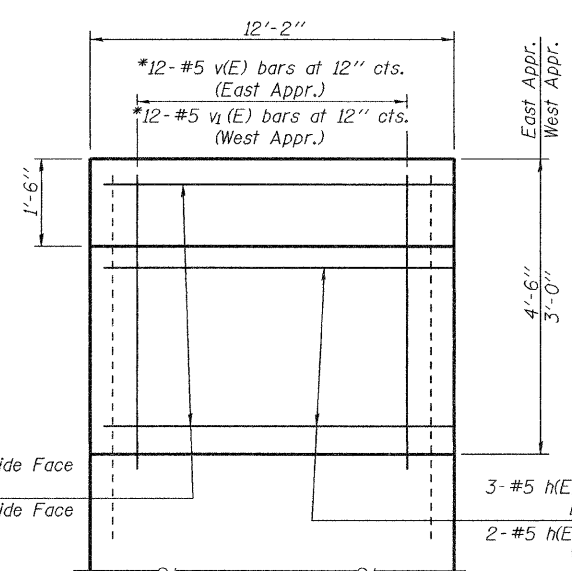


SECTION A-A

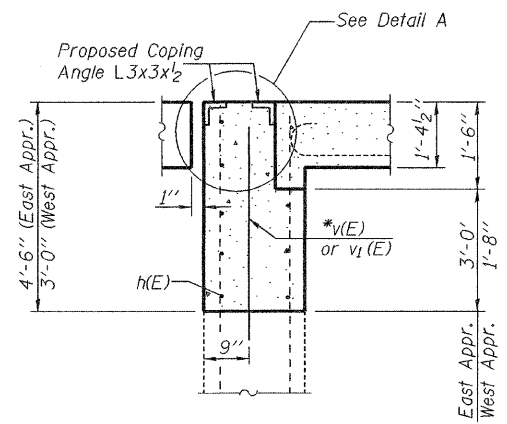


DETAIL OF COPING ANGLE

MIN. BAR LAP
#5 Bar = 1'-8"



ELEVATION
(End View)



SECTION B-B

BILL OF MATERIAL

Bar	No.	Size	Length	Shape
h(E)	14	#5	11'-11"	—
v(E)	12	#5	5'-1"	—
v1(E)	12	#5	3'-7"	—
Reinforcement Bars, Epoxy Coated			Pound	280
Concrete Structures			Cu. Yd.	4.3
Furnishing and Erecting Structural Steel			Pound	460

*Drill 7/8" ϕ x 9" hole and epoxy grout #5 v(E) and v1(E) bars as per Article 584 of the Standard Specifications.

CONCRETE BACKWALL DETAILS
STA. 905+34.94 (E.B.)

DESIGNED	Patrick M. Petrone
CHECKED	Jay D. Edwards
DRAWN	BECKY M. LEACH
CHECKED	PMP/JDE

MAY 4, 2009
EXAMINED *Thomas J. Damagala*
ENGINEER OF BRIDGE DESIGN
PASSED *Ralph E. Anderson*
ENGINEER OF BRIDGES AND STRUCTURES

SHEET NO. 4 5 SHEETS	F.A.I. RTE.	SECTION	COUNTY	TOTAL SHEETS	SHEET NO.
	70	D-7 WEIGH STATION	FAYETTE	8	7
FED. ROAD DIST. NO.			ILLINOIS FED. AID PROJECT		
			CONTRACT NO. 74370		