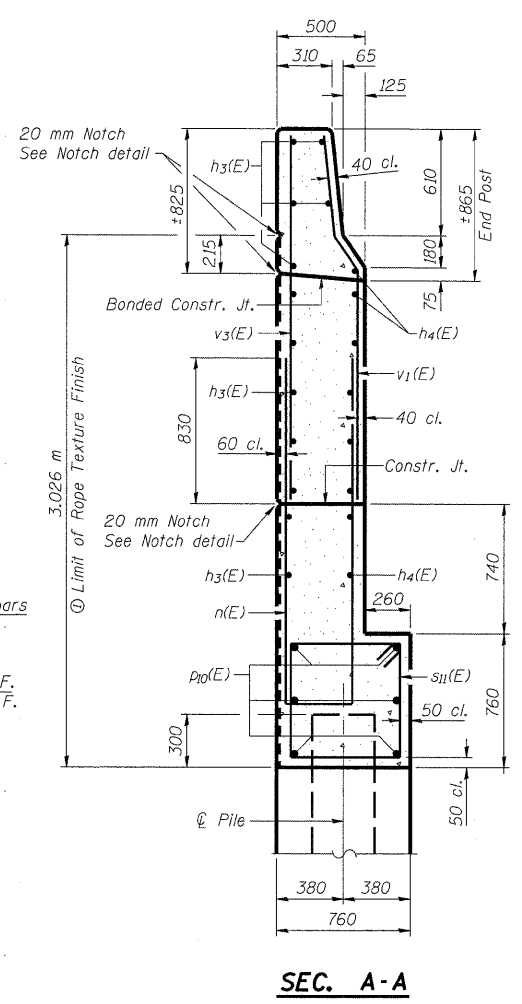
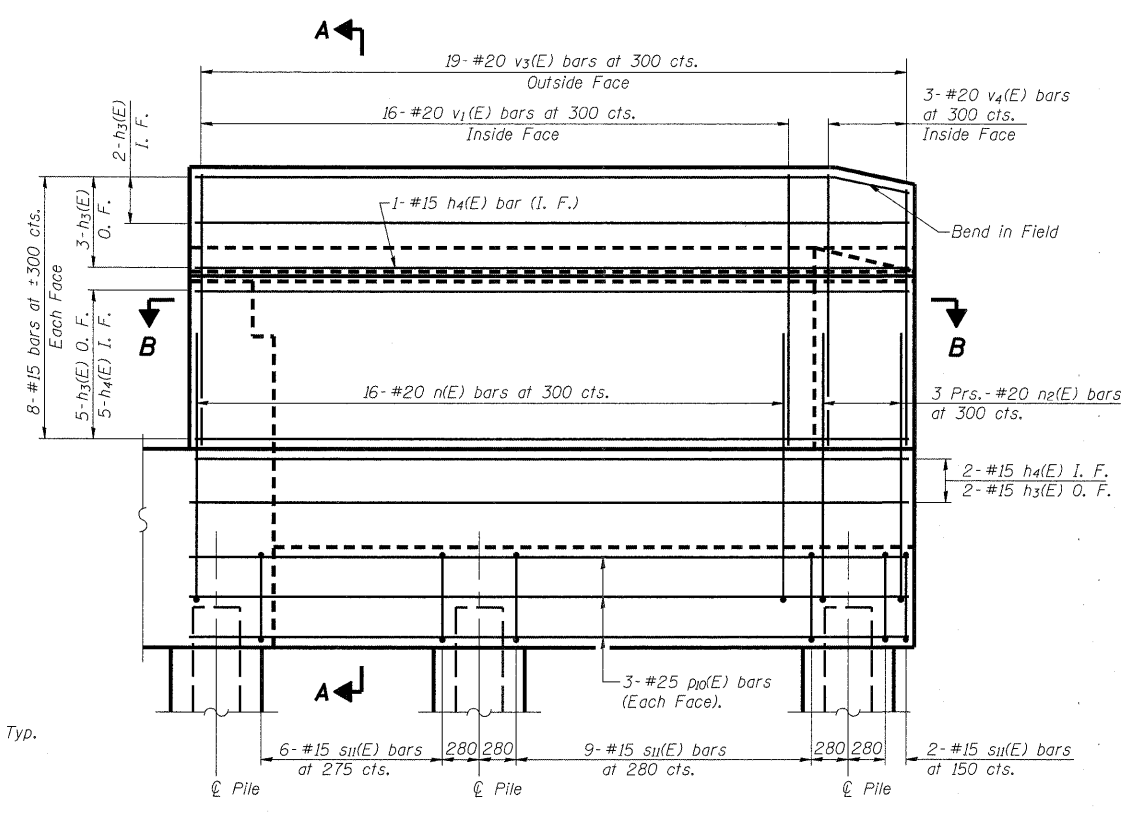
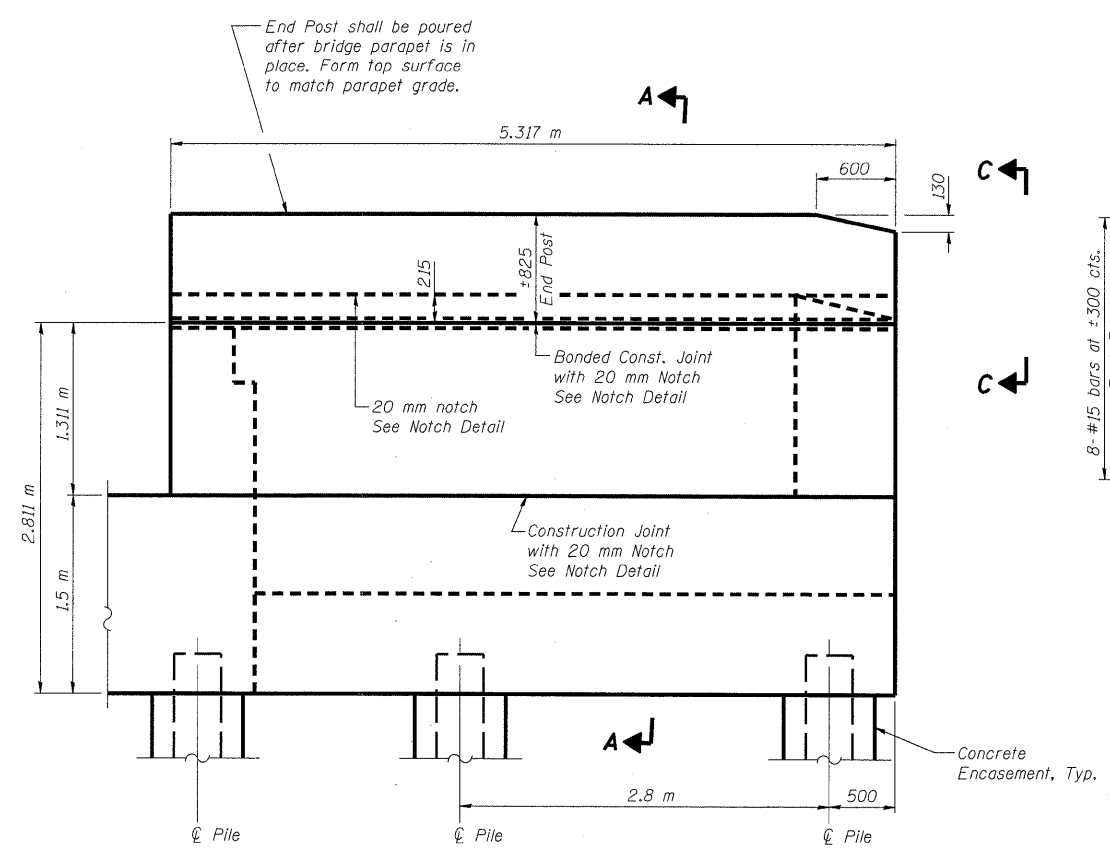
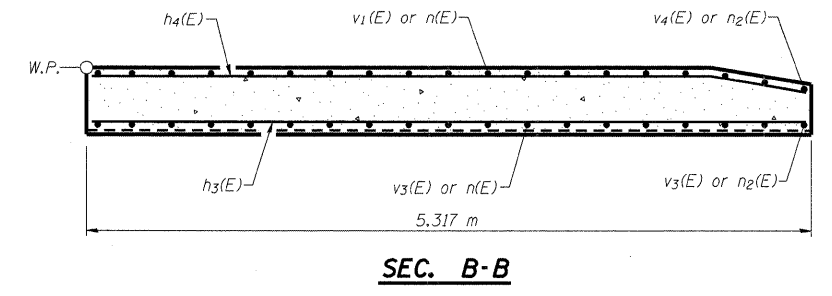
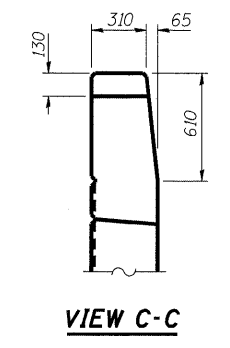
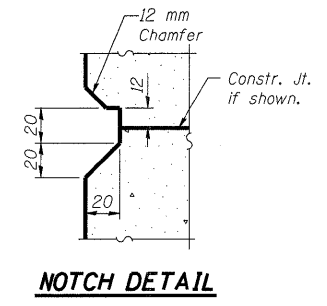


10/30/24 AM
 p:\007\1es\2000024\cfa\1-road-Bridge-SN060-0310\Plans\060-0310EastAbutment.dgn

ROUTE NO.	SECTION	COUNTY	SHEETS	SHEET NO.
S.B.L.				22
P.A.P. 310	*	MADISON	149 53	36 SHEETS
FED. ROAD DIST. NO. 7	SUBMIT	FED. AID PROJECT		

Contract #76634 * 60-15VB-1 & 2



DESIGNED	ADL
CHECKED	WLW
DRAWN	RLW/ADL
CHECKED	WLW

Notes:
 Work this sheet with sheets #20, 21 & 23 of 36.
 Quantity of concrete in end post included with Concrete Superstructure on sheet #14 of 36.

⊙ Patterned Rope Texture Concrete
 (See Sheet #4 of 36 for details)

EAST ABUTMENT DETAILS
FAP RTE. 310 (IL RTE. 255) NB & RAMP C OVER
UNION PACIFIC & KANSAS CITY SOUTHERN R.R.
SECTION 60-15VB-1 & 2
MADISON COUNTY
STATION 39+160.297
STRUCTURE NUMBER 060-0310

Klingner & Assoc., P.C.