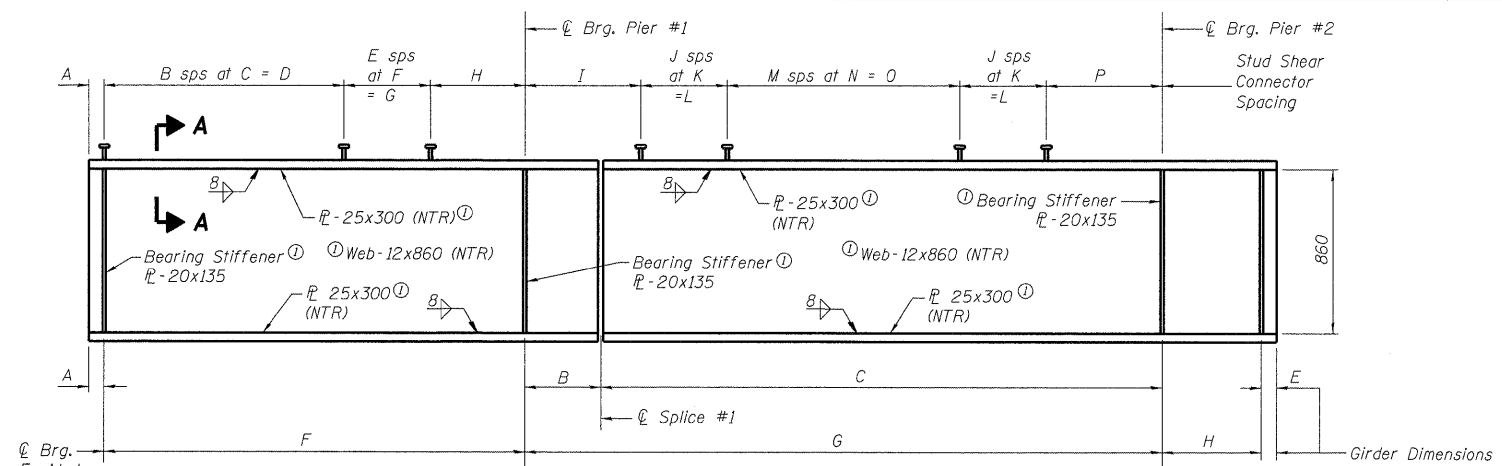


5/7/2009 10:47:07 AM

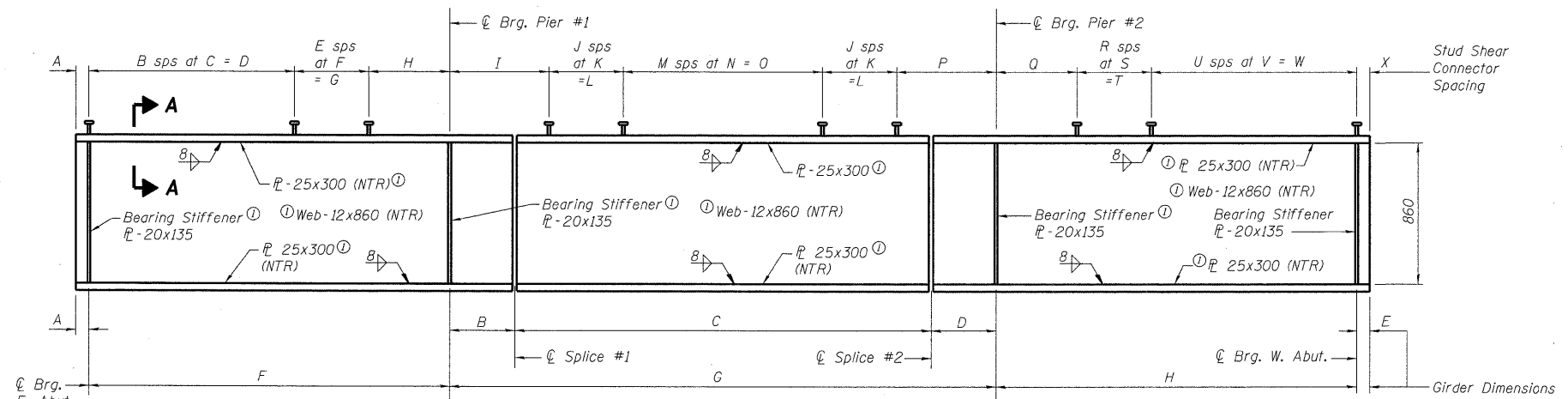
p:\001\les\000024\road\road-Bridge\060-0311 Framing Plan.dgn

ROUTE NO.	SECTION	COUNTY	SHEET NO.	SHEET NO.
F. A. P. 310	*	MADISON	149	87
FED. ROAD DIST. NO. 7 ILLINOIS FED. AID PROJECT				
Contract #76634				
* 60-15VB-1 & 2				



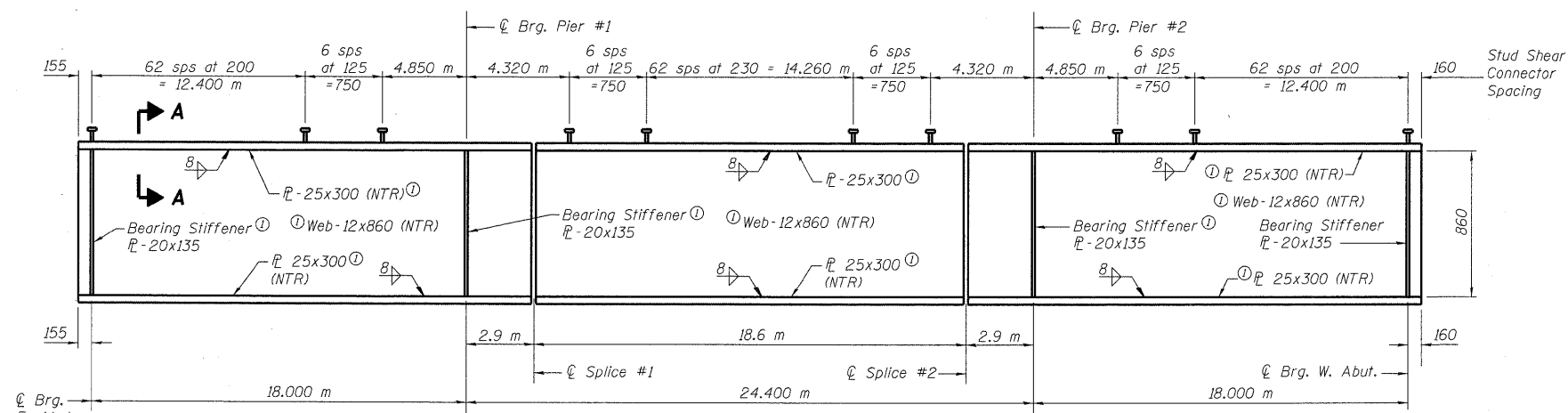
**GIRDER ELEVATION (GIRDERS 2 & 4)**

"NTR" denotes plates to which notch toughness requirements are applicable.



**GIRDER ELEVATION (GIRDERS 1 & 3)**

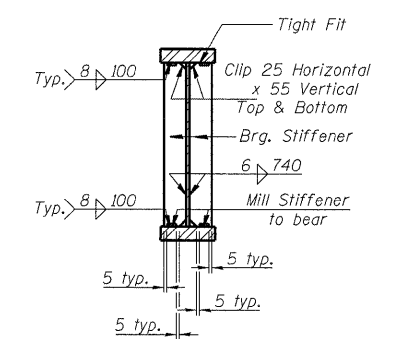
"NTR" denotes plates to which notch toughness requirements are applicable.



**GIRDER ELEVATION (GIRDERS 5-11)**

"NTR" denotes plates to which notch toughness requirements are applicable.

Ⓛ Indicates structural steel conforming to AASHTO M270M Grade 345.



**SECTION THRU BEARING STIFFENER AT ABUTMENTS AND PIERS**

DESIGNED	ADL
CHECKED	WLW
DRAWN	RJP
CHECKED	WLW

**GIRDER DETAILS**  
**FAP RTE 310 (IL RTE 255) SB & RAMP D OVER**  
**UNION PACIFIC & KANSAS CITY SOUTHERN R.R.**  
**SECTION 60-15VB-1 & 2**  
**MADISON COUNTY**  
**STATION 39+160.297**  
**STRUCTURE NUMBER 060-0311**

Klingner & Assoc., P.C.