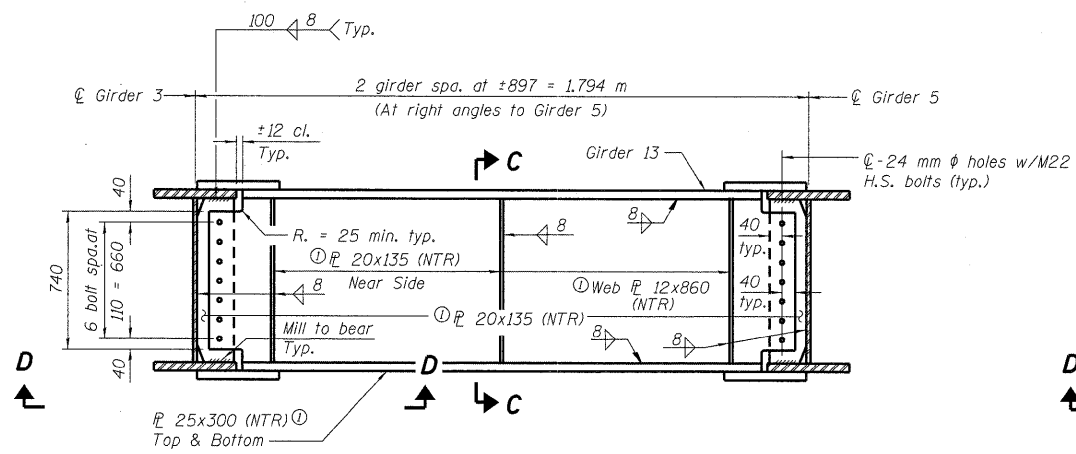


5/7/2009 10:47:18 AM

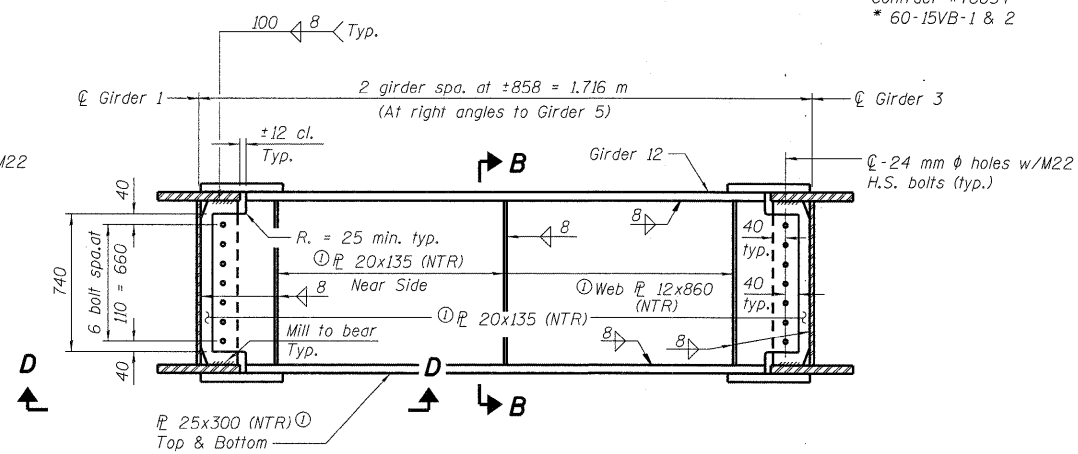
pr:\00f1\les\000024\Railroad-Bridge\060-0311\Plan.dgn

ROUTE NO.	SECTION	COUNTY	TOTAL SHEETS	SHEET NO.	SHEET NO. 21
S. B. L.	*	MADISON	149	88	45 SHEETS
F. A. P. 330					
FED. ROAD DIST. NO. 7	ILLINOIS	FED. AID PROJECT			

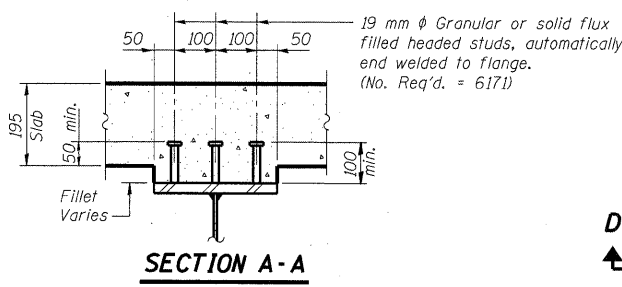
Contract #76634
* 60-15VB-1 & 2



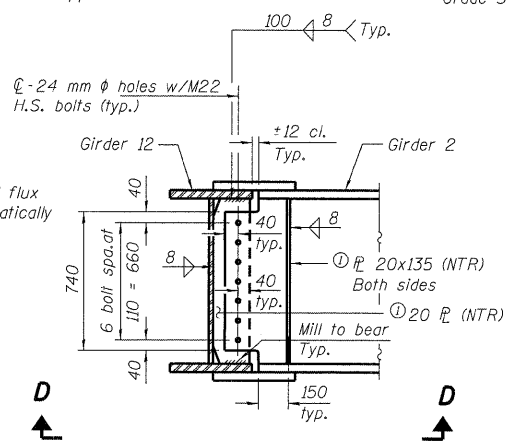
GIRDER 13 ELEVATION
(Girder 4 omitted for clarity. See Section C-C.)
"NTR" denotes plates to which notch toughness requirements are applicable.



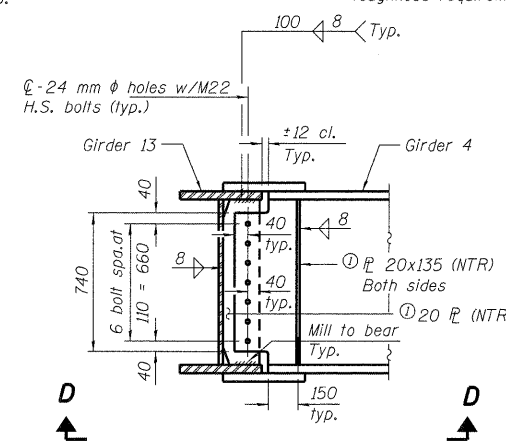
GIRDER 12 ELEVATION
(Girder 2 omitted for clarity. See Section B-B.)
"NTR" denotes plates to which notch toughness requirements are applicable.



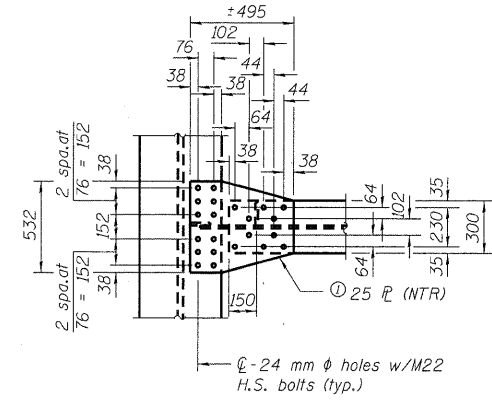
SECTION A-A



SECTION B-B



SECTION C-C



SECTION D-D

STUD SHEAR CONNECTOR SPACING

	A	B	C	D	E	F	G	H	I	J	K	L	M	N	O	P	Q	R	S	T	U	V	W	X
Girder 1	155	62	215	13.330 m	5	125	625	4.993 m	4.762 m	6	100	600	45	340	15.300 m	4.423 m	6.993 m	3	250	750	27	415	11.205 m	160
Girder 2	155	62	215	13.330 m	5	125	625	4.734 m	4.972 m	6	100	600	45	330	14.850 m	4.312 m								
Girder 3	155	62	215	13.330 m	5	125	625	4.487 m	5.069 m	6	100	600	45	325	14.625 m	4.105 m	7.162 m	3	250	750	27	390	10.530 m	160
Girder 4	155	62	210	13.020 m	5	125	625	4.569 m	4.705 m	6	100	600	45	320	14.400 m	4.385 m								

GIRDER DIMENSIONS

	A	B	C	D	E	F	G	H
Girder 1	155	3.053 m	19.579 m	3.053 m	160	18.948 m	25.685 m	18.948 m
Girder 2	155	3.011 m	22.323 m		251	18.689 m	25.334 m	5.547 m
Girder 3	155	2.971 m	19.093 m	2.935 m	160	18.442 m	24.999 m	18.442 m
Girder 4	155	2.935 m	21.755 m		251	18.214 m	24.690 m	4.667 m

DESIGNED	ADL
CHECKED	WLW
DRAWN	RJP
CHECKED	WLW

GIRDER DETAILS
FAP RTE 310 (IL RTE 255) SB & RAMP D OVER
UNION PACIFIC & KANSAS CITY SOUTHERN R.R.
SECTION 60-15VB-1 & 2
MADISON COUNTY
STATION 39+160.297
STRUCTURE NUMBER 060-0311