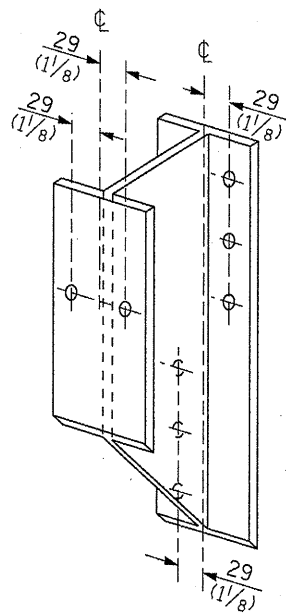
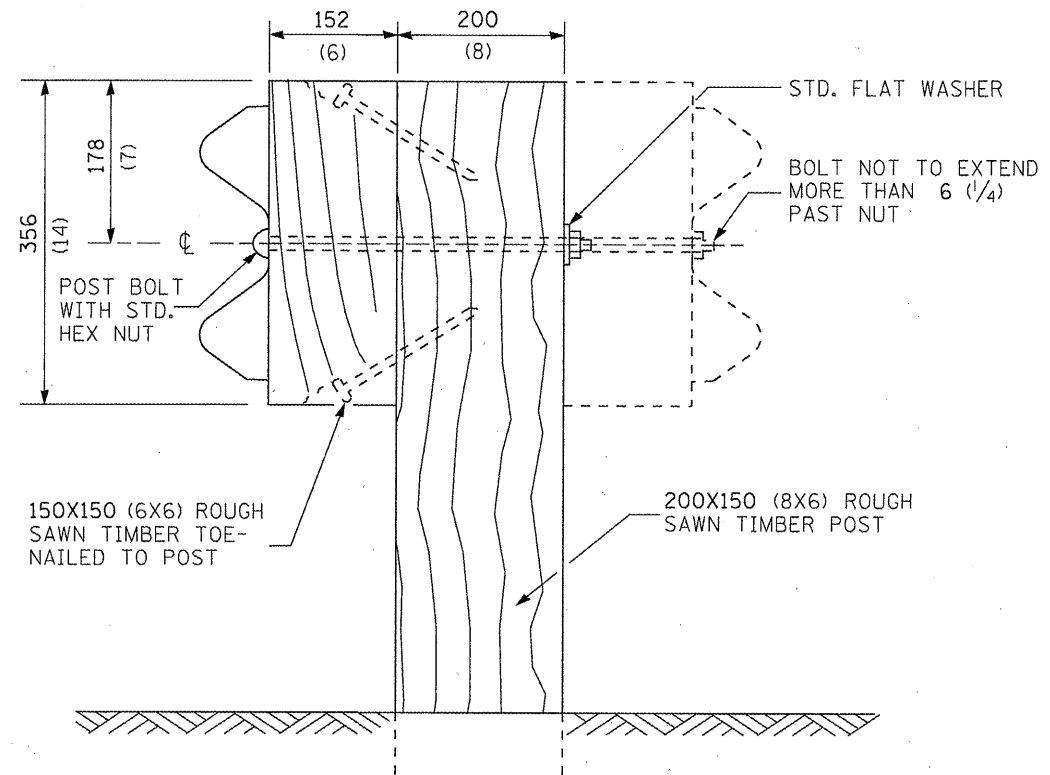


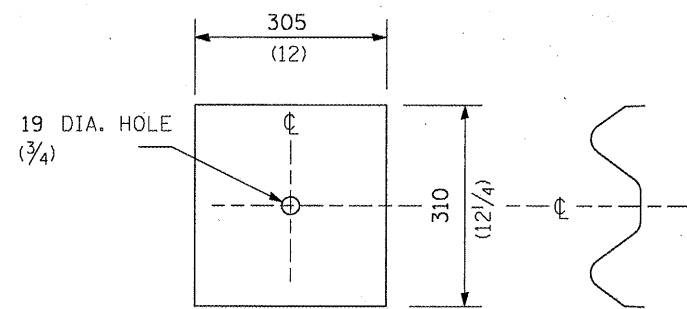
STEEL POST CONSTRUCTION



STEEL BLOCK-OUT DETAIL



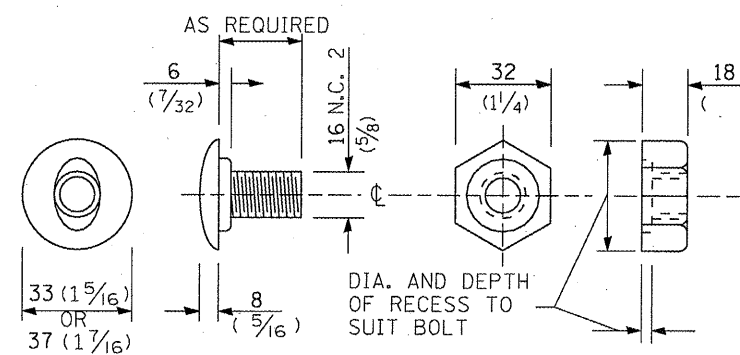
WOOD POST CONSTRUCTION



NOTE

PLATE A SHALL BE PLACED BETWEEN RAIL ELEMENT AND BLOCK-OUT AT NON-SPLICE MOUNTING POINTS ONLY WHEN STEEL BLOCK-OUTS ARE USED.

PLATE A



POST OR SPLICE BOLT & NUT

|             |                      |            |           |
|-------------|----------------------|------------|-----------|
| FILE NAME = | USER NAME = #USER#   | DESIGNED - | REVISED - |
| #FILE#      |                      | DRAWN -    | REVISED - |
|             | PLOT SCALE = #SCALE# | CHECKED -  | REVISED - |
|             | PLOT DATE = #DATE#   | DATE -     | REVISED - |

STATE OF ILLINOIS  
DEPARTMENT OF TRANSPORTATION

STEEL PLATE BEAM GUARDRAIL DETAIL

SCALE: SHEET NO. 2 OF 4 SHEETS STA. TO STA.

|   |             |         |                    |           |
|---|-------------|---------|--------------------|-----------|
| F.A.P. RTE.                                     | SECTION     | COUNTY  | TOTAL SHEETS       | SHEET NO. |
| 594   | (61-63)RS-3 | MADISON | 40                 | 28        |
| FED. ROAD DIST. NO. - ILLINOIS FED. AID PROJECT |             |         | CONTRACT NO. 76B71 |           |