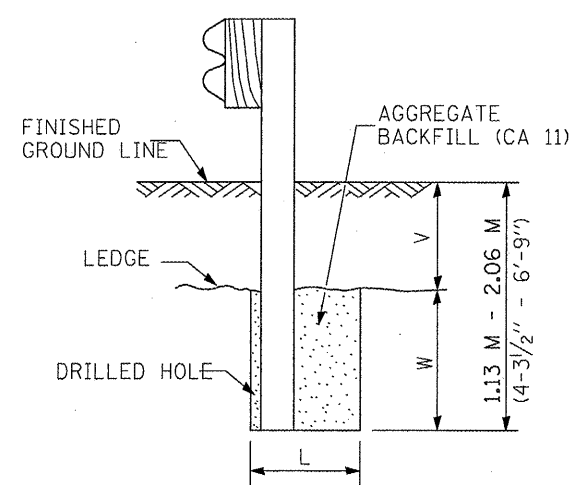


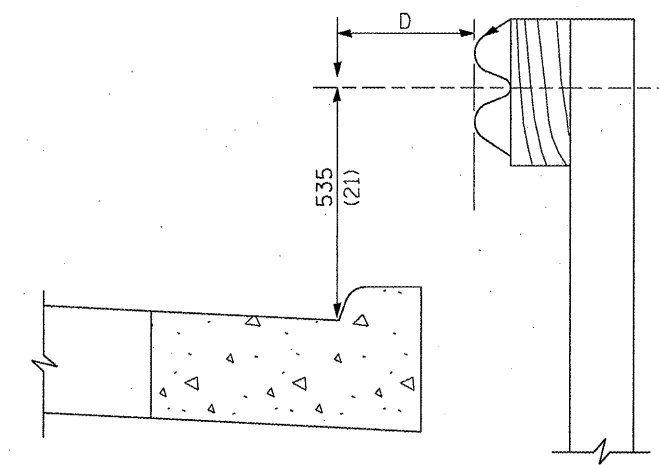
PLAN



ELEVATION

NOTE:
LEDGE LINE IS TOP OF ROCK
LEDGE OR HARD SLAG FILL.

FOOTING FOR POST WHEN IMPERVIOUS
MATERIAL IS ENCOUNTERED

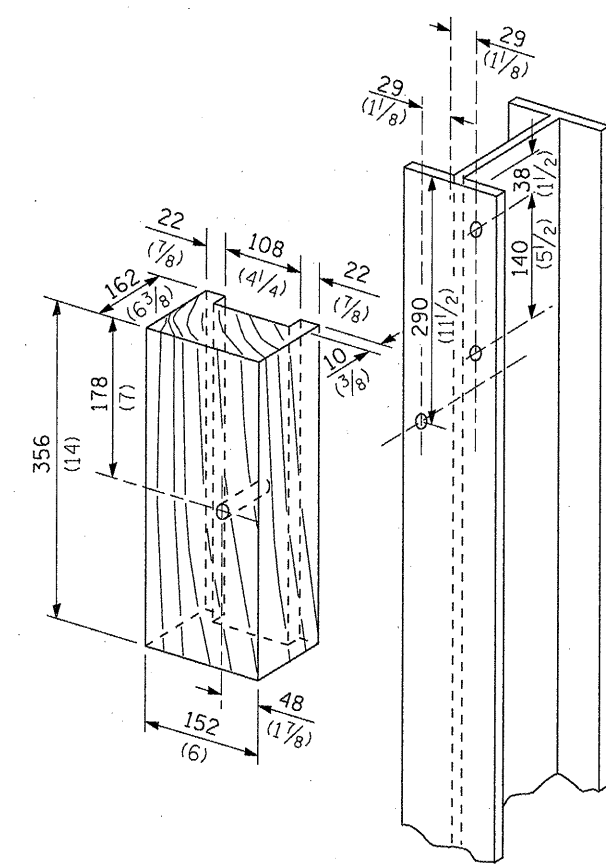


NOTE:
IF IT IS NECESSARY FOR D TO BE MORE THAN 300 (12) AND
LESS THAN 3.0 M (10'-0") TYPE M-5 (M-2) CURB AND GUTTER
(STD. 606001) SHALL BE USED IN FRONT OF AND IN ADVANCE
OF THE GUARDRAIL.

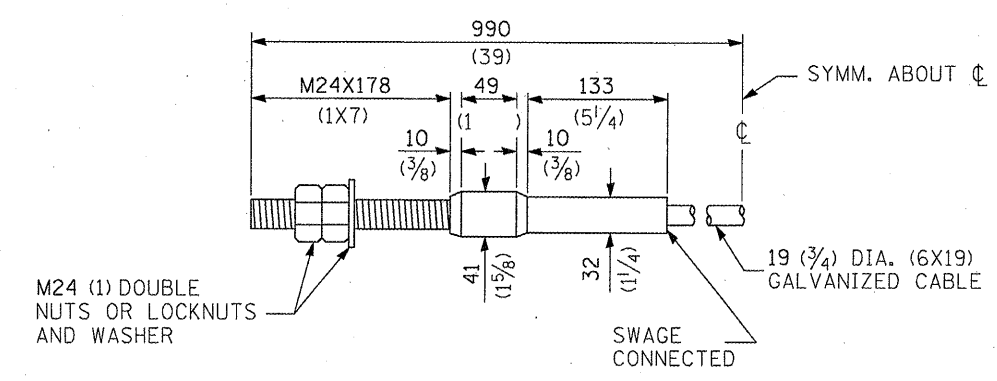
GUARDRAIL PLACED BEHIND CURB

(D = 0 DESIRABLE TO 300 (12) MAXIMUM)

V	W	L	
		STEEL POST	WOOD POST
0 - 460 (0 - 18)	610 (24)	530 (21)	580 (23)
>460 - 825 (>18 - 41.5)	305 (12)	203 (8)	250 (10)
>825 - 1.13 M (>41.5 - 53.5)	305 - 0 (12 - 0)	203 (8)	250 (10)



WOOD BLOCK-OUT AND
STEEL POST DETAILS



CABLE ASSEMBLY

(18,100 KG (40,000 LBS.) MIN. BREAKING STRENGTH)
TIGHTEN TO TAUT TENSION.