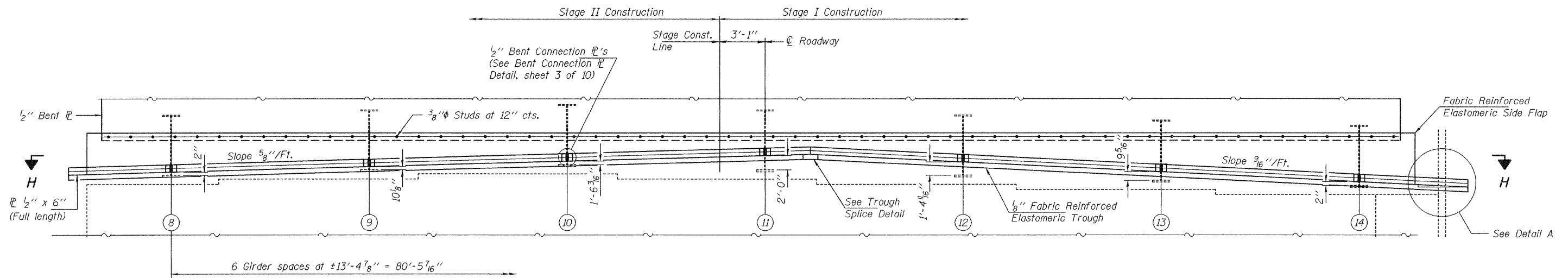
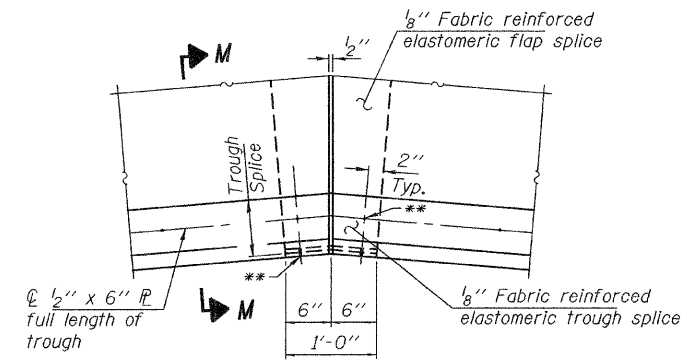


STATE OF ILLINOIS  
DEPARTMENT OF TRANSPORTATION

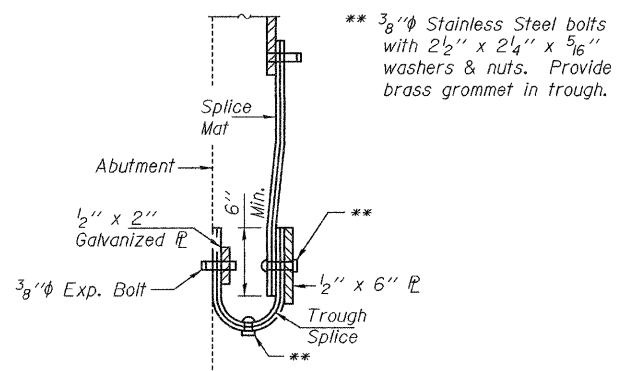


**VIEW E-E**

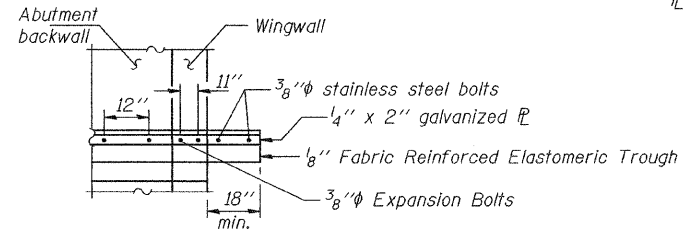
(Horizontal dimensions are measured along skew.)



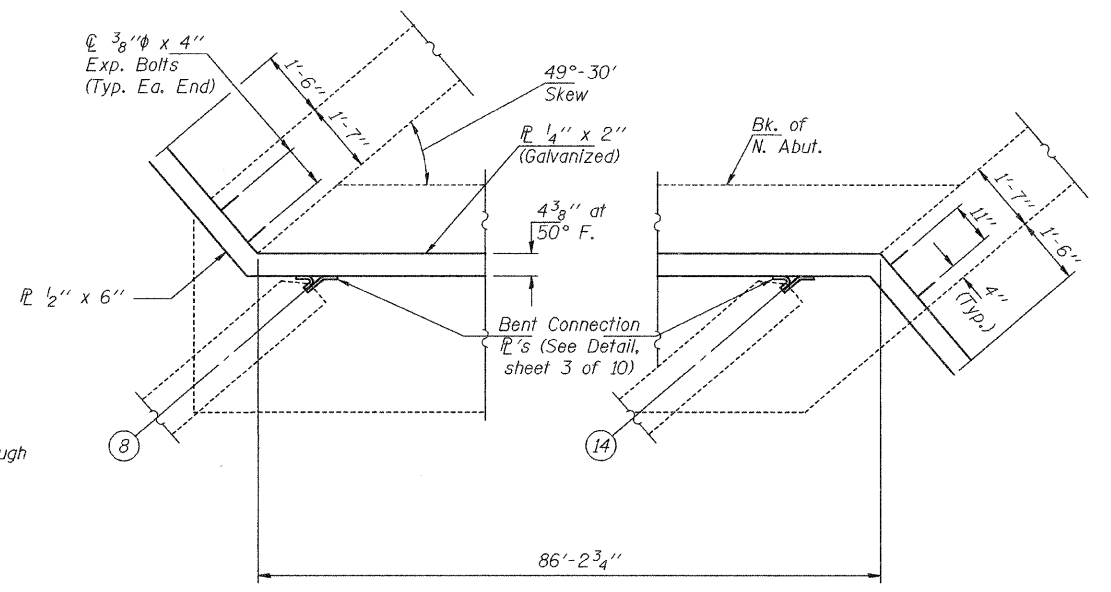
**TROUGH SPLICE DETAIL**



**SECTION M-M**



**DETAIL A**



**SECTION H-H**

DESIGNED	AJB
CHECKED	VHV
DRAWN	Kyle M. Steffen
CHECKED	AJB VHV

APRIL 27, 2009  
 EXAMINED *Carl Krueger*  
 ENGINEER OF STRUCTURAL SERVICES  
 PASSED *Ralph E. Anderson*  
 ENGINEER OF BRIDGES AND STRUCTURES

**TROUGH DETAILS**  
SN 082-0245 (N.B.)

SHEET NO. 6 10 SHEETS	F.A.I. RTE.	SECTION	COUNTY	TOTAL SHEETS	SHEET NO.
	255	-	ST. CLAIR	21	17
FED. ROAD DIST. NO.			ILLINOIS	FED. AID PROJECT	
			CONTRACT NO. 76067		