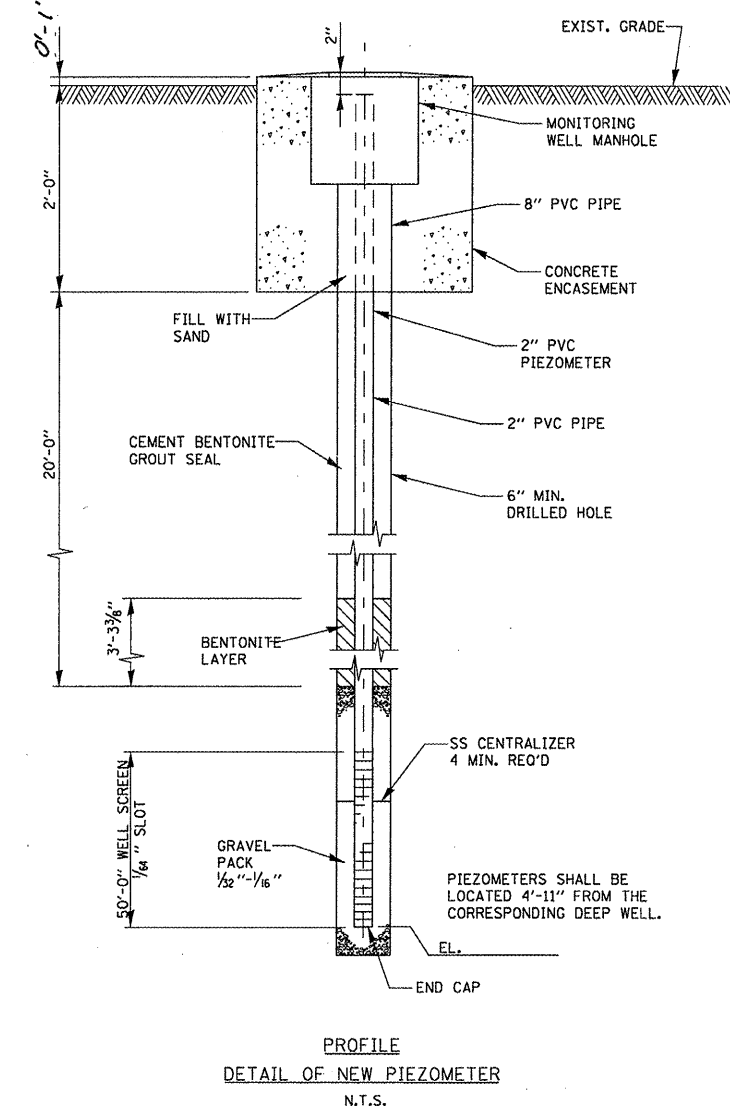
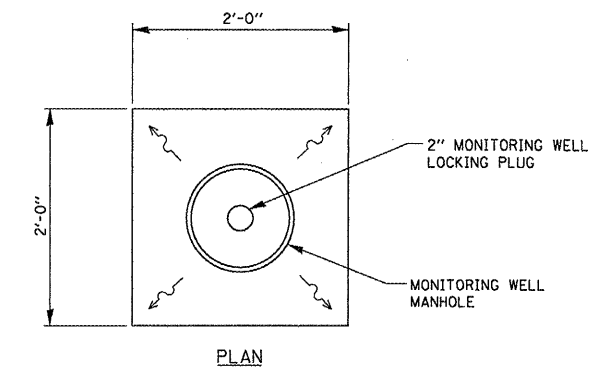
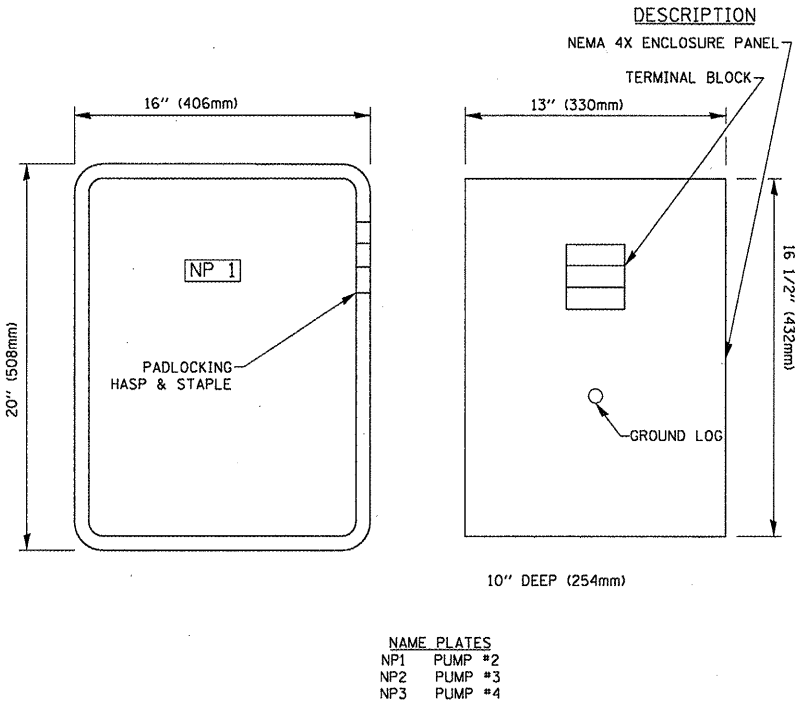


- LEGEND**
- 1 NEW 8" 304 L SS 90° ELBOW W/2'-0" FLANGE AND 8" FLANGE
 - 2 NEW 8" 304 L SS PIPE FLANGE
 - 3 NEW 8" 304 L SS PIPE, FLANGE x PE
 - 4 NEW 8" KNIFE GATE VALVE
 - 5 EXISTING 8" 304 L SS TEE, FLANGE
 - 6 EXISTING 1'-0" 304 L SS 90° ELBOW FLANGED
 - 7 EXISTING 8"x1'-0" 304 L SS REDUCER, FLANGED
 - 8 EXISTING 1'-0" 304 L SS PIPE, FLANGED
 - 9 NEW S.S COUPLING, 8"x1'-0 1/2"
 - 10 NEW 3" 304 L SS NIPPLE, WELD TO CASING (SHOWN ROTATED) ORIENT PER ELECTRICAL DRAWINGS.
 - 11 NEW 8" HDPE
 - 12 NEW 8" 304 L S.S. T REUSE
 - 13 EXISTING 8" S.S. PIPE
 - 14 EXISTING CONCRETE THRUST BLOCK
- NOTE:**
 ALL NUTS, BOLTS & WASHERS SHALL BE 304 STAINLESS STEEL.
 ALSO PIPES TO BE ALL STAINLESS STEEL
 NOTE PUMP INTAKE IS AT 84"
 ALL BOLTS & NUTS TO BE ALL STAINLESS STEEL
 CONTRACTOR WILL VERIFY ALL DIMENSIONS ON ALL PIPES



WELL SCREEN CENTERING GUIDE

NEW JUNCTION BOX DETAIL

FILE NAME = #FILE#	USER NAME = #USER#	DESIGNED -	REVISED -
		DRAWN -	REVISED -
		CHECKED -	REVISED -
		DATE -	REVISED -

**STATE OF ILLINOIS
 DEPARTMENT OF TRANSPORTATION**

VARIOUS ROUTES TYPICAL WELL DETAILS

SCALE: _____ SHEET NO. ____ OF ____ SHEETS STA. _____ TO STA. _____

F.A. RTE.	SECTION	COUNTY	TOTAL SHEETS	SHEET NO.
			7	5
ST. CLAIR			CONTRACT NO. 76C71	
FED. ROAD DIST. NO. _____ ILLINOIS FED. AID PROJECT				