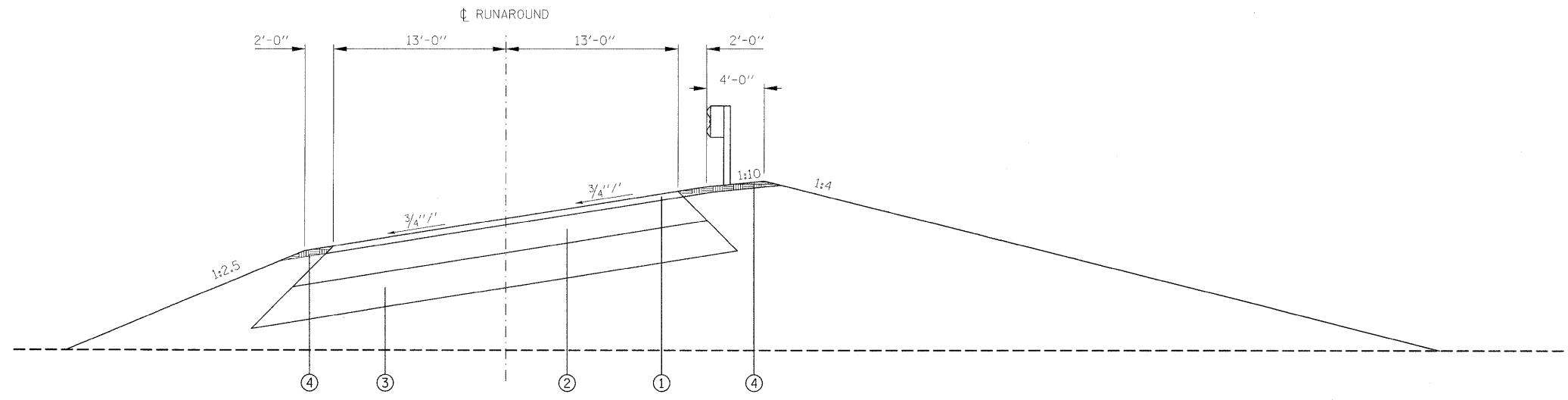


TYPICAL SECTION
STATION 3+46.11 TO STATION 6+62.23



TYPICAL SECTION
STATION 0+38.28 TO STATION 1+14.11
STATION 8+34.23 TO STATION 9+03.30

NOTE: TRANSITION OCCURS FROM STA. 1+14.11 TO STA. 3+46.11
AND FROM STA. 6+62.23 TO STA. 8+34.23

MIXTURE CHART

MIXTURE USE	SURFACE	BINDER	SHOULDER
AC/PG	PG 64-22	PG 64-22	PG 64-22
RAP % (MAX)	10%	15%	30%
DESIGN AIR VOIDS	4.0% @ Ndes=70	4.0% @ Ndes=70	2.0% @ Ndes=30
MIX COMPOSITION (GRADATION MIXTURE)			
FRICITION AGG	MIXTURE "D"	MIXTURE "B"	BAM

- LEGEND
- ① PROPOSED HOT-MIX ASPHALT SURFACE COURSE-1 1/2"
 - ② PROPOSED HOT-MIX ASPHALT BINDER COURSE-5"
 - ③ PROPOSED AGGREGATE SUBBASE-8"
 - ④ PROPOSED EARTH SHOULDER