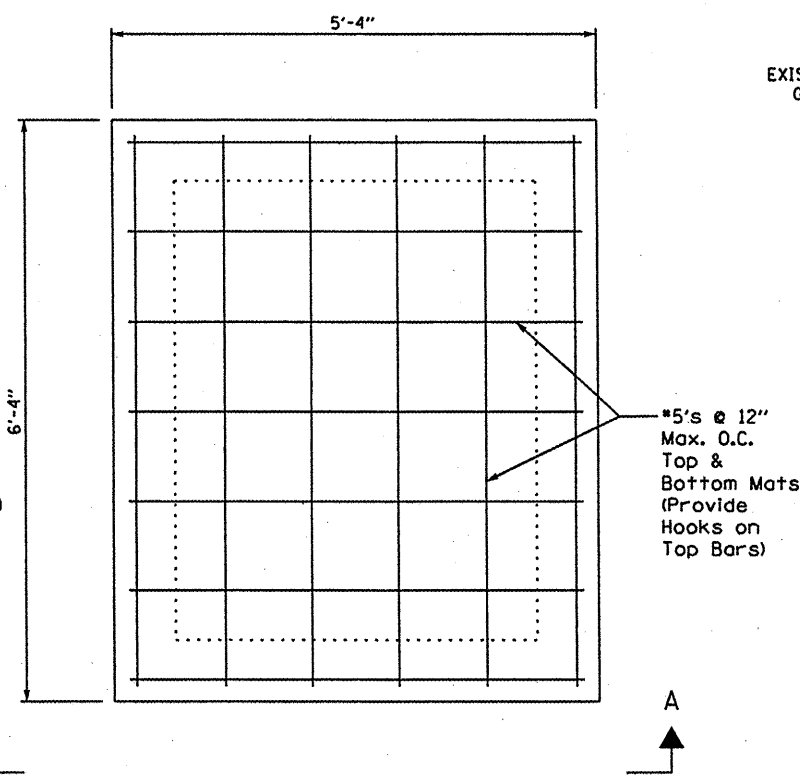
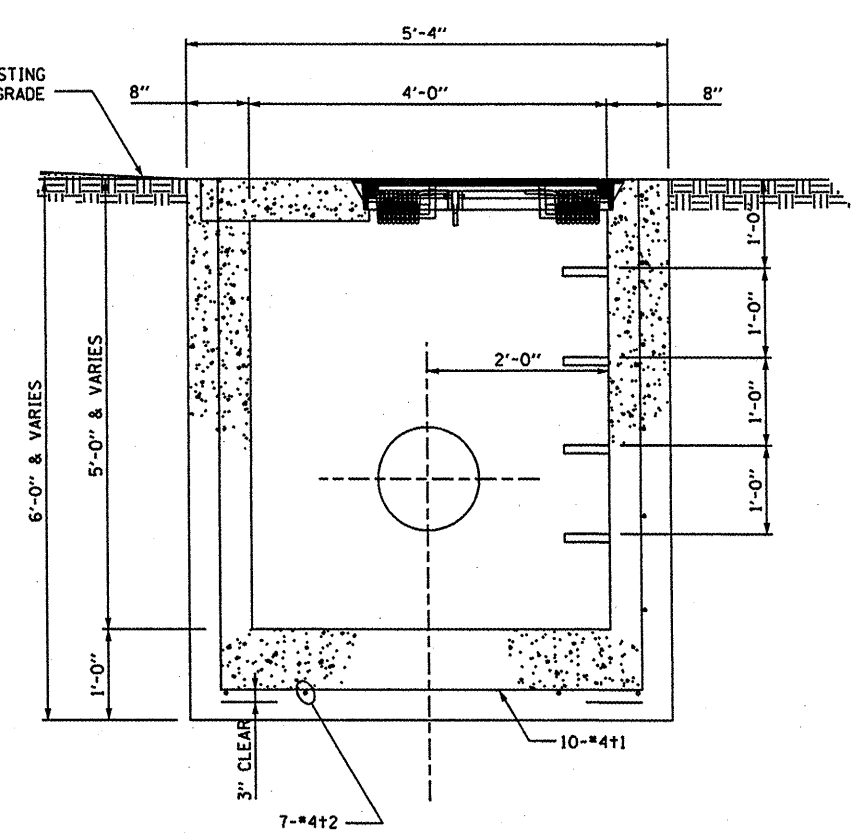


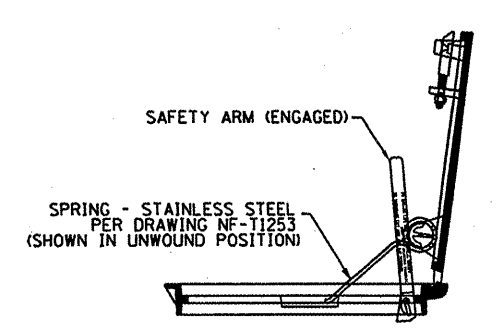
PLAN VIEW SHOWING WALL REINFORCEMENT



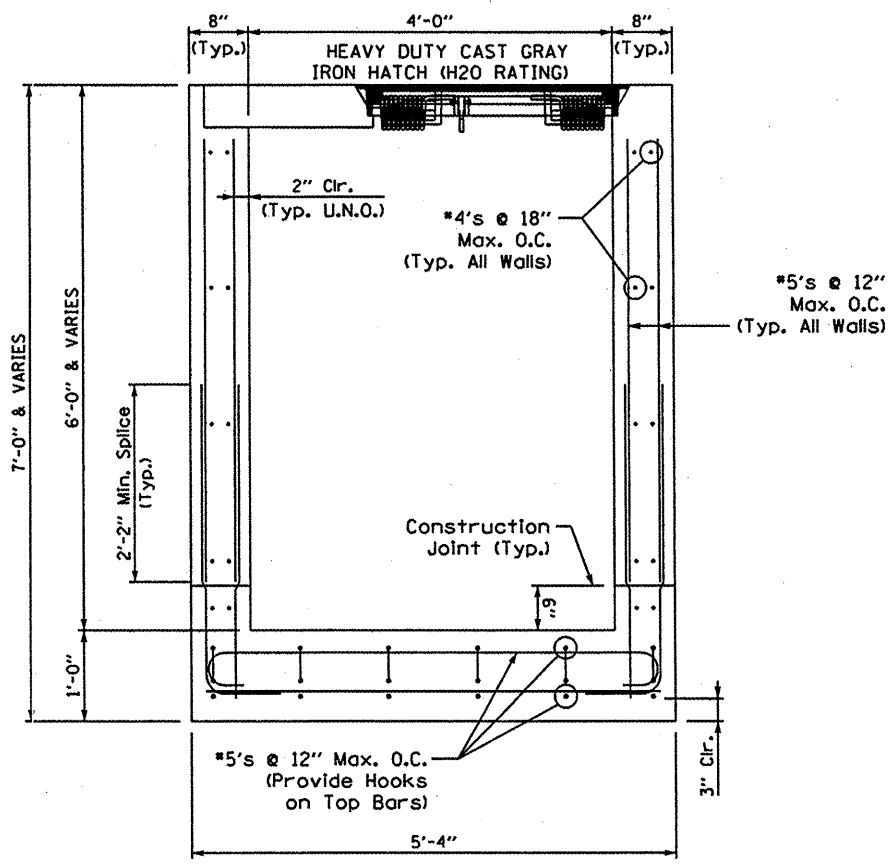
PLAN VIEW SHOWING FOOTING REINFORCEMENT



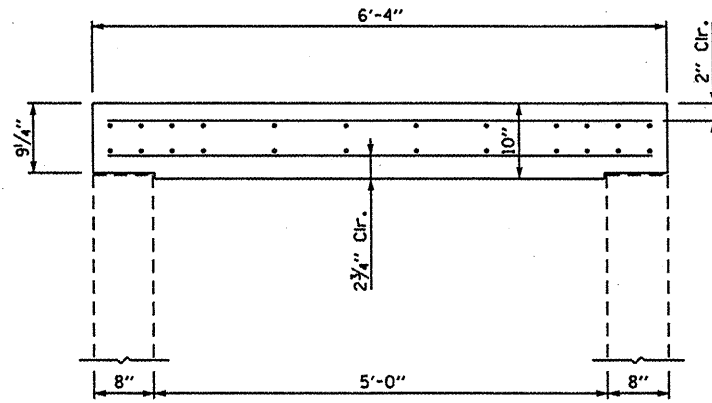
SECTION A-A DETAIL



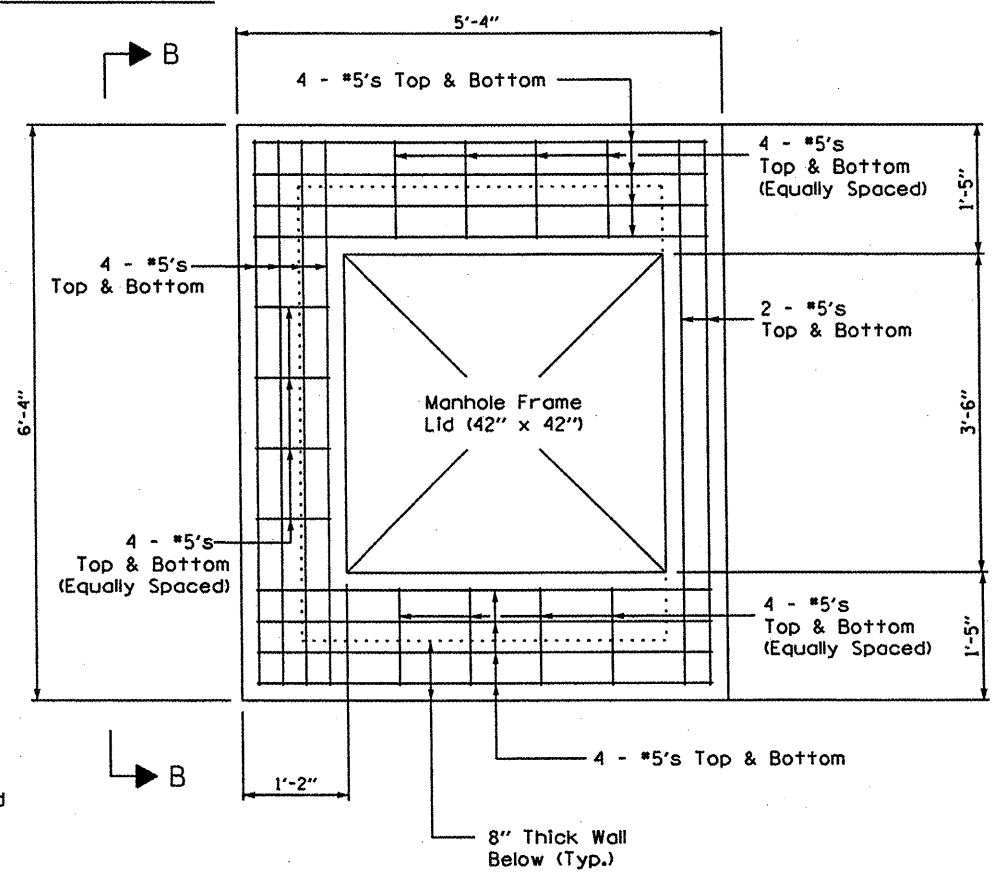
ACCESS HATCH DETAIL



SECTION A-A



SECTION B-B



PLAN VIEW SHOWING TOP SLAB REINFORCEMENT

**NOTES:**  
 All Reinforcement to Have 2" Clear Cover Unless Noted Otherwise  
 f'c = 3,500 psi  
 fy = 60,000 psi  
 O.C. - On Center U.N.O. - Unless Noted Otherwise

FILE NAME : #FILE#	USER NAME : #USER#	DESIGNED - CCS	REVISED -
		DRAWN - JLA	REVISED -
		CHECKED - WPM	REVISED -
		DATE - 03/02/09	REVISED -

**STATE OF ILLINOIS  
 DEPARTMENT OF TRANSPORTATION**

**DETAILS FOR CLEANOUT AT STATIONS 10+30, 15+00 & 18+30  
 CLEANOUT INSTALLATION IN VENICE, ILLINOIS**

F.A.P. RTE. 788	SECTION 27T-8	COUNTY MADISON	TOTAL SHEETS 11	SHEET NO. 11
SCALE: NTS			SHEET NO. 11 OF 11 SHEETS	
STA. TO STA.			ILLINOIS FED. AID PROJECT	