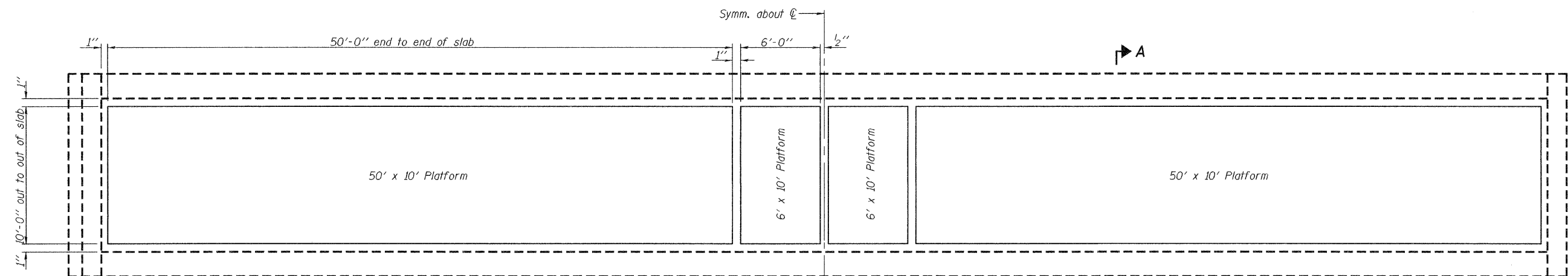
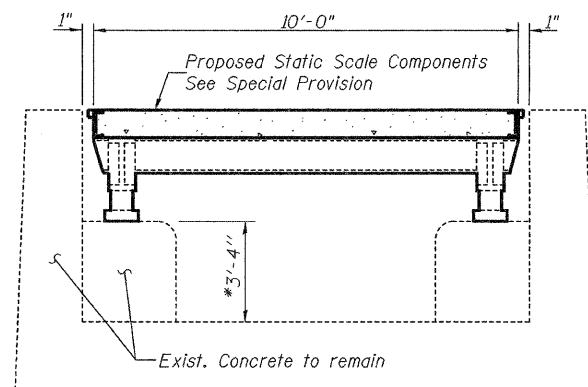


STATE OF ILLINOIS  
DEPARTMENT OF TRANSPORTATION



**PLAN**  
**STATIC SCALE COMPONENTS**

(Pit entrance not shown)



**SECTION A-A**

\*Height of pedestals shall be field verified by Contractor prior to ordering of new scales.

**BILL OF MATERIAL**

Furnishing and Installing Static Scale Components.	L. Sum	1
----------------------------------------------------	--------	---

**STATIC SCALE COMPONENT DETAILS**  
**STA. 843+49.94**

DESIGNED Patrick M. Petrone
CHECKED Jay D. Edwards
DRAWN BECKY M. LEACH
CHECKED PMP/JDE

APRIL 21, 2009
EXAMINED <i>Thomas J. Domagalaki</i> ENGINEER OF BRIDGE DESIGN
PASSED <i>Ralph E. Anderson</i> ENGINEER OF BRIDGES AND STRUCTURES

SHEET NO. 4 4 SHEETS	F.A.I. RTE. 64	SECTION 82-71-4	COUNTY ST. CLAIR	TOTAL SHEETS 7	SHEET NO. 7
	CONTRACT NO. 76D03				
FED. ROAD DIST. NO.		ILLINOIS	FED. AID PROJECT		