

# DETAIL OF PRECAST CONCRETE BOX CULVERT SECTION

(WITH COVER 2 FEET OR GREATER -  
AASHTO DESIGNATION M259)  
DESIGN LOADING: HS-20-44

## GENERAL NOTES

SHOP PLANS FOR THE REINFORCEMENT SHALL BE SUBMITTED IN ACCORDANCE WITH THE REQUIREMENTS OF ARTICLE 504.04 OF THE STANDARD SPECIFICATIONS.

MINIMUM CONCRETE STRENGTH SHALL BE 5000 PSI AFTER 28 DAYS.

THE JOINTS OF THE PRECAST BOX SECTIONS SHALL BE SEALED WITH MASTIC IN ACCORDANCE WITH ARTICLE 1055.01 OF THE STANDARD SPECIFICATIONS FOR ROAD AND BRIDGE CONSTRUCTION.

LIFTING HOLES SHALL BE FILLED WITH CONCRETE PLUGS AND MASTIC AFTER THE BOX SECTIONS ARE IN PLACE.

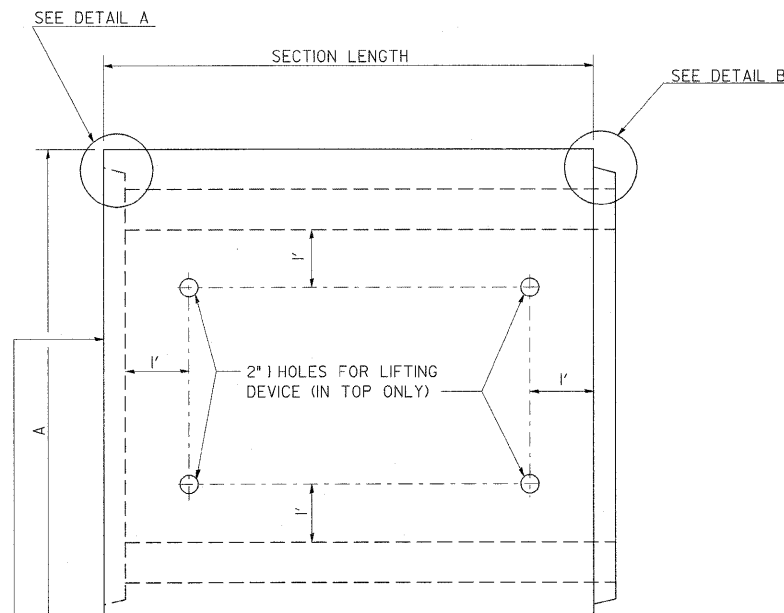
THE TERMS AS1, AS2, & AS3 DENOTE THE REQUIRED STEEL AREAS FOR REINFORCEMENT AS SPECIFIED IN AASHTO M259. REINFORCEMENT SHALL BE WELDED WIRE FABRIC CONFORMING TO AASHTO M55-81.

DRAINAGE OPENINGS SHALL BE PROVIDED IN ACCORDANCE WITH ARTICLE 503.11 OF THE STANDARD SPECIFICATIONS. LOCATION AND SPACING OF THE OPENINGS SHALL BE SHOWN ON THE SHOP DRAWINGS.

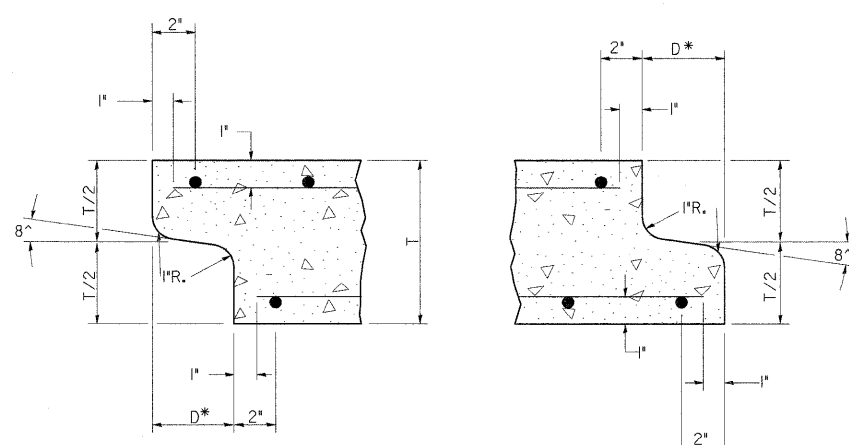
## DIMENSIONS

SPAN X RISE	T (INCHES)	A (FT.-IN.)	B (FT.-IN.)	C (INCHES)
2' X 2'	4	2-8	2-8	4
3' X 2'	4	3-8	2-8	4
3' X 3'	4	3-8	3-8	4
4' X 2'	5	4-10	2-10	5
4' X 3'	5	4-10	3-10	5
4' X 4'	5	4-10	4-10	5
5' X 2'	6	6-0	3-0	6
5' X 3'	6	6-0	4-0	6
5' X 4'	6	6-0	5-0	6
5' X 5'	6	6-0	6-0	6
6' X 2'	7	7-2	3-2	7
6' X 3'	7	7-2	4-2	7
6' X 4'	7	7-2	5-2	7
6' X 5'	7	7-2	6-2	7
6' X 6'	7	7-2	7-2	7
7' X 4'	8	8-4	5-4	8
7' X 5'	8	8-4	6-4	8
7' X 6'	8	8-4	7-4	8
7' X 7'	8	8-4	8-4	8
8' X 4'	8	9-4	5-4	8
8' X 5'	8	9-4	6-4	8
8' X 6'	8	9-4	7-4	8
8' X 7'	8	9-4	8-4	8
8' X 8'	8	9-4	9-4	8

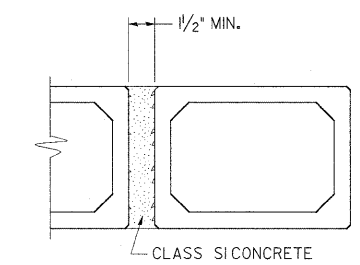
SPAN X RISE	T (INCHES)	A (FT.-IN.)	B (FT.-IN.)	C (INCHES)
9' X 5'	9	10-6	6-6	9
9' X 6'	9	10-6	7-6	9
9' X 7'	9	10-6	8-6	9
9' X 8'	9	10-6	9-6	9
9' X 9'	9	10-6	10-6	9
10' X 5'	10	11-8	6-8	10
10' X 6'	10	11-8	7-8	10
10' X 7'	10	11-8	8-8	10
10' X 8'	10	11-8	9-8	10
10' X 9'	10	11-8	10-8	10
10' X 10'	10	11-8	11-8	10
11' X 4'	11	12-10	5-10	11
11' X 6'	11	12-10	7-10	11
11' X 8'	11	12-10	9-10	11
11' X 9'	11	12-10	11-10	11
11' X 11'	11	12-10	12-10	11
12' X 4'	12	14-0	6-0	12
12' X 6'	12	14-0	8-0	12
12' X 8'	12	14-0	10-0	12
12' X 10'	12	14-0	12-0	12
12' X 12'	12	14-0	14-0	12



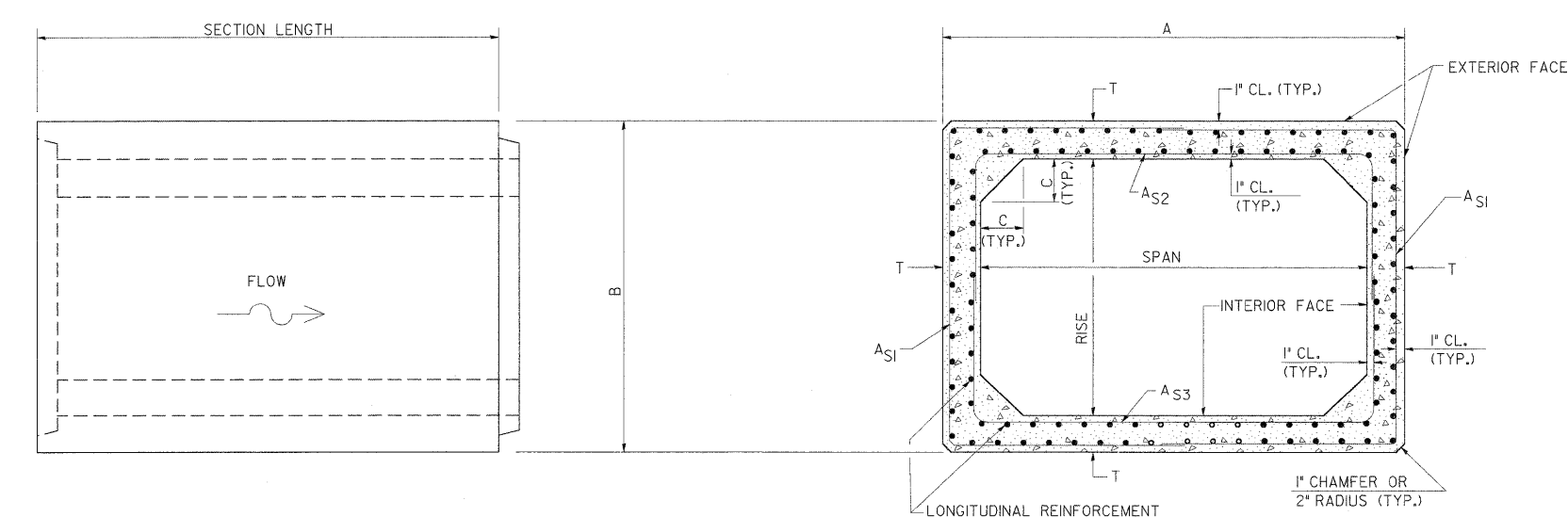
PLAN



DETAIL A (TYP. INLET END)  
DETAIL B (TYP. OUTLET END)



MULTIPLE UNIT PLACEMENT



ELEVATION

CROSS SECTION

REVISIONS  
DRAWN 3-7-89  
REVISED 3-27-90  
REVISED 8-16-94  
REVISED 01-10-07  
RESIZED 5-6-08

STD. 9-48