

STATE OF ILLINOIS
DEPARTMENT OF TRANSPORTATION

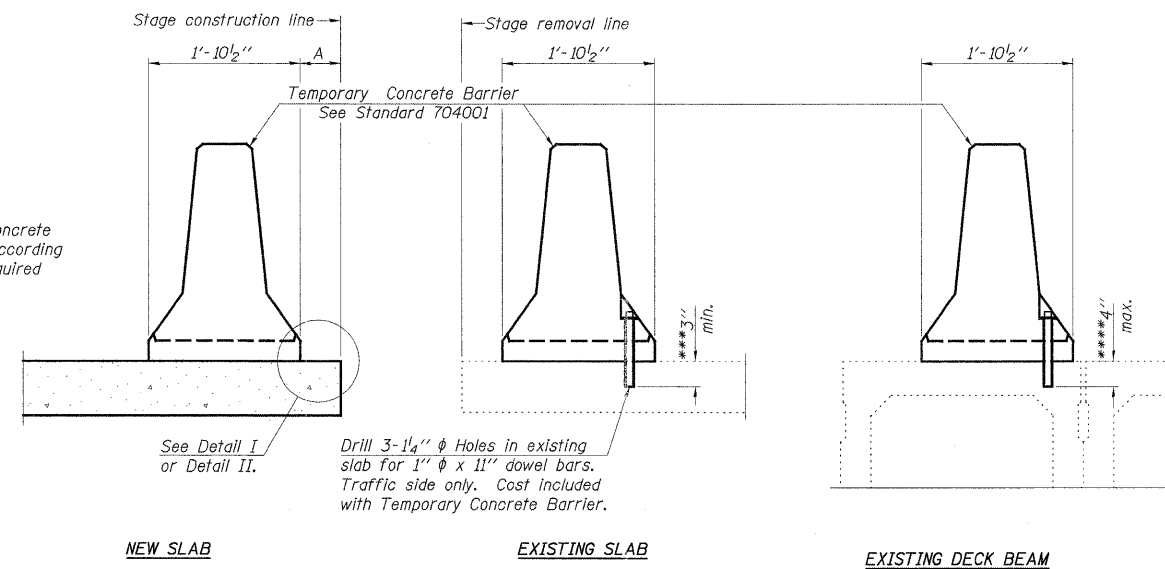
NOTES

Detail I - With Bar Splicer or Couplers:
Connect one (1) 1"x7"x10" steel \bar{r} to the top layer of couplers with 2- $\frac{5}{8}$ " ϕ bolts screwed to coupler at approximate \bar{c} of each barrier panel.

Detail II - With Extended Reinforcement Bars:
Connect one (1) 1"x7"x10" steel \bar{r} to the concrete slab or concrete wearing surface with 2- $\frac{5}{8}$ " ϕ Expansion Anchors or cast in place inserts spaced between the top layer of reinforcement at approximate \bar{c} of each barrier panel.

Cost of anchorage is included with Temporary Concrete Barrier.
The 1" x 7" x 10" plate shall not be removed until stage II construction forms and all reinforcement bars are in place and the concrete is ready to be placed.

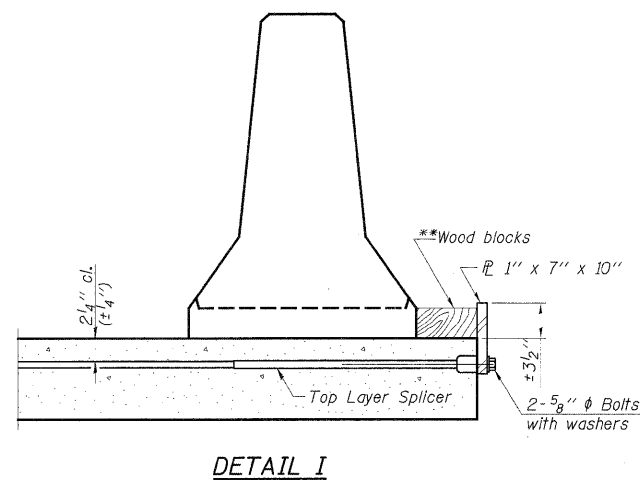
When "A" is 3'-6" or less, the temporary concrete barrier shall be anchored to the new slab according to Detail I or Detail II. No anchorage is required when "A" is greater than 3'-6".



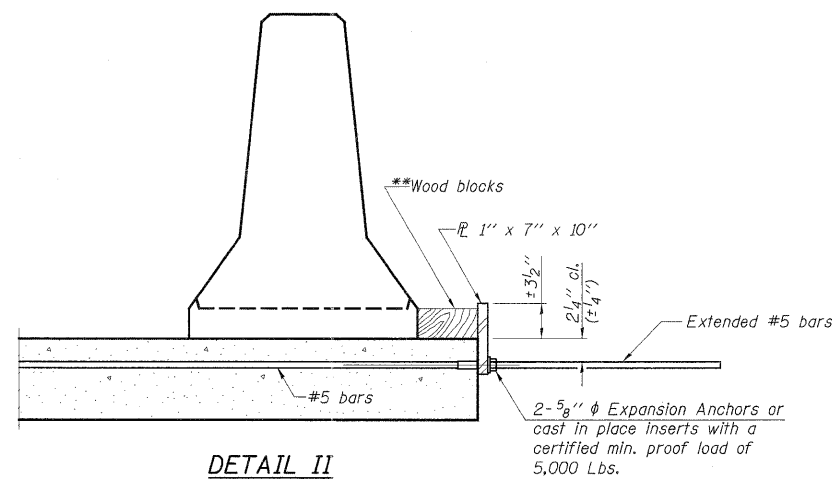
SECTIONS THRU SLAB OR DECK BEAM

*** Dimension shown is minimum required embedment into concrete.
If hot-mix asphalt wearing surface is present, minimum embedment shall be in addition to wearing surface depth.

**** If existing deck beam is to remain in place after stage construction, embedment shall only be into wearing surface and not into existing deck beam concrete.

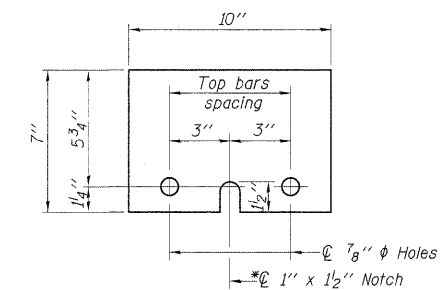


DETAIL I



DETAIL II

**Wood blocks may be omitted when required to provide minimum stage traffic lane width. When the wood blocks are omitted, the concrete barrier shall be in direct contact with the steel retainer plate.



STEEL RETAINER \bar{r} 1" x 7" x 10"

* Required only with Detail II

TEMPORARY CONCRETE BARRIER
IL 154 OVER CREEK
FAP 329; SECTION 18B-1
PERRY COUNTY
STA 671+60.00
STRUCTURE NO 073-7053

R-27

10-1-08

FILE NAME =	USER NAME = cornellm	DESIGNED -	REVISED -
et\pw\work\PWIDOT\CORNELLM\dms49848\d	78089_sht_misc.dgn	DRAWN -	REVISED -
PLOT SCALE = 1:0000 "/td> <td>CHECKED -</td> <td>REVISED -</td> <td>REVISED -</td>	CHECKED -	REVISED -	REVISED -
PLOT DATE = 3/19/2009	DATE -	REVISED -	REVISED -

STATE OF ILLINOIS
DEPARTMENT OF TRANSPORTATION

TEMPORARY CONCRETE BARRIER DETAIL
SN 073-7053

SCALE: SHEET NO. OF SHEETS STA. TO STA.

F.A.P. RTE.	SECTION	COUNTY	TOTAL SHEETS	SHEET NO.
881/329	35B-1/18B-1	JOHNSON/PERRY	26	22
FED. ROAD DIST. NO. ILLINOIS FED. AID PROJECT			CONTRACT NO. 78069	