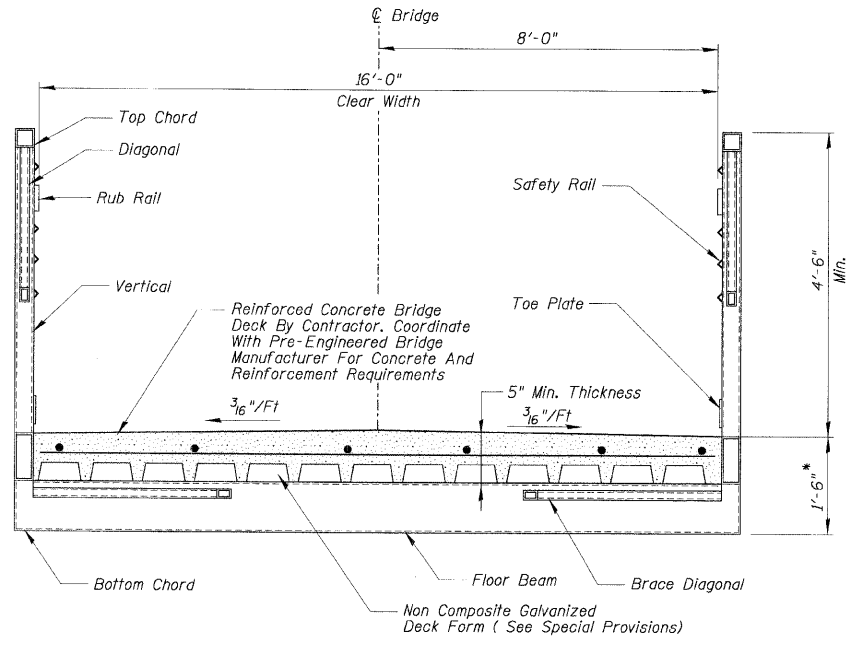


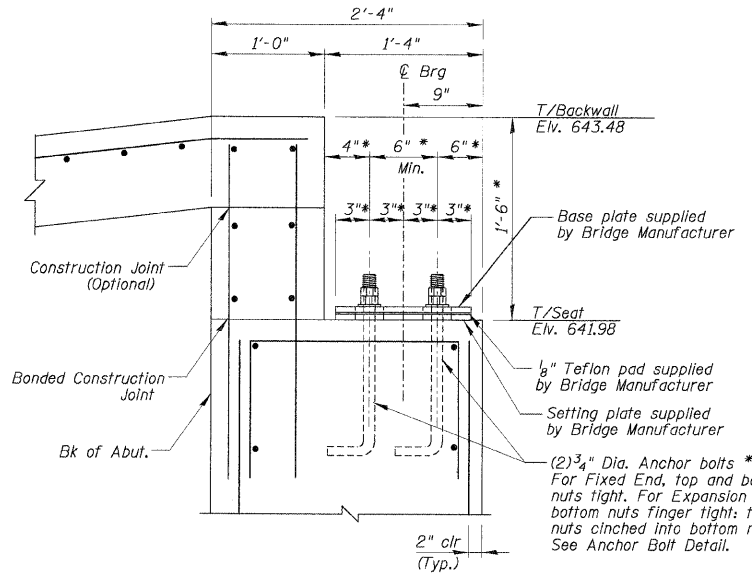
CONTRACT No. 83728

DATE: _____ BY: _____
 SURVEYED: _____
 PLAN: _____
 NOTE BOOK: _____
 NO.: _____

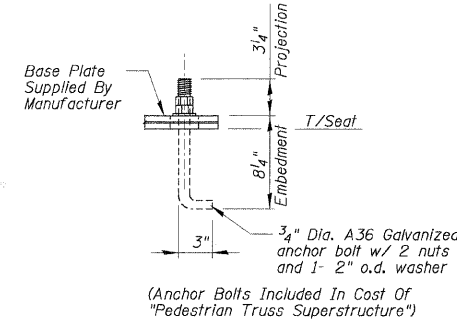
DATE: _____ BY: _____
 REVISIONS: _____
 PLANNED: _____
 PROFILE: _____
 NOTE BOOK: _____
 NO.: _____



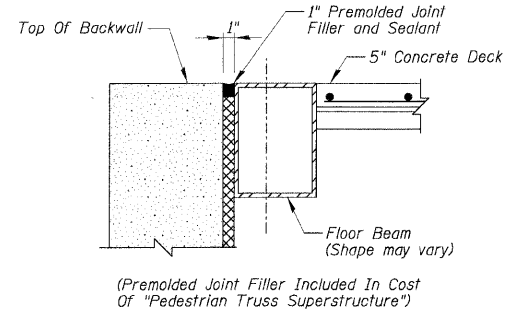
SECTION THRU FABRICATED BRIDGE SUPERSTRUCTURE



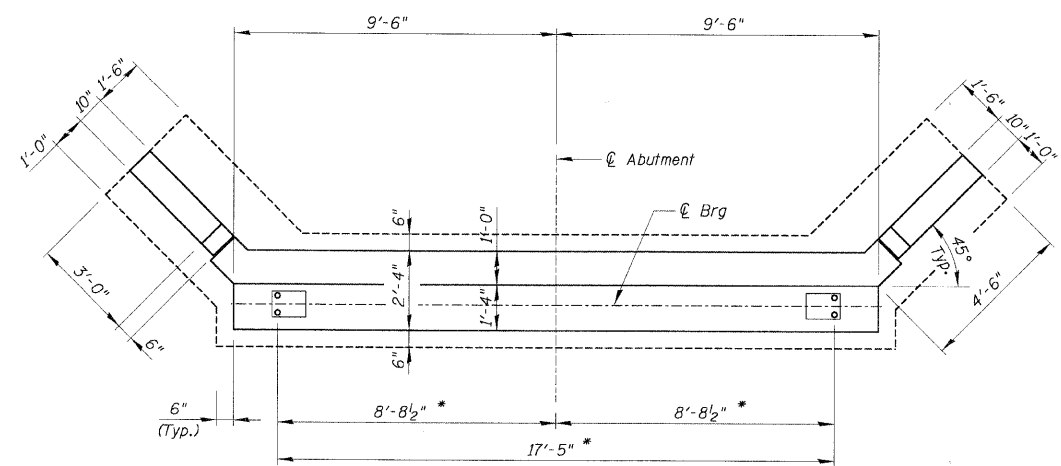
BEARING DETAIL AT ABUTMENTS



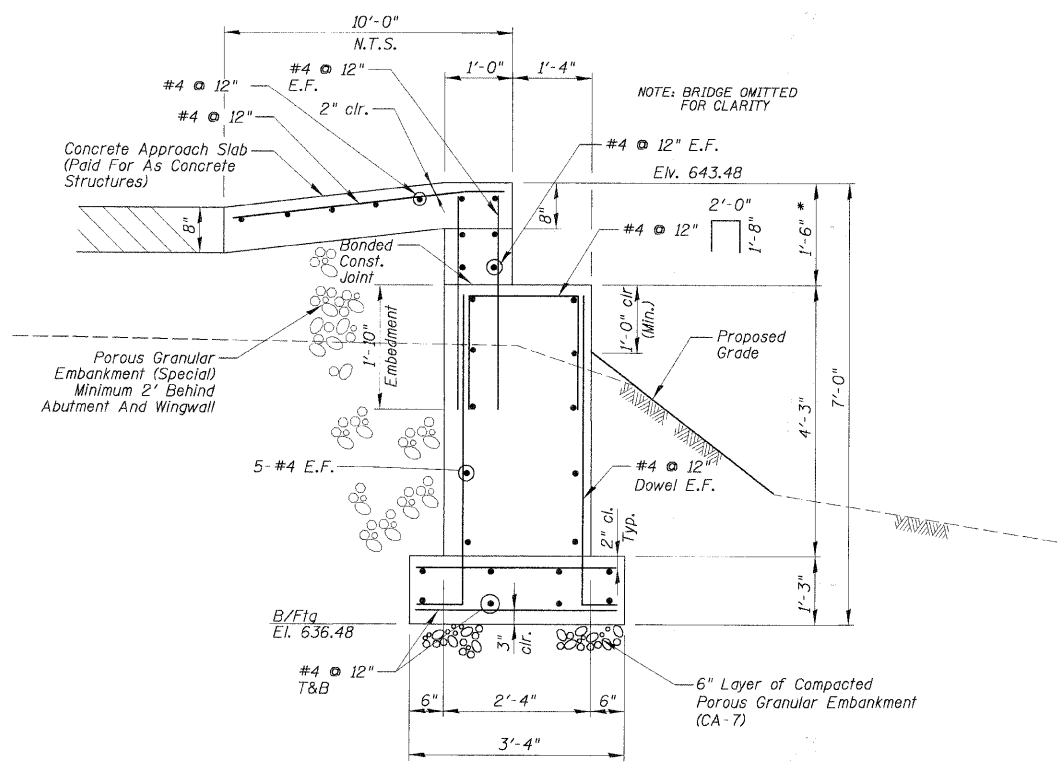
ANCHOR BOLT DETAIL



JOINT SEAL AT ABUTMENT

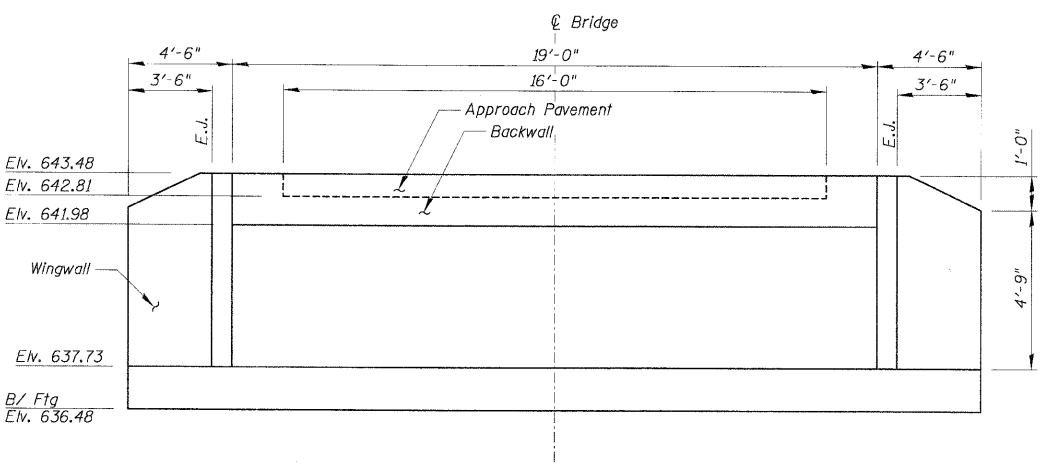


TYPICAL ABUTMENT PLAN



SECTION THRU SOUTH ABUTMENT

- NOTES:
- * Contractor shall coordinate all dimensions with Bridge Manufacturer prior to construction.
 - ** Contractor has the option of substituting anchor bolts with 4-3/4" diameter HILTI HAS-EE AISI 304 SS Bolts embedded 6 3/8" into HIT HY 150 injection adhesive. Bolts shall not be placed less than 5" from the edge of the structure or less than 6" apart. Contractor shall coordinate plate dimensions, bolt spacing and bolt quantity with Bridge Manufacturer prior to construction.



TYPICAL ABUTMENT ELEVATION
(DIMENSION ALONG FACE OF WALL)

REVISIONS	
NAME	DATE

ILLINOIS DEPARTMENT OF TRANSPORTATION
BRIDGE 1
STA. 19 + 20.00
ABUTMENT AND BRIDGE SECTIONS

SCALE: NOT TO SCALE
 DATE: 3/30/2009
 DRAWN BY: PDR
 CHECKED BY: PLB