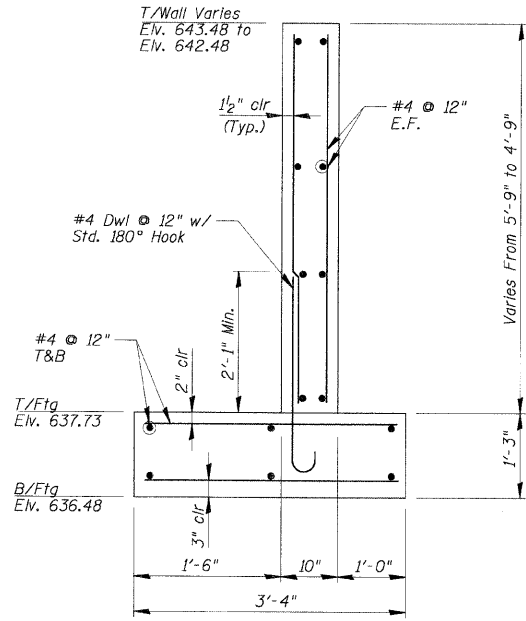


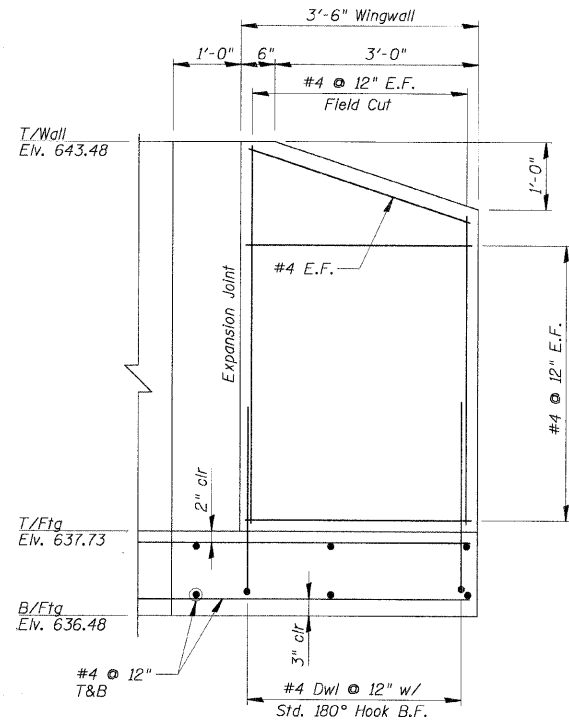
CONTRACT No. 83728

PLAN	DATE
BY	
REVISIONS	
NO.	
NOTE BOOK	
NO.	
ADD FILE NAME	

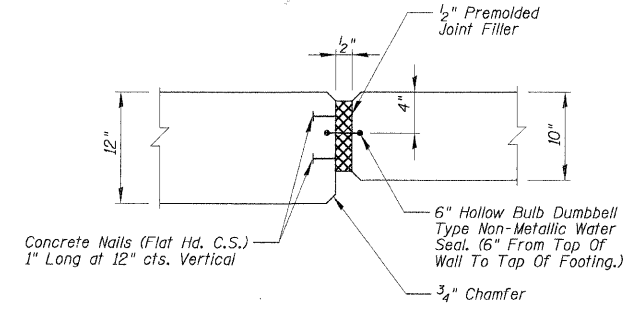
PROFILE	DATE
BY	
REVISIONS	
NO.	
NOTE BOOK	
NO.	
STRUCTURE NOTATION	



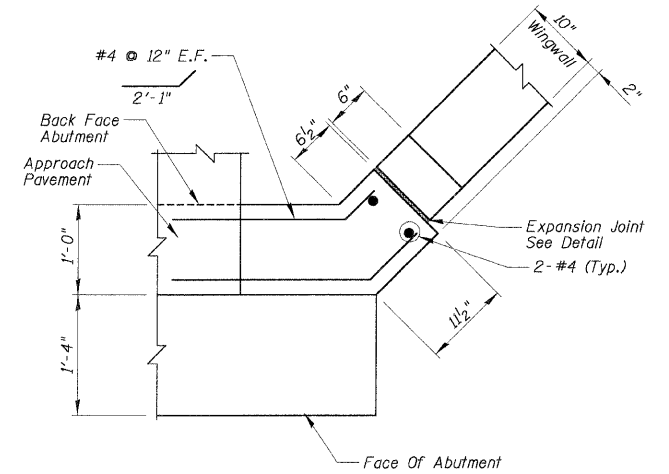
TYPICAL WINGWALL SECTION



TYPICAL WINGWALL ELEVATION



TYPICAL EXPANSION JOINT DETAIL



CORNER DETAIL

REVISIONS	
NAME	DATE

ILLINOIS DEPARTMENT OF TRANSPORTATION
BRIDGE 1
STA. 19 + 20.00
WINGWALL AND DETAILS

SCALE: NOT TO SCALE
 DATE 3/30/2009
 DRAWN BY PDR
 CHECKED BY PLB

3/30/2009