

F.A.U. RTE.	SECTION	COUNTY	TOTAL SHEETS	SHEET NO.
99-00109-01-BT			74	31
STA.	TO STA.			
FED. ROAD DIST. NO. 1	ILLINOIS	FED. AID PROJECT		

CONTRACT No. 83728

BILL OF MATERIAL (NORTH RETAINING WALL)

ITEM	DESCRIPTION	UNIT	QUANTITY
20700220	Porous Granular Embankment	Cu. Yd.	20
20700400	Porous Granular Embankment, Special	Cu. Yd.	106
50200100	Structure Excavation	Cu. Yd.	400
50300225	Concrete Structures	Cu. Yd.	102
50800205	Reinforcement Bars, Epoxy Coated	Pound	15,000
50901725	Bicycle Railing, Special	L.F.	135

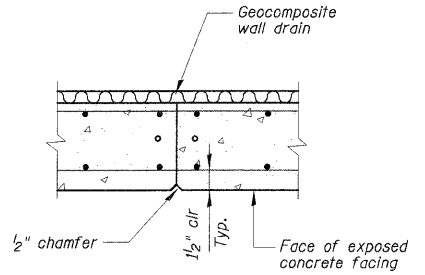
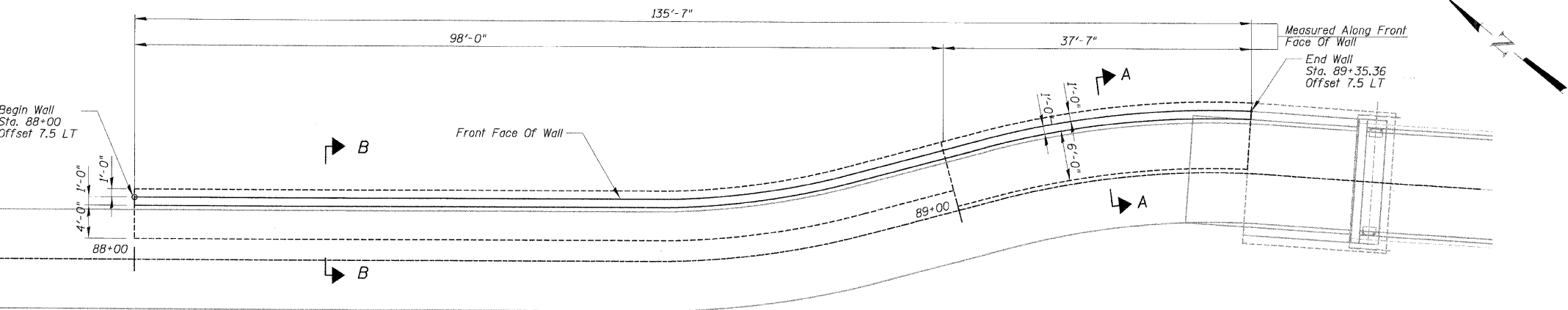
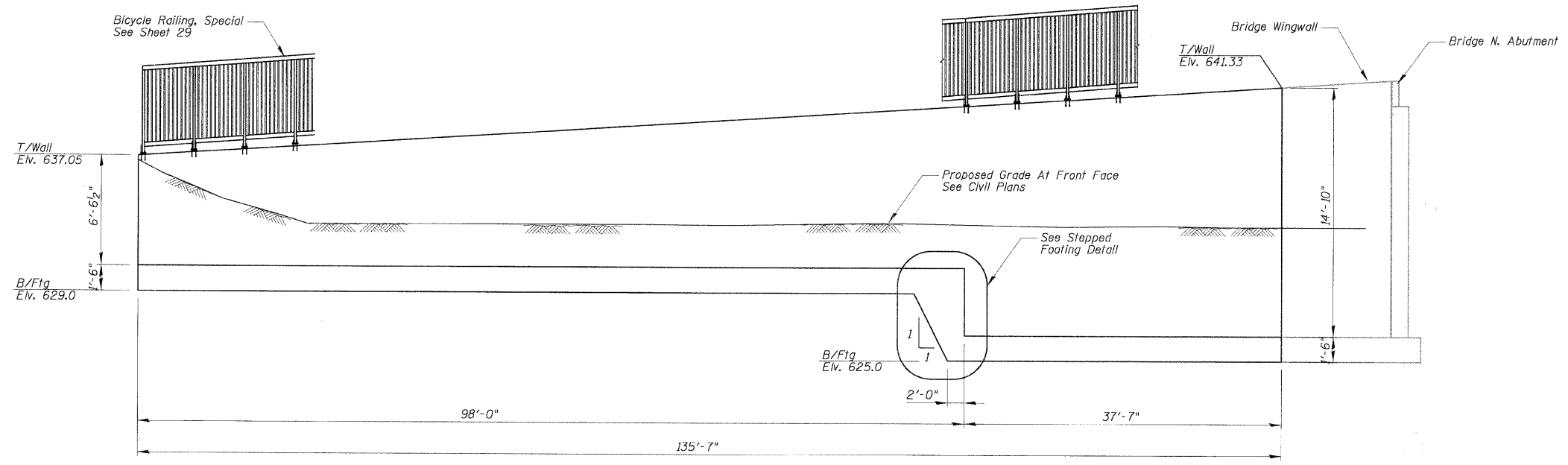
* Special Provision

RETAINING WALL NOTES:

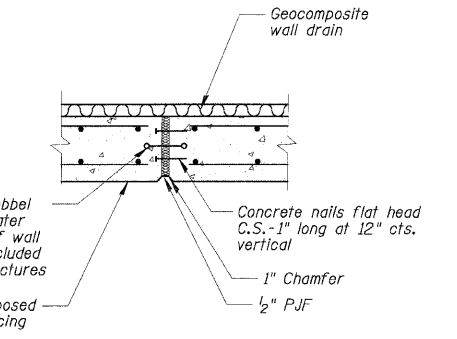
- Contractor Shall provide Expansion Joints At 90'-0" Max. Spacing.
- Contractor Shall Provide 1/2" Control Joints At 30'-0" Max. Spacing.
- The Walls Shall Be Backfilled To Proposed Elevation On The Front Face Prior To Backfilling Behind The Walls.

DATE	BY	REVISION

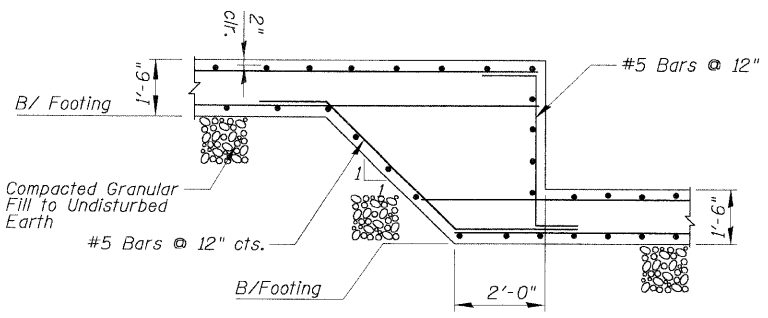
DATE	BY	REVISION



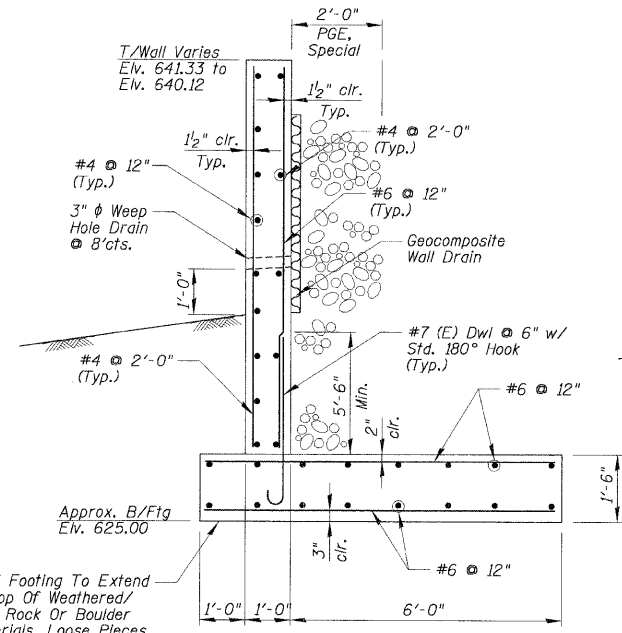
CONSTRUCTION JOINT



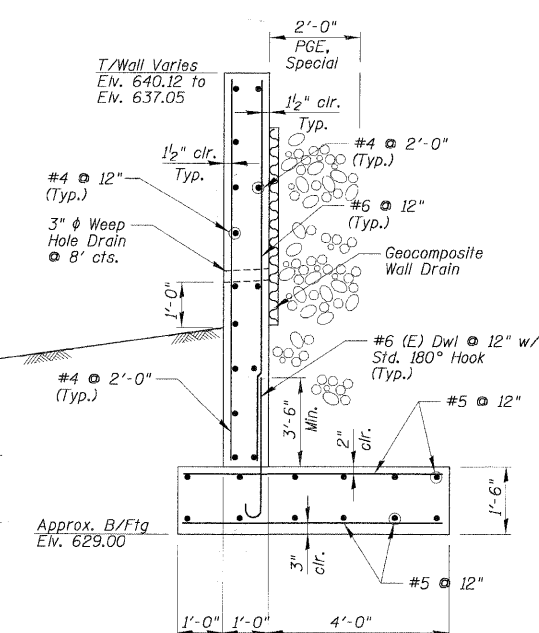
EXPANSION JOINT



STEPPED FOOTING DETAIL



SECTION A-A



SECTION B-B

Bottom Of Footing To Extend To The Top Of Weathered/ Fractured Rock Or Boulder Zone Materials. Loose Pieces Of Soil And Rock Are To Be Removed. (Typ)

REVISIONS	
NAME	DATE

ILLINOIS DEPARTMENT OF TRANSPORTATION

NORTH RETAINING WALL

SCALE: NOT TO SCALE

DATE 3/30/2009

DRAWN BY PDR

CHECKED BY PLB

3/30/2009