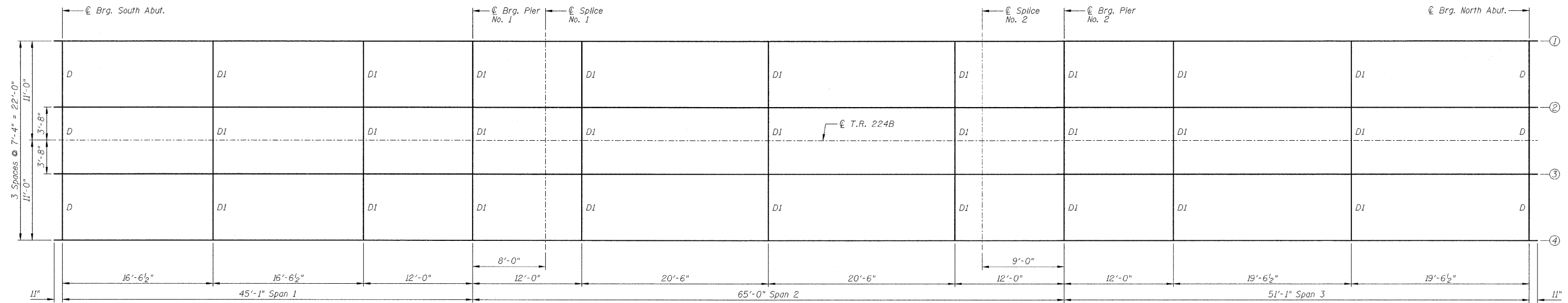
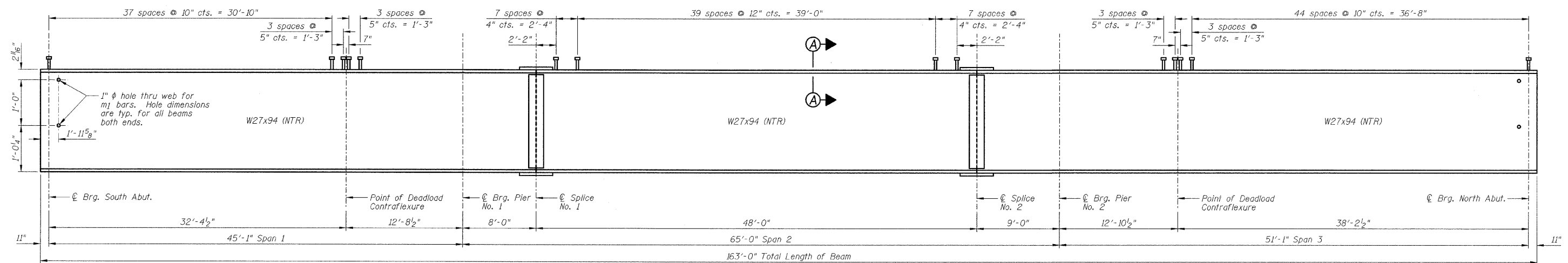


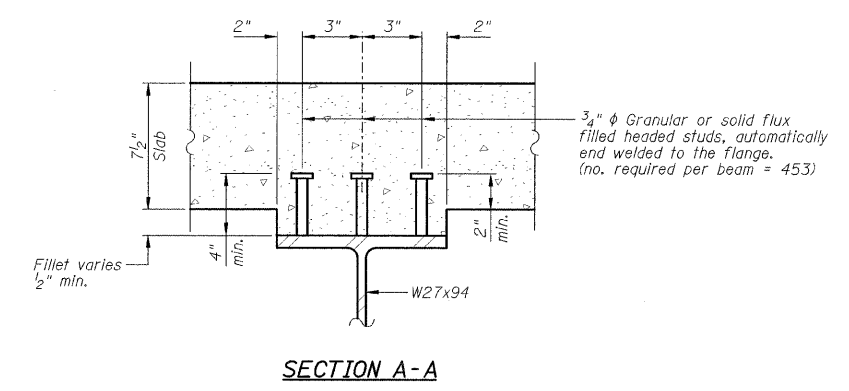
F.A.S. RTE.	SECTION	COUNTY	TOTAL SHEETS	SHEET NO.
	03-26140-00-BR 03-21117-00-BR	LIVINGSTON	28	16
STA.		TO STA.		
FED. ROAD DIST. NO. 7		ILLINOIS FED. AID PROJECT		
CONTRACT NO. 87360		SHEET NO. B9 OF 17 SHEETS		



FRAMING PLAN



ELEVATION



SECTION A-A

ITEM	UNITS	TOTAL
Stud Shear Connectors	Each	1812

NOTES:

- 1.) Work this sheet with Sheet B10.
- 2.) See Sheet B10 for Splice Details and Diaphragm Details.
- 3.) N.T.R. designates Notch Toughness Requirements. Load carrying components designated "NTR" shall conform to the Supplemental Requirements for Notch Toughness, Zone 2.
- 4.) All cross frames or diaphragms shall be installed as steel is erected and secured with erection pins and bolts except as otherwise noted. Individual cross frames or diaphragms at supports may be temporarily disconnected to install bearing anchor rods.

SECTION 03-26140-00-BR  
SECTION 03-21117-00-BR  
LIVINGSTON COUNTY

STRUCTURAL STEEL LAYOUT

DESIGNED BY S.D.H.	<p>2700 Midway Drive Bloomington, Illinois 61704 309/898-8626, 309/898-9871 fax</p>	FILE NO. 24-7191
DRAWN BY D.J.M.		DATE 03/17/09
CHECKED BY M.S.W.		SHEET NO. 16 of 28