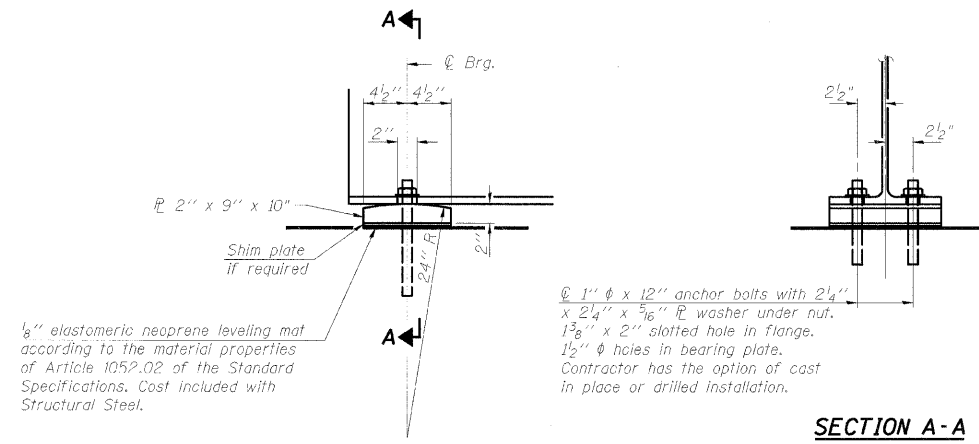
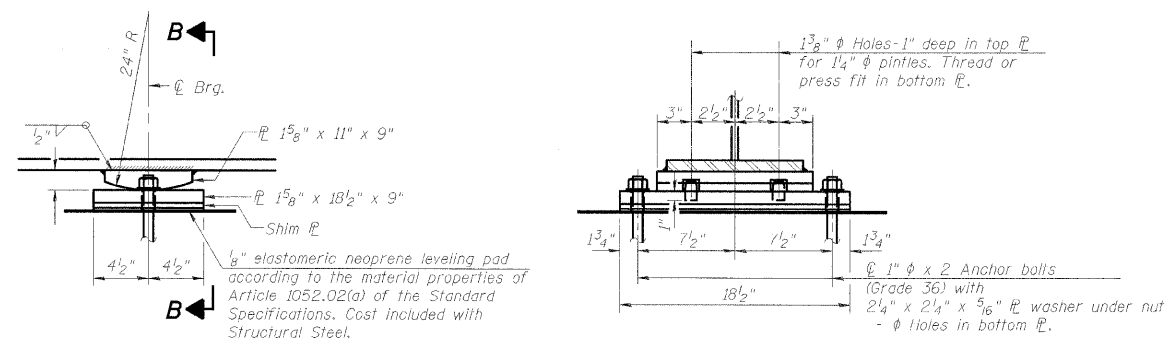


F.A.S. RTE.	SECTION	COUNTY	TOTAL SHEETS	SHEET NO.
	03-26140-00-BR 03-21117-00-BR	LIVINGSTON	28	18
STA.		TO STA.		
FED. ROAD DIST. NO. 7		ILLINOIS FED. AID PROJECT*		
CONTRACT NO. 87360		SHEET NO. <i>B11</i>		
OF 17 SHEETS				



ELEVATION AT ABUTMENT

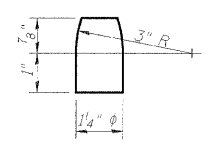
FIXED BEARING



ELEVATION AT PIER

SECTION B-B

FIXED BEARING



PINTLE

Notes:
 Anchor bolts shall be ASTM F1554 all-thread (or an Engineer-approved alternate material) of the grade(s) and diameter(s) specified. ASTM A307 Grade C anchor bolts may be used in lieu of ASTM F1554 Grade 36 (Fy=36ksi). The corresponding specified grade of AASHTO M314 anchor bolts may be used in lieu of ASTM F1554.
 Anchor bolts at fixed bearings may be either cast in place or installed in holes drilled after the supported member is in place.
 Anchor bolts for side retainers may be cast in place or installed in holes drilled before or after members are in place.
 Drilled and set anchor bolts shall be installed according to Article 521.06 of the Standard Specifications.

SECTION 03-26140-00-BR SECTION 03-21117-00-BR LIVINGSTON COUNTY	
BEARING DETAILS	
DESIGNED BY S.D.H.	FILE NO. 24-7191
DRAWN BY D.J.M.	DATE 03/17/09
CHECKED BY M.S.W.	SHEET NO. 18 of 28
 2708 McGraw Drive Livingston, Illinois 61704 309/682-8686, 309/682-1871 fax	