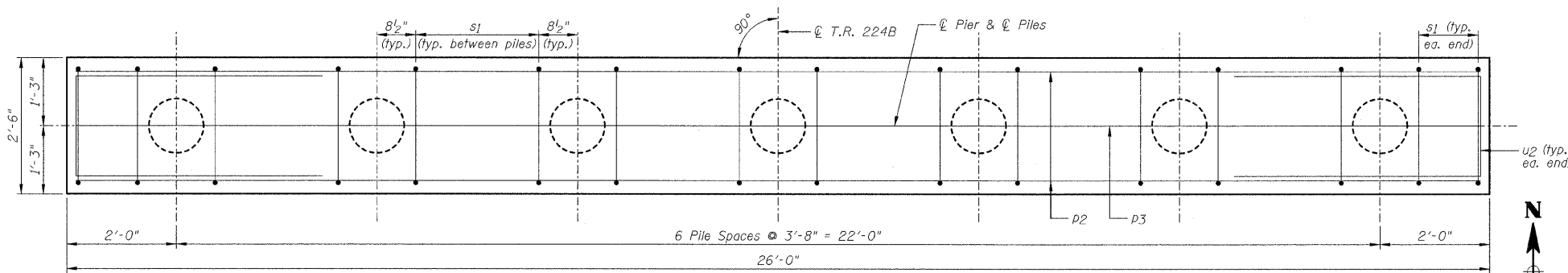
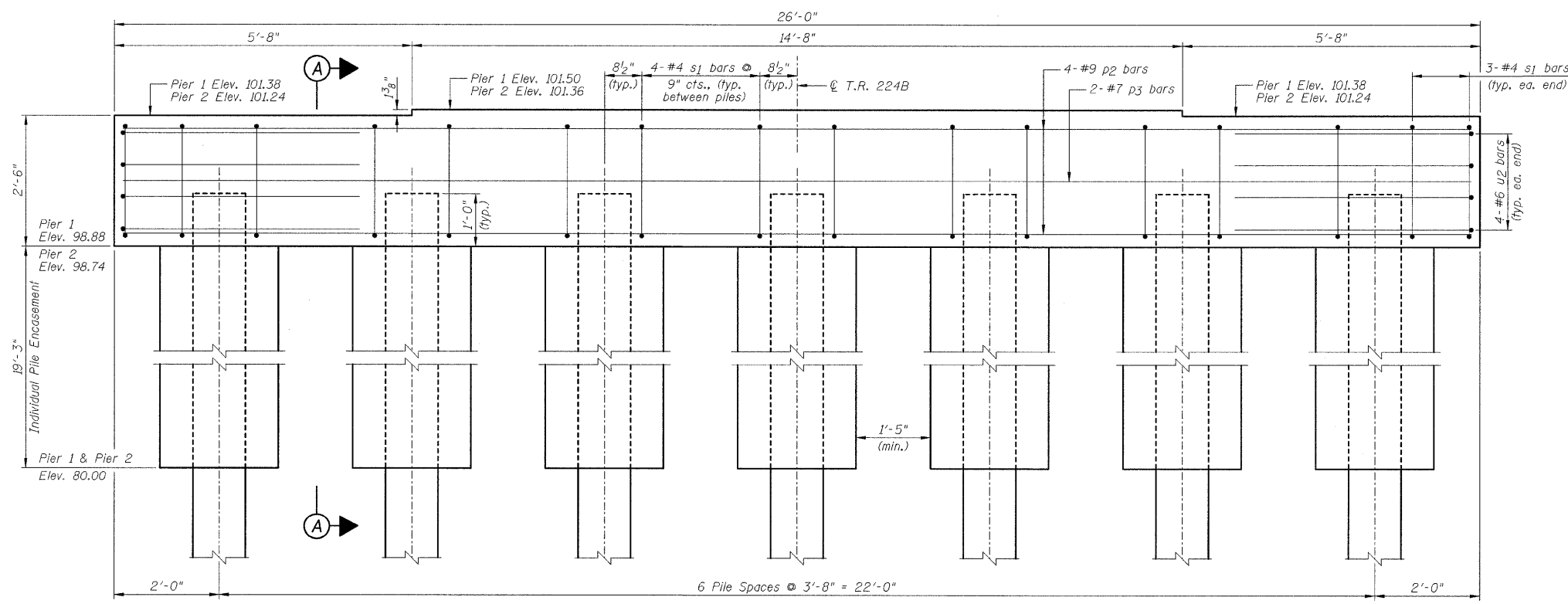


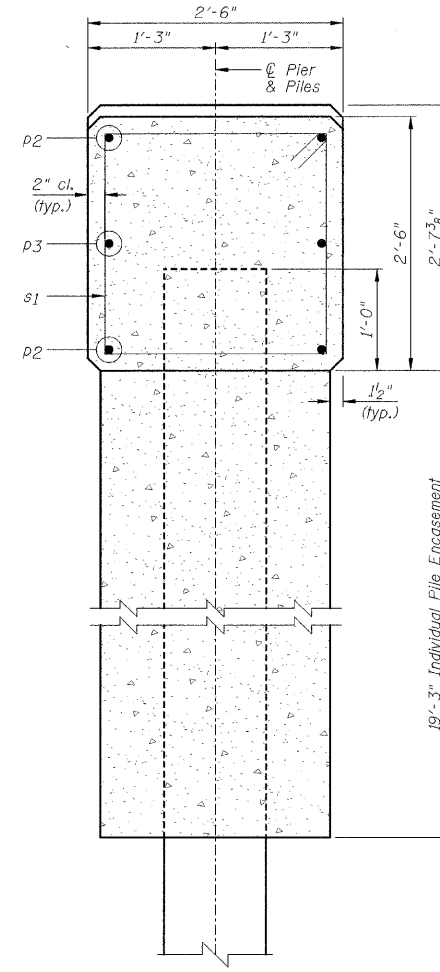
TOP PLAN



PLAN - PILE CAP



ELEVATION



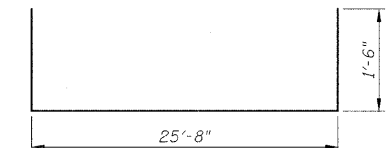
SECTION A-A

PILE DATA
(2 Piers)

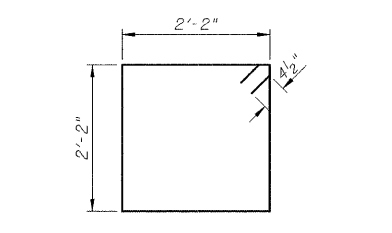
Type: Metal Shell 12" x 0.250"
 No. Req'd.: 13+1 Test Pile
 Est. Length: 54 Feet
 Nom. Req. Brg.: 288 kips
 Allowable Res. Avail.: 96 kips

BILL OF MATERIALS - PIERS
(Quantities for 2 Piers)

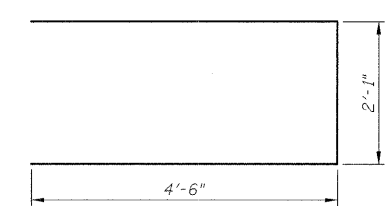
Bar	No.	Size	Length	Shape
p2	8	#9	28'-8"	□
p3	4	#7	25'-8"	—
s1	60	#4	9'-5"	□
u2	16	#6	11'-1"	□
Item	Unit	Quantity		
Concrete Structures	Cu. Yd.	43.1		
Reinforcement Bars, Epoxy Coated	Pound	1630		
Furnishing Metal Shell Piles 12"x0.250"	Foot	702		
Test Pile Metal Shells	Each	1		



p2 BAR



s1 BAR



u2 BAR

NOTES:

- 1.) Work this sheet with Sheet B15.
- 2.) Space reinforcement in cap to miss anchor bolts.
- 3.) Pour steps monolithically with cap.
- 4.) For pile details, see Sheet B15.
- 5.) Drive Test Pile in Pier 1.

SECTION 03-26140-00-BR
SECTION 03-21117-00-BR
LIVINGSTON COUNTY

PIERS

DESIGNED BY S.D.H.	<p>2700 McGraw Drive Bloomington, Illinois 61704 309/833-8636, 309/833-8771 fax</p>	FILE NO. 24-7191
DRAWN BY D.J.M.		DATE 03/17/09
CHECKED BY M.S.W.		SHEET NO. 21 of 28