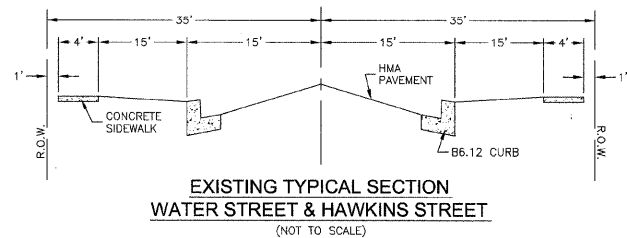
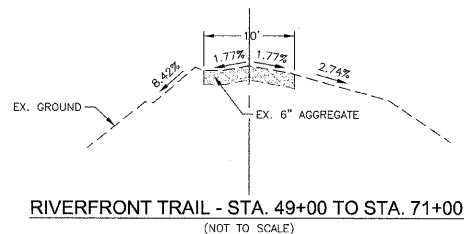
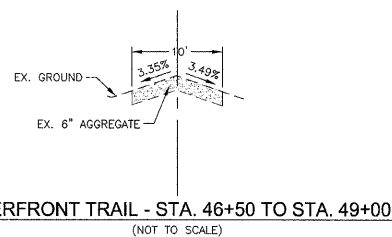
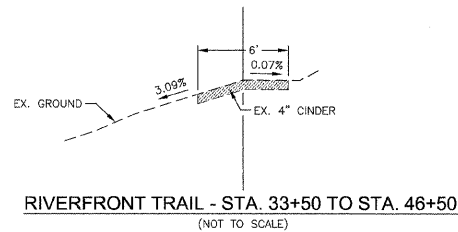
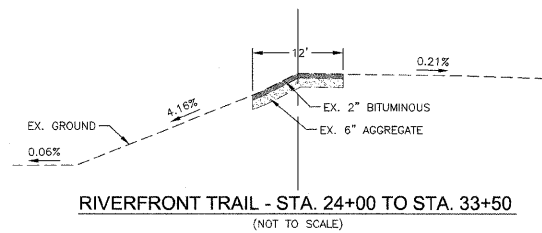
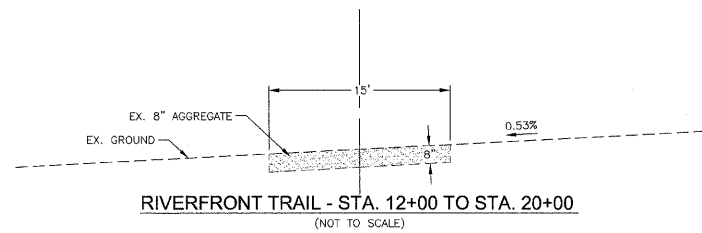
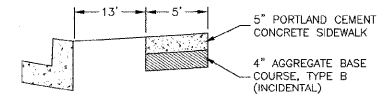
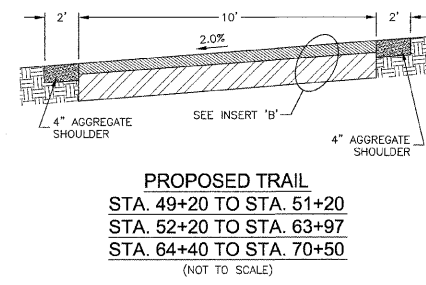
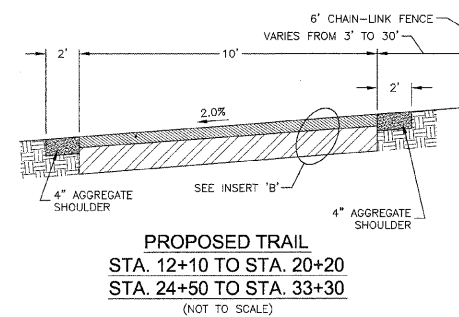
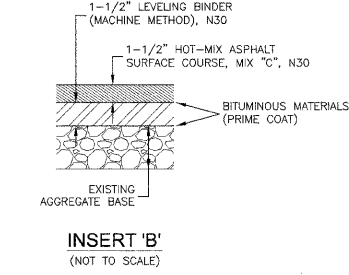
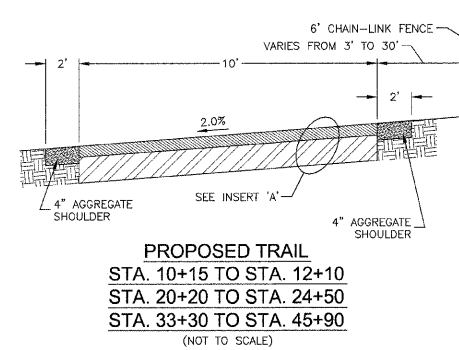
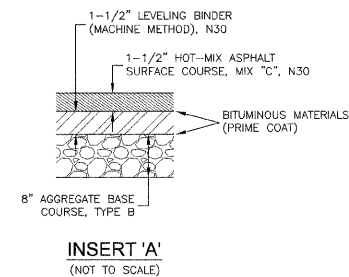
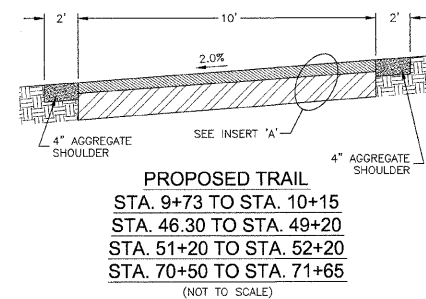


**TYPICAL EXISTING ROADWAY
CROSS SECTIONS**



**TYPICAL PROPOSED ROADWAY
CROSS SECTIONS**



FAU. RITE.	SECTION	COUNTY	TOTAL SHEETS	SHEET NO.								
*	**	KANKAKEE	17	4								
CONTRACT NO. 87390												
FED. ROAD DIST. NO.	ILLINOIS	FED. AID PROJECT										
**06-00001-00-BT												
<p>TYSON ENGINEERING, INC. CONSULTING CIVIL ENGINEERS LAND SURVEYORS DESIGN FIRM LICENSE #184-001135 367 SOUTH SCHUYLER AVENUE KANKAKEE, ILLINOIS 60901 PHONE (815) 932-7406</p>												
<p>This document and the ideas and designs incorporated herein, as an instrument of professional service, is the property of Tyson Engineering Inc. and is not to be used in whole or in part, for any other project without written authorization of Tyson Engineering Inc.</p> <p>Do not scale drawings. Use dimensions only. Contractor shall be responsible for verifying all dimensions.</p> <p>Information herein and hereon is confidential.</p>												
<p>REVISIONS</p> <table border="1"> <thead> <tr> <th>NO.</th> <th>DATE</th> <th>BY</th> <th>DESCRIPTION</th> </tr> </thead> <tbody> <tr> <td>1</td> <td>3/13/09</td> <td>NRD</td> <td>PER IDOT REVIEW</td> </tr> </tbody> </table>					NO.	DATE	BY	DESCRIPTION	1	3/13/09	NRD	PER IDOT REVIEW
NO.	DATE	BY	DESCRIPTION									
1	3/13/09	NRD	PER IDOT REVIEW									

**TYPICAL ROADWAY
CROSS SECTIONS**

**IMPROVEMENTS TO SERVE
RIVERFRONT TRAIL
PHASE 1**

SECTION 06-00001-00-BT		
DATE:	DATE	JOB NO. E07093
SCALE:	N/A	FILE NO.
DRAWN BY:	NRD	SHEET 4
CHECKED BY:	SRM	OF 18