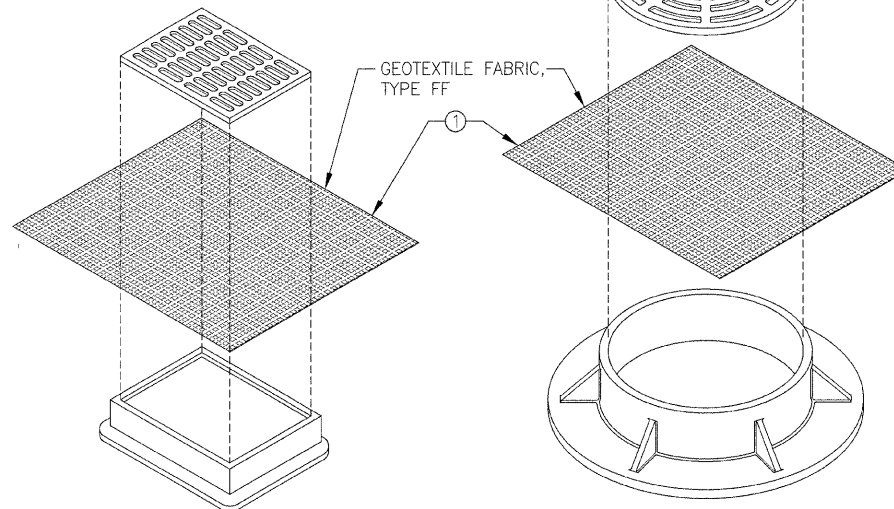


**INLET PROTECTION, TYPE B
(WITH CURB BOX)**

GENERAL NOTES:
WHEN REMOVING OR MAINTAINING INLET PROTECTION, CARE SHALL BE TAKEN SO THAT THE SEDIMENT TRAPPED ON THE GEOTEXTILE FABRIC DOES NOT FALL INTO THE INLET. ANY MATERIAL FALLING INTO THE INLET SHALL BE REMOVED IMMEDIATELY.

- ① FINISHED SIZE, INCLUDING FLAP POCKETS WHERE REQUIRED, SHALL EXTEND A MINIMUM OF 10" AROUND THE PERIMETER TO FACILITATE MAINTENANCE OR REMOVAL.
- ② FOR INLET PROTECTION, TYPE B (WITH CURB BOX), AN ADDITIONAL 18" OF FABRIC IS WRAPPED AROUND THE WOOD AND SECURED WITH STAPLES. THE WOOD SHALL NOT BLOCK THE ENTIRE HEIGHT OF THE CURB BOX OPENING.

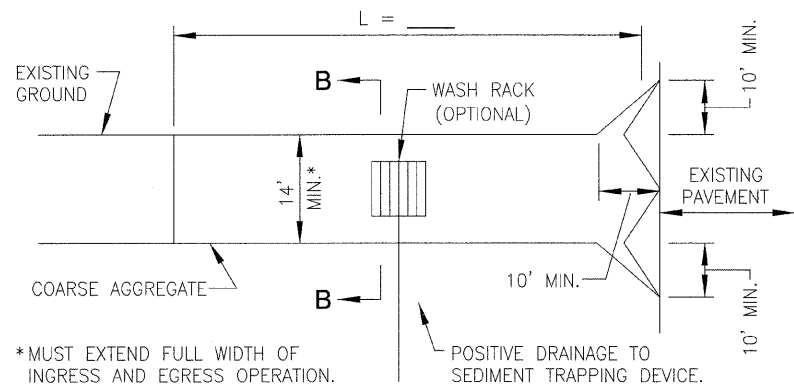
**INLET PROTECTION, TYPE A
(WITHOUT CURB BOX)**
(CAN BE INSTALLED IN ANY INLET WITHOUT A CURB BOX)



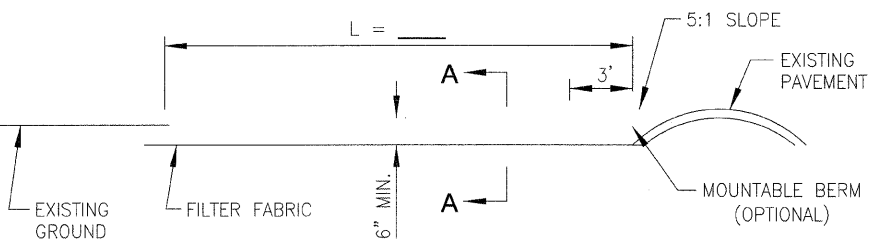
INSTALLATION NOTES:
TRIM EXCESS FABRIC IN THE FLOW LINE TO WITHIN 3" OF THE GRATE.

THE CONTRACTOR SHALL DEMONSTRATE A METHOD OF MAINTENANCE, USING A SEWN FLAP, HAND HOLDS OR OTHER METHOD TO PREVENT ACCUMULATED SEDIMENT FROM ENTERING THE INLET.

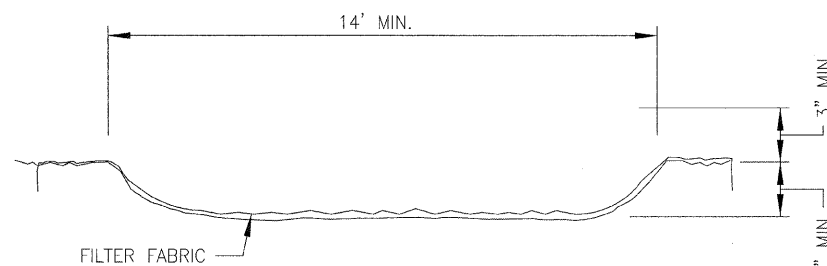
INLET PROTECTION WITH GEOTEXTILE FABRIC
NOT TO SCALE



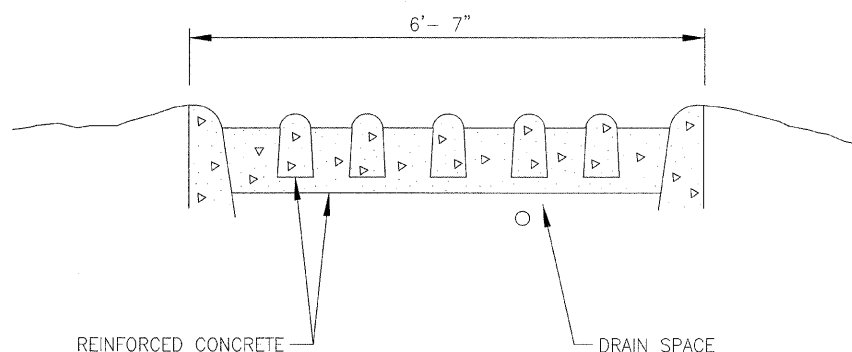
PLAN VIEW



SIDE ELEVATION



SECTION A-A



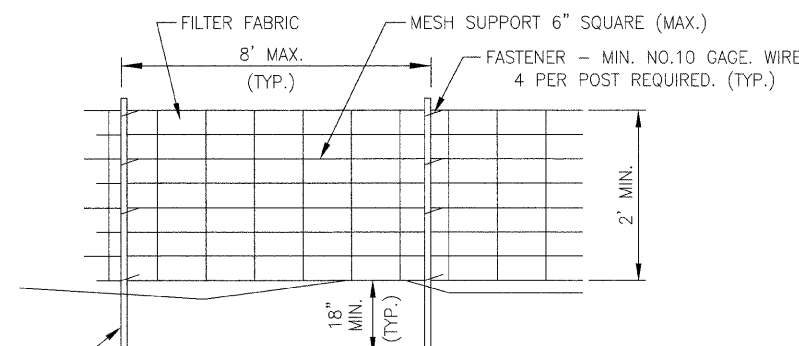
SECTION B-B

- NOTES:**
1. FILTER FABRIC SHALL MEET THE REQUIREMENTS OF MATERIAL SPECIFICATION 592 GEOTEXTILE, TABLE 1 OR 2, CLASS I, II OR IV AND SHALL BE PLACED OVER THE CLEARED AREA PRIOR TO THE PLACING OF ROCK.
 2. ROCK OR RECLAIMED CONCRETE SHALL MEET ONE OF THE FOLLOWING IDOT COARSE AGGREGATE GRADATION, CA-1, CA-2, CA-3 OR CA-4 AND BE PLACED ACCORDING TO CONSTRUCTION SPECIFICATION 25 ROCKFILL USING PLACEMENT METHOD 1 AND CLASS III COMPACTION.
 3. ANY DRAINAGE FACILITIES REQUIRED BECAUSE OF WASHING SHALL BE CONSTRUCTED ACCORDING TO MANUFACTURERS SPECIFICATIONS.
 4. IF WASH RACKS ARE USED THEY SHALL BE INSTALLED ACCORDING TO THE MANUFACTURER'S SPECIFICATIONS.

STABILIZED CONSTRUCTION ENTRANCE PLAN
NOT TO SCALE

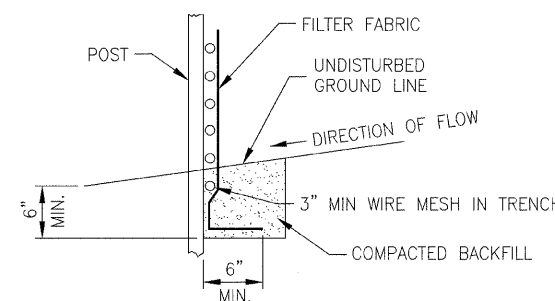


STANDARD DWG. NO.
IL-630
DATE 8-18-94



ELEVATION

STANDARD SYMBOL
— S — S — S —



FABRIC ANCHOR DETAIL

- NOTES:**
1. WIRES OF MESH SUPPORT SHALL BE MIN. GAGE NO. 12.
 2. TEMPORARY SEDIMENT FENCE SHALL BE INSTALLED PRIOR TO ANY GRADING WORK IN THE AREA TO BE PROTECTED. THEY SHALL BE MAINTAINED THROUGHOUT THE CONSTRUCTION PERIOD AND REMOVED IN CONJUNCTION WITH THE FINAL GRADING AND SITE STABILIZATION.
 3. FILTER FABRIC SHALL MEET THE REQUIREMENTS OF MATERIAL SPECIFICATION 592 GEOTEXTILE TABLE 1 OR 2, CLASS I WITH EQUIVALENT OPENING SIZE OF AT LEAST 30 FOR NONWOVEN AND 50 FOR WOVEN.
 4. FENCE POSTS SHALL BE EITHER WOOD POST WITH A MINIMUM CROSS-SECTIONAL AREA OF 3.0 SQ. IN. OR A STANDARD STEEL POST.

**SILT FENCE WITH
WIRE SUPPORT**
NOT TO SCALE



STANDARD DWG. NO.
IL-ENG-50
DATE 7/05

F&E	SECTION	COUNTY	TOTAL SHEETS	SHEET NO.
*	**	KANKAKEE	17	14

CONTRACT NO. 87390

FED. ROAD DIST. NO. ILLINOIS FED. AID PROJECT

**06-00001-00-BT

TYSON ENGINEERING, INC.
CONSULTING CIVIL ENGINEERS
AND SURVEYORS
DESIGN FIRM LICENSE #164-001136
367 SOUTH SCHUYLER AVENUE
KANKAKEE, ILLINOIS 60901
PHONE (815) 932-7406

This document and the ideas and designs incorporated herein, as an instrument of professional service, is the property of Tyson Engineering Inc. and is not to be used in whole or in part, for any other project without written authorization of Tyson Engineering Inc.

Do not scale drawings. Use dimensions only. Contractor shall be responsible for verifying all dimensions.

Information hereon and herein is confidential.

REVISIONS

NO.	DATE	BY	DESCRIPTION
1	3/13/09	NRD	PER IDOT REVIEW

**STORM WATER
POLLUTION
PREVENTION DETAILS**

**IMPROVEMENTS TO SERVE
RIVERFRONT TRAIL
PHASE 1**

PROJECT:

**SECTION
06-00001-00-BT**

DATE:	DATE	JOB NO. E07093
SCALE:	N/A	FILE NO.
DRAWN BY:	NRD	SHEET 14
CHECKED BY:	SRM	OF 18