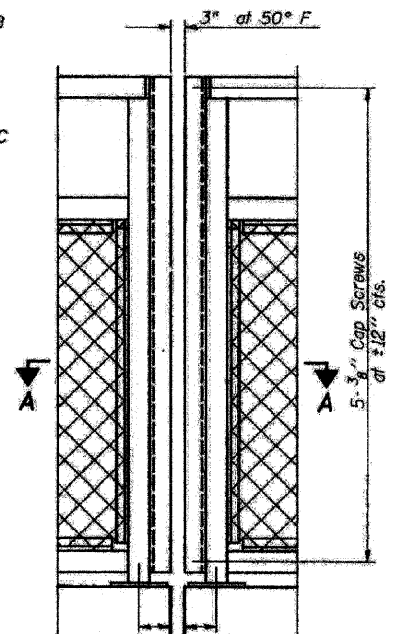
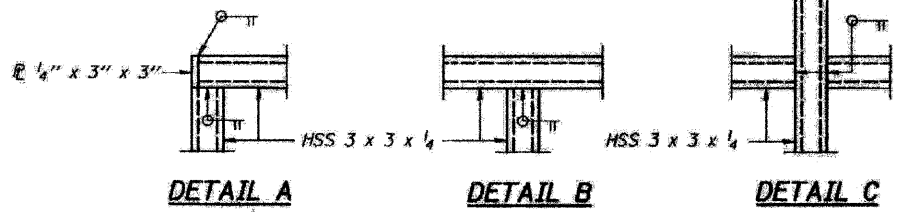


BICYCLE RAILING ON STRUCTURE

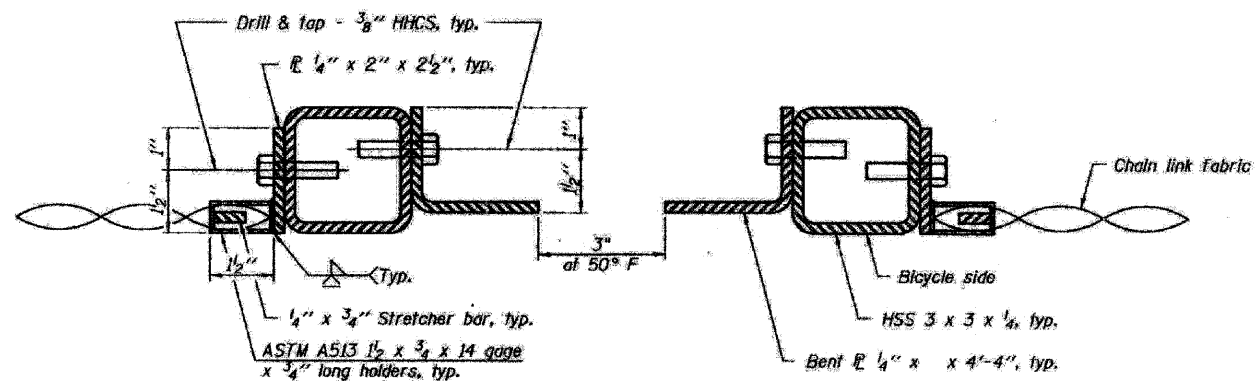


BICYCLE RAILING



DETAIL A DETAIL B DETAIL C

- NOTES:**
1. All steel rail elements shall be galvanized according to Article 509.05 of the Standard Specifications.
 2. All steel rail elements shall meet grade requirements according to Article 1006.34 of the Standard Specifications.



FAU. R/O.	SECTION	COUNTY	TOTAL SHEETS	SHEET NO.
*	**	KANKAKEE	17	17

CONTRACT NO. 87390
FED. ROAD DIST. NO. ILLINOIS FED. AID PROJECT

**06-00001-00-BT

TYSON ENGINEERING, INC.
CONSULTING CIVIL ENGINEERS
LAND SURVEYOR
DESIGN FIRM LICENSE #164-001136
367 SOUTH SCHUYLER AVENUE
KANKAKEE, ILLINOIS 60901
PHONE (815) 932-7406

This document and the ideas and designs incorporated herein, as an instrument of professional service, is the property of Tyson Engineering Inc. and is not to be used in whole or in part, for any other project without written authorization of Tyson Engineering Inc.

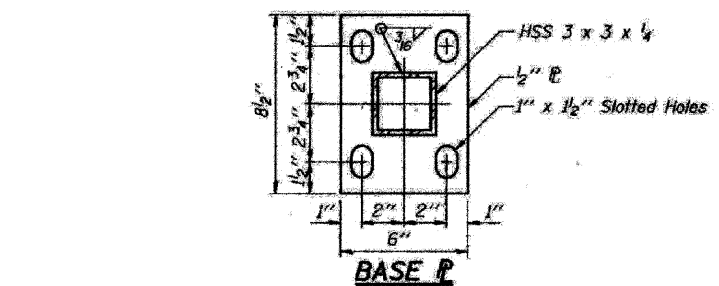
Do not scale drawings. Use dimensions only. Contractor shall be responsible for verifying all dimensions.

Information herein and herein is confidential.

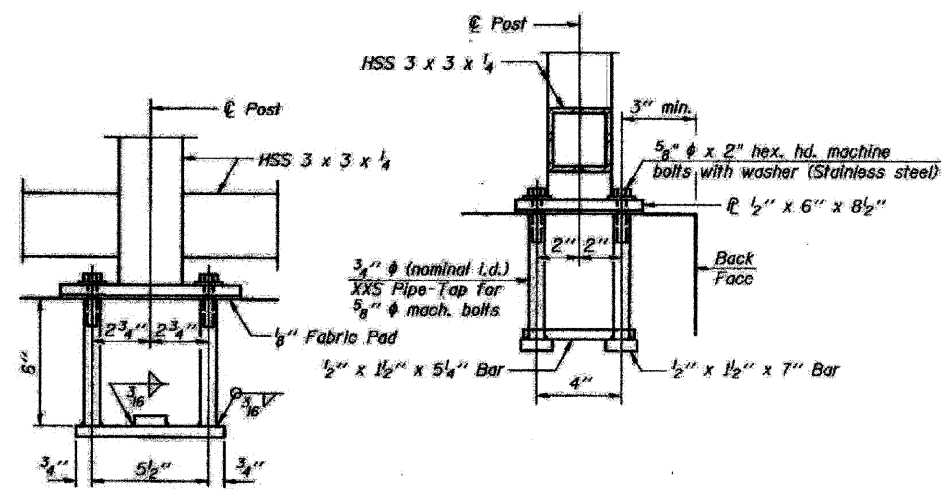
REVISIONS

NO.	DATE	BY	DESCRIPTION
1	3/13/09	NRD	PER IDOT REVIEW

RAILING DETAILS

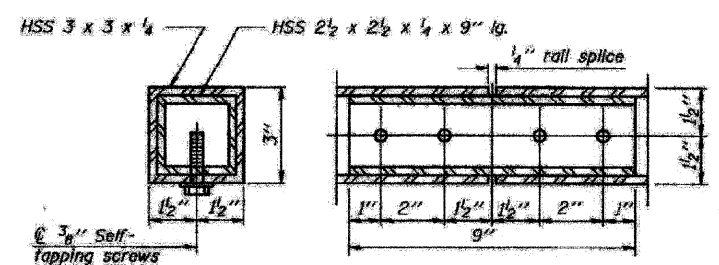


BASE P

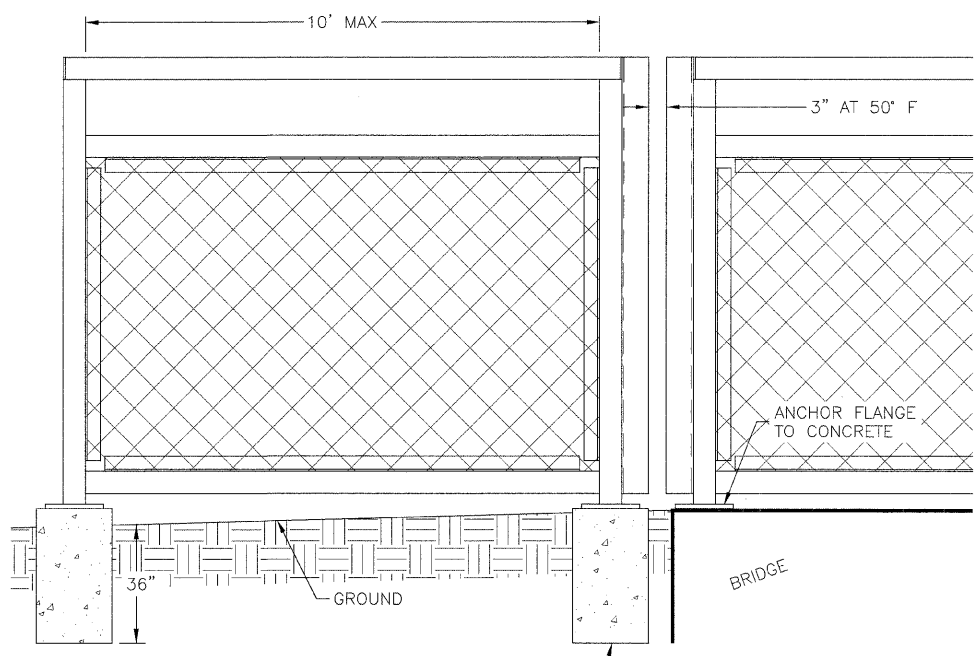


ANCHOR BOLT DETAILS

In lieu of the cast-in-place anchor device shown, the Contractor has the option of drilling and setting 3/8 inch diameter anchor rods according to Article 509.06 of the Standard Specifications. Embedment shall be according to the manufacturer's specifications.



RAIL SPLICE



12" DIAMETER CONCRETE FOUNDATION FOR RAILING. TOP SAME ELEVATION AS ADJACENT STRUCTURE. INCIDENTAL TO BICYCLE RAILING.

BICYCLE RAILING OFF STRUCTURE

IMPROVEMENTS TO SERVE RIVERFRONT TRAIL PHASE 1

PROJECT:

SECTION
06-00001-00-BT

DATE:	DATE	JOB NO. E07093
SCALE:	N/A	FILE NO.
DRAWN BY:	NRD	SHEET 18
CHECKED BY:	SRM	OF 18