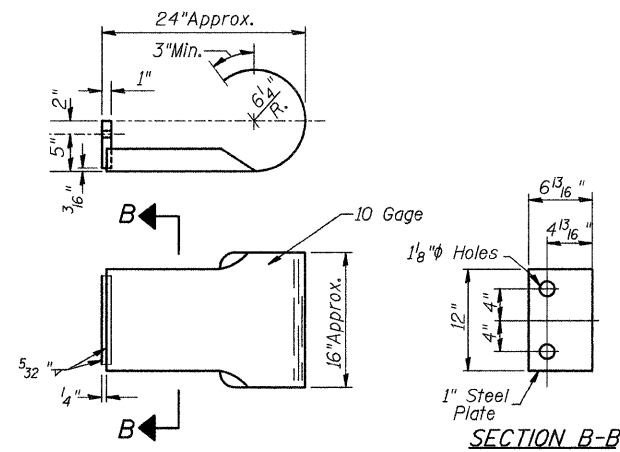
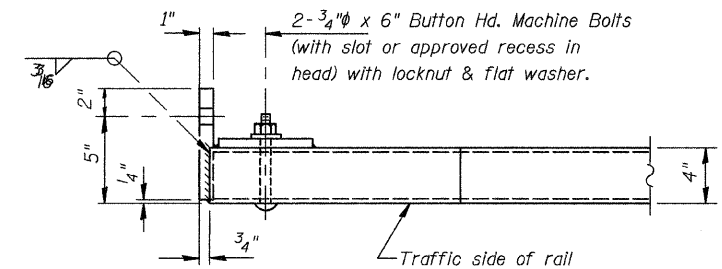
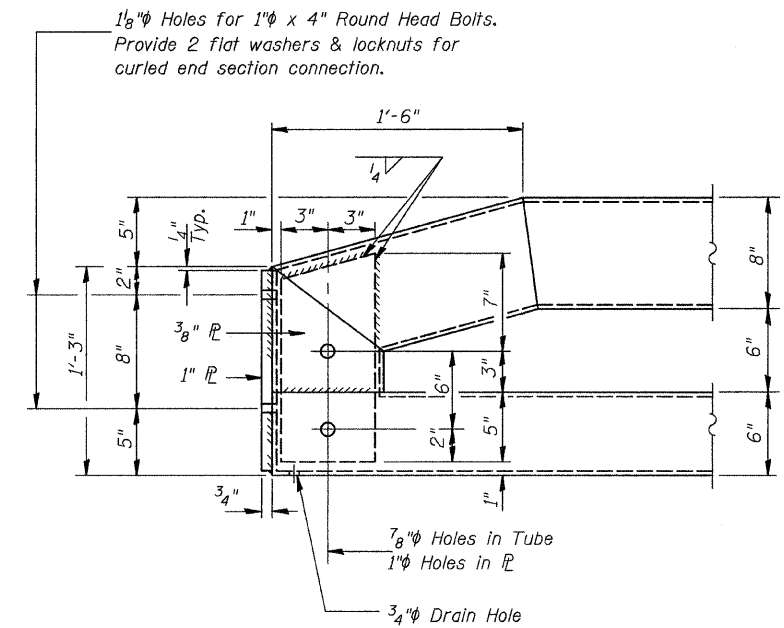
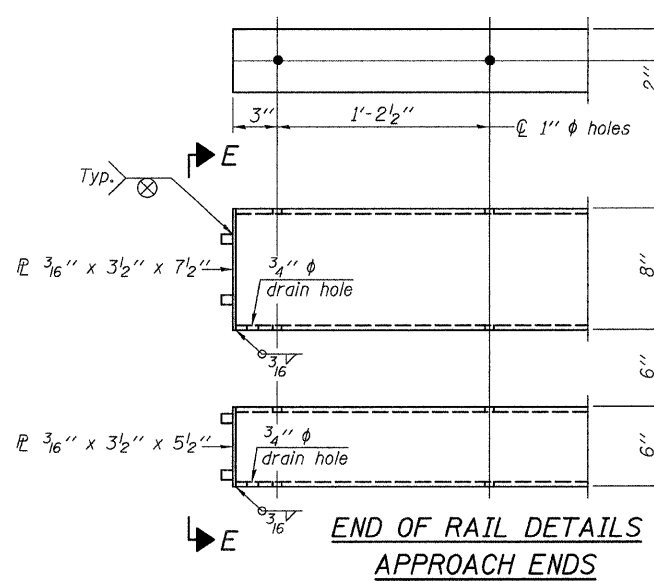
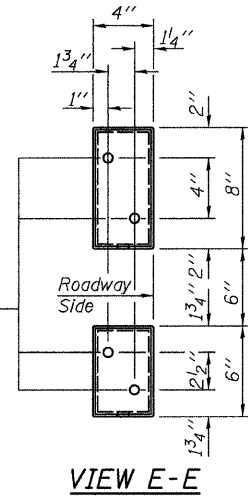


ROUTE NO.	SECTION	COUNTY	TOTAL SHEETS	SHEET NO.
CH 10	*	IROQUOIS	31	15
FED. ROAD DIST. NO. 7	ILLINOIS	PROJECT	BRS-329(105)	
*07-00216-01-BR		CONTRACT #87401		

SHEET NO. 9  
OF 15 SHEETS

④ - 5/8" reduced base welded studs. Provide 4 - 5/8" washers and self-locking nuts or nuts and jam nuts for guardrail connection shown on Std. 631032



**CURLED END SECTION**

(2 Req'd) Cost Included with Steel Bridge Rail, Type SM (Special).  
Terminal Markers - Direct Applied shall be placed on end of each Curled End Section. (N.W. & S.E. Corner)

**STEEL RAILING, TYPE SM (SPECIAL)**  
**COUNTY HIGHWAY 10 OVER**  
**FOUNTAIN CREEK TRIBUTARY**  
**SEC. 07-00216-01-BR**  
**IROQUOIS COUNTY**  
**STATION 20+02.60**  
(Sheet 2 of 2)