

REVISION	DATE

DESIGNED BY:	
CHECKED BY:	
DRAWN BY:	
DATE:	

wendler
 GROUND-BREAKING SOLUTIONS
 engineers - surveyors - scientists
 www.wendlergs.com ph: 815.288.2281
 Illinois Professional Design Firm No. 184-000848

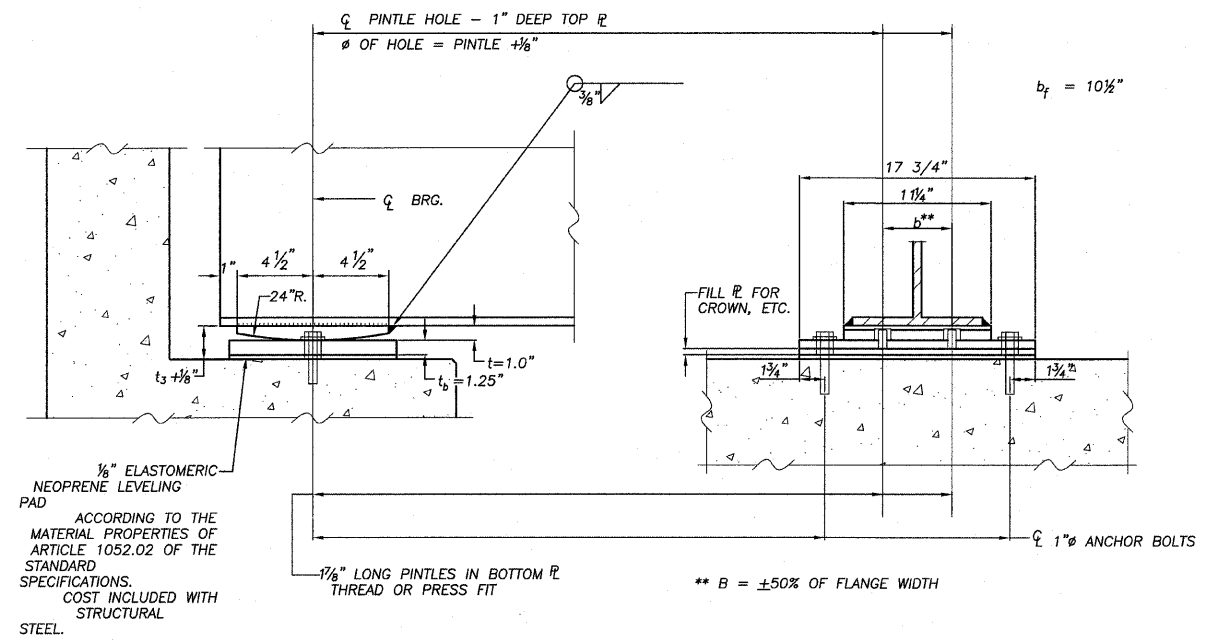
BEARING DETAILS OF SHABBONA ROAD BRIDGE REPLACEMENT FOR DEKALB COUNTY HIGHWAY

SHEET TITLE

JOB NUMBER
2080381

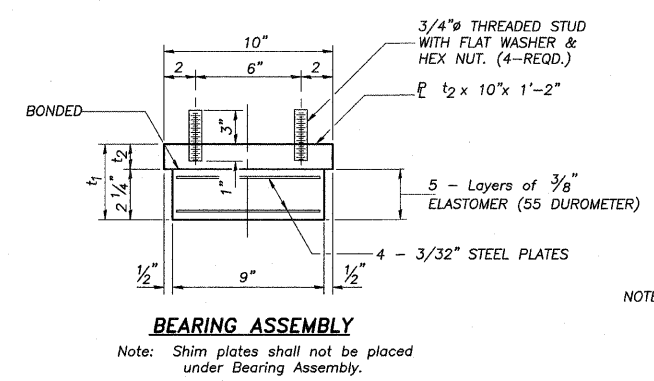
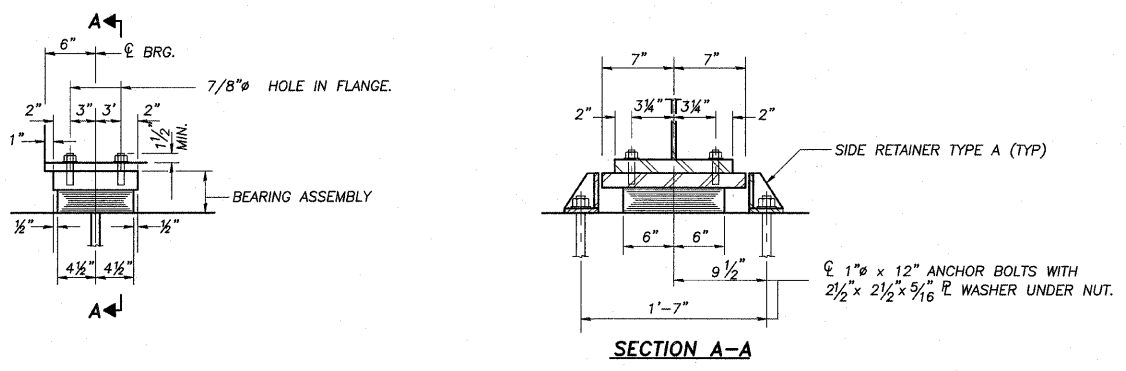
DATE
2/27/2009

SHEET NO.



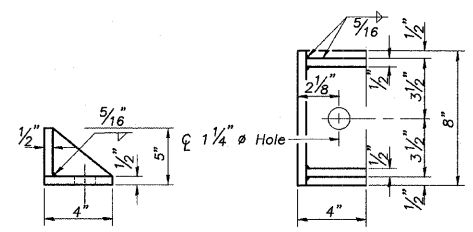
BEAM LINE	t ₁ *	t ₂	t ₃ *
① WEST	4"	1 3/4"	2 1/4"
②	4"	1 3/4"	2 1/4"
③	4"	1 3/4"	2 1/4"
④	4"	1 3/4"	2 1/4"
⑤ EAST	4"	1 3/4"	2 1/4"

* THICKNESS MAY BE MADE UP OF 2" MINIMUM PLATES FULL PERIMETER SHOP WELD ON ALL PLATES



NOTE: THE STRUCTURAL STEEL BEARING PLATES OF THE ELASTOMERIC BEARING ASSEMBLY SHALL CONFORM TO THE REQUIREMENTS OF AASHTO M270 GRADE 50.

TYPE I ELASTOMERIC EXPANSION BRG. - NORTH ABUTS
 (5 REQUIRED)



Equivalent rolled angle with stiffeners will be allowed in lieu of welded plates.
 (10 REQUIRED)

BILL OF MATERIAL

ITEM	UNIT	TOTAL
Elastomeric Bearing Assembly Type 1	EACH	5

BEARING DETAILS
 SECTION 05-00213-00-BR
 SHABBONA ROAD
 DEKALB COUNTY
 SN 019-3066