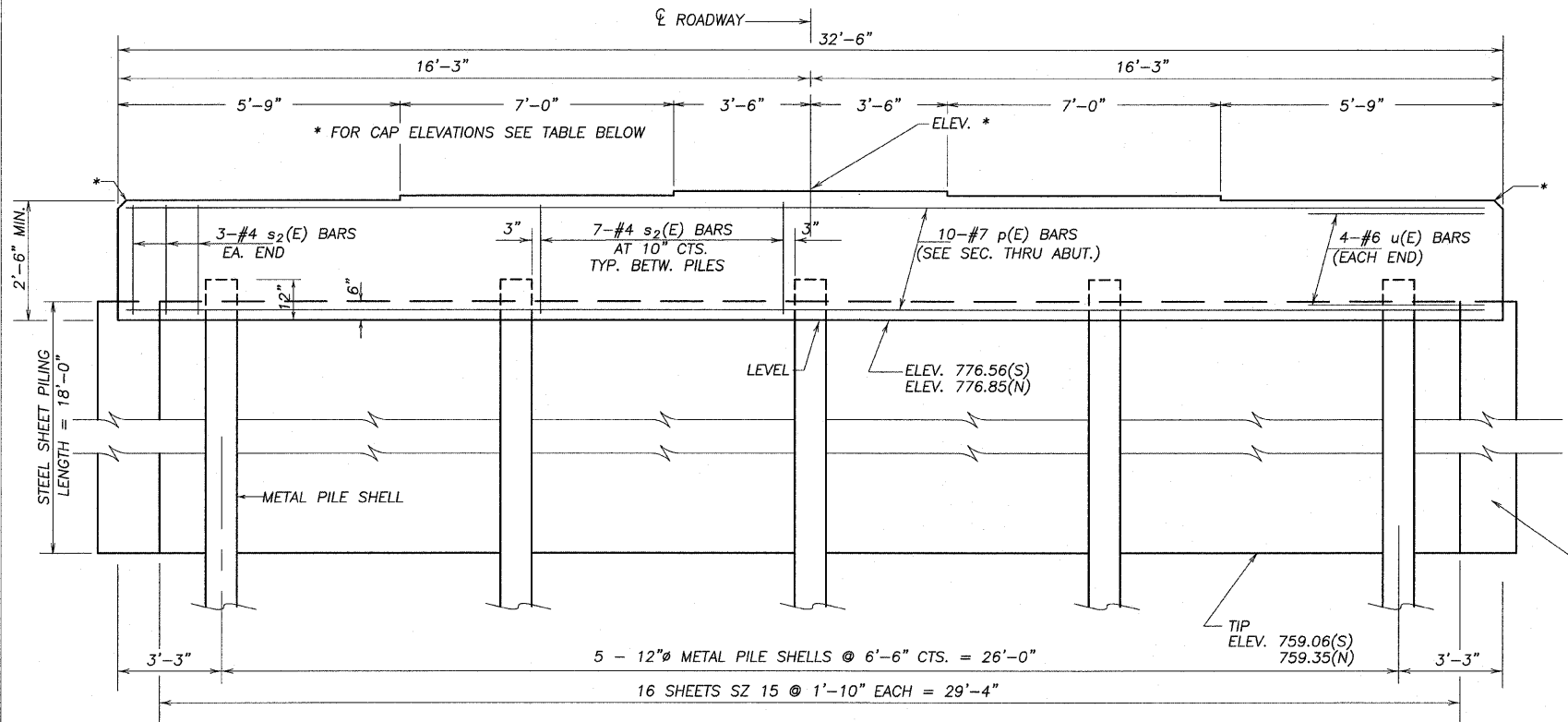


REVISION	DATE

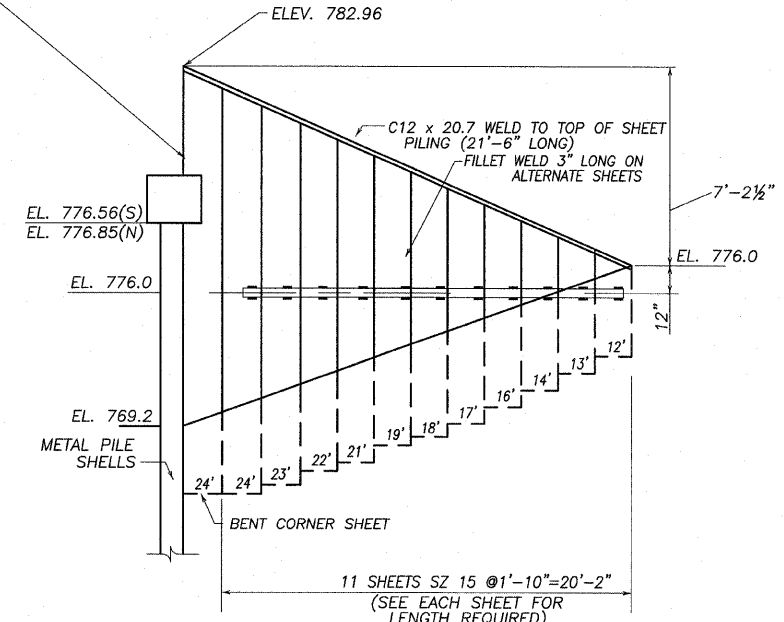
DESIGNED BY:	
DRAWN BY:	
CHECKED BY:	
DATE:	

wendler
 GROUND-BREAKING SOLUTIONS
 engineers - surveyors - scientists
 www.wendlergs.com ph: 815.288.2281
 Illinois Professional Design Firm No. 184-000846

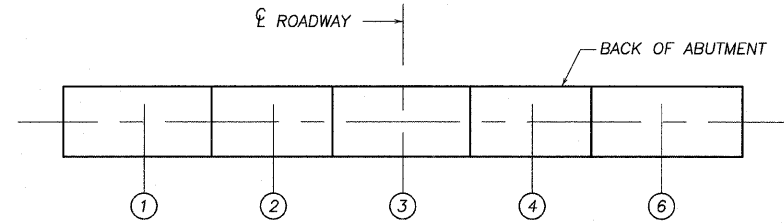


ELEVATION
 ALL HORIZONTAL DIMENSIONS ARE ALONG CENTERLINE OF CAP
 *FOR CAP ELEVATIONS, SEE TABLE BELOW

AFTER THE DECK HAS BEEN POURED, THE CONTRACTOR SHALL WELD A PIECE OF STEEL SHEETING TO THE CORNER SHEET, ABOVE THE ABUTMENT, TO PROVIDE A SOIL STOP BETWEEN THE CORNER SHEET AND THE EDGE OF THE OUTSIDE OF THE DECK. COST INCIDENTAL TO STEEL SHEET PILING.

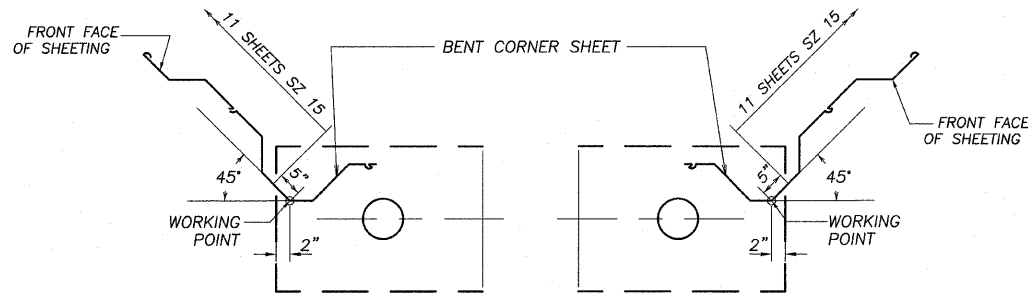


WINGWALL ELEVATION



LOCATION	ELEV.	1	2	3	4	5
NORTH ABUT.		779.35	779.46	779.57	779.46	779.35
SOUTH ABUT.		779.06	779.17	779.28	779.17	779.06

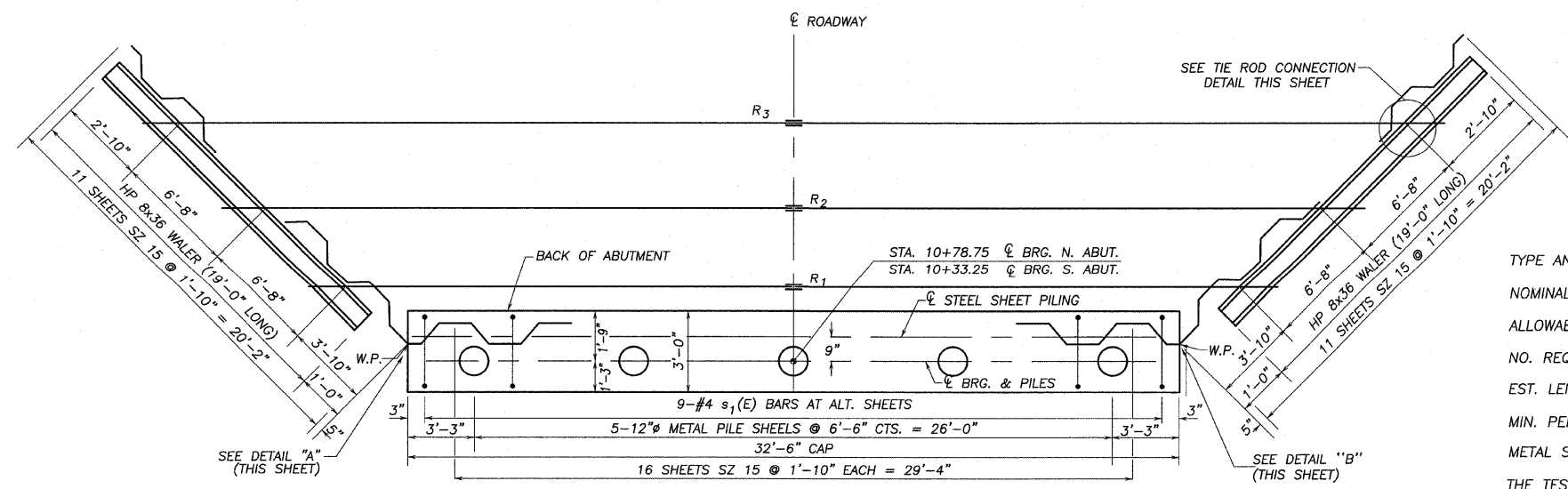
ELEVATION TOP OF ABUTMENT CAP



DETAIL "A" DETAIL "B"

BILL OF MATERIAL - ABUTMENTS

BAR	NO.	SIZE	LENGTH	SHAPE
p(E)	20	#7	32'-0"	—
s ₁ (E)	18	#4	6'-10"	□
s ₂ (E)	68	#4	9'-9"	□
u(E)	16	#6	11'-7"	—
CONCRETE STRUCTURES			CU. YD.	18.7
REINFORCEMENT BARS, EPOXY COATED			POUND	2112
FURNISHING METAL PILE SHELLS 12"x0.250"			FOOT	270
DRIVING PILES			FOOT	270
TEST PILE METAL SHELLS			EACH	1
PERMANENT STEEL SHEET PILING			SQ. FT.	2691
HARDWARE			POUND	1117



PLAN

PILE DATA INFORMATION

TYPE AND SIZE: METAL SHELL 12" DIA. x 0.25 IN. WALLS
 NOMINAL REQUIRED BEARING: 264 KIPS
 ALLOWABLE RESISTANCE AVAILABLE: 88 KIPS
 NO. REQUIRED : 9+1 TEST PILE
 EST. LENGTH: 30'
 MIN. PENETRATION 10' BELOW STREAMBED
 METAL SHELL PILES SHALL BE ACCORDING TO ASTM A252 GRADE 3.
 THE TEST PILES SHALL BE DRIVEN TO 110 PERCENT OF THE NOMINAL REQUIRED BEARING INDICATED IN THE PILE DATA INFORMATION.

REINFORCEMENT BARS INDICATED (E) SHALL BE EPOXY COATED.
 * INCLUDES WALERS & CHANNELS

SUBSTRUCTURE - ABUTMENTS
 OF
SHABBONA ROAD BRIDGE REPLACEMENT
 FOR
DEKALB COUNTY HIGHWAY

SHEET TITLE
ABUTMENT
DETAILS

JOB NUMBER
2080381

DATE
2/27/2009

SHEET NO.
14 of 17

SUBSTRUCTURE - ABUTMENTS
SECTION 05-00213-00-BR
SHABBONA ROAD
DEKALB COUNTY
S.N. 019-3066