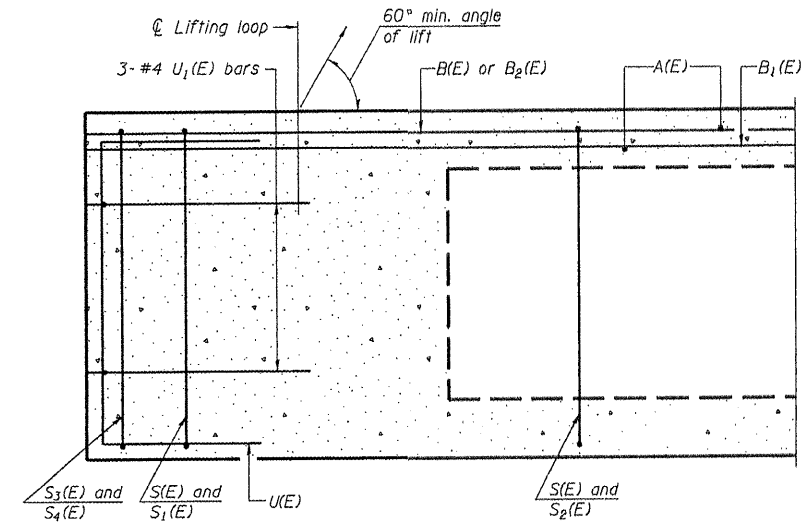
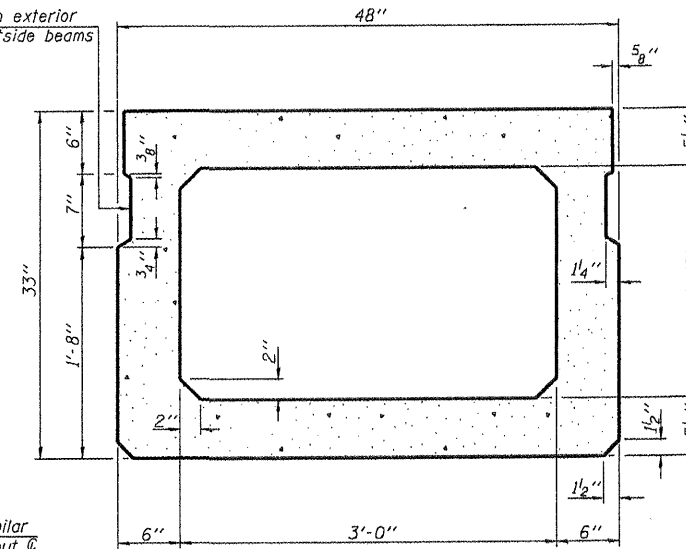


CONTRACT # 89427

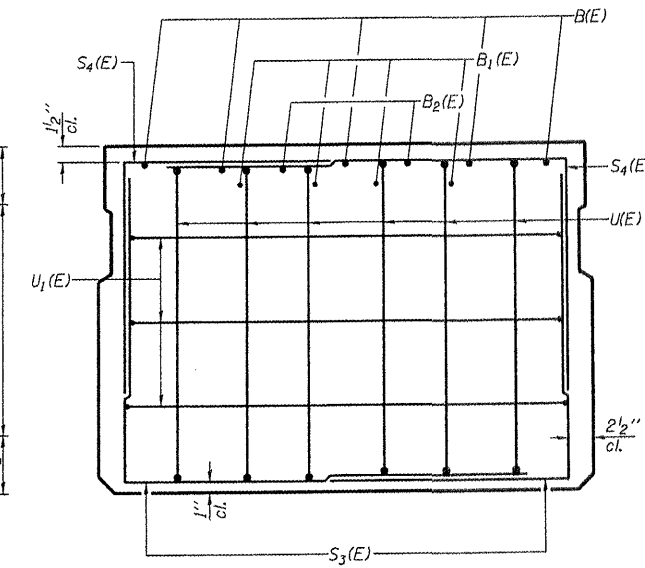


SECTION C-C

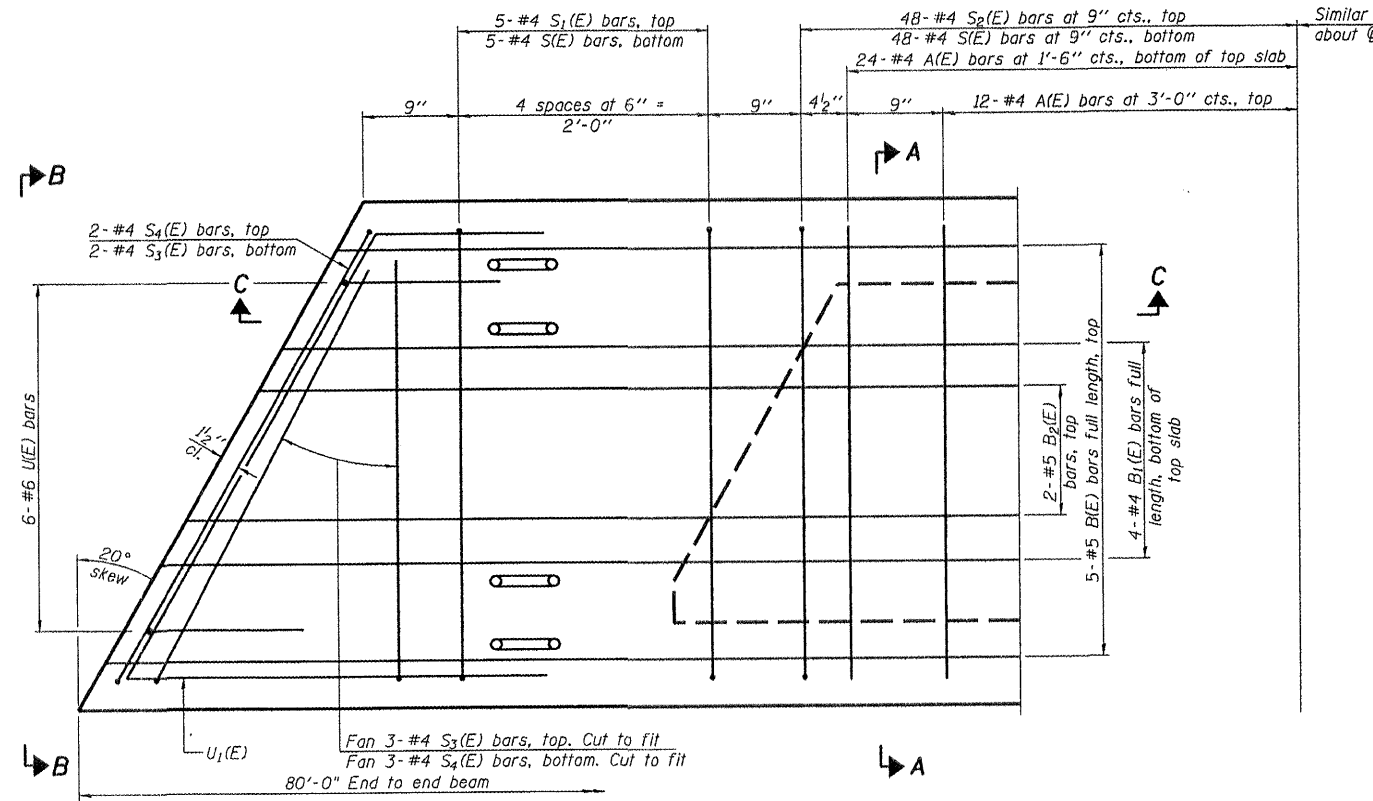
Omit key on exterior face of outside beams



SECTION A-A
(Showing dimensions)



VIEW B-B

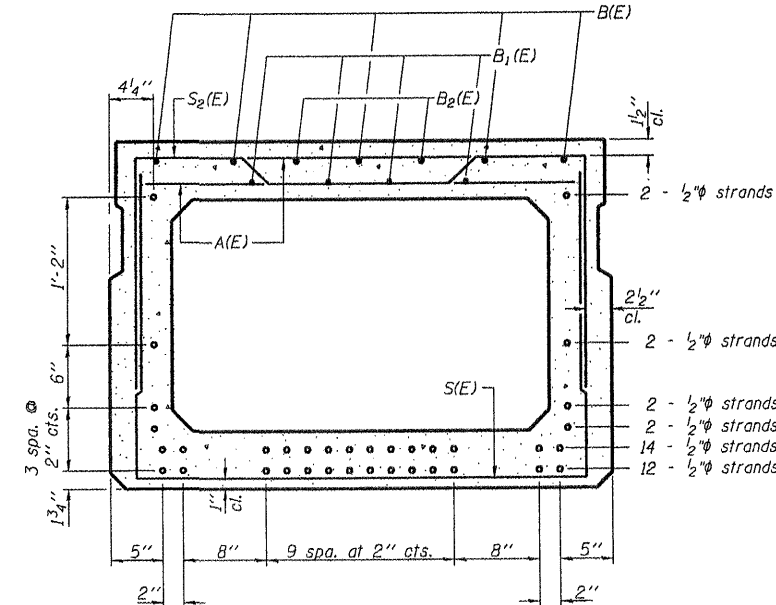


PLAN VIEW

Note: Spacing of S(E) and S2(E) bars may be adjusted up to 4" in the immediate area of the transverse tie diaphragms to miss the block outs for the transverse ties.

Min. Bar Lap

#4 bar = 1'-8"
#5 bar = 2'-2"



SECTION A-A

(Showing reinforcement and permissible strand locations)
Note: Place the number of strands specified in each row symmetrically about the centerline of beam in the permissible strand locations shown.

BAR LIST
ONE BEAM ONLY
(For information only)

Bar	No.	Size	Length	Shape
A(E)	72	#4	3'-7"	—
B(E)	15	#5	28'-0"	—
B1(E)	12	#4	27'-8"	—
B2(E)	6	#5	28'-1"	—
S(E)	106	#4	8'-5"	—
S1(E)	10	#4	7'-3"	—
S2(E)	96	#4	7'-6"	—
S3(E)	10	#4	5'-1"	—
S4(E)	10	#4	4'-6"	—
U(E)	12	#6	5'-0"	—
U1(E)	6	#4	7'-9"	—

Note: See sheet 3 of 7 for additional details and Bill of Material.

33" X 48" PPC DECK BEAM
STRUCTURE NO. 048-3389

SUPERSTRUCTURE			Sheet No.
Date	Designed DCS	C.H. 16 OVER FITCH CREEK SECTION 05-00096-01-BR KNOX COUNTY STA. 10+00.00 PROP. STR. NO. 048-3389	2
Revisions	Drawn DCS		
	Checked MJP		
	Approved KWB		
Prepared by:	URS 345 East Ash Avenue Decatur, IL 62526		of 7 URS Job No. 36432317