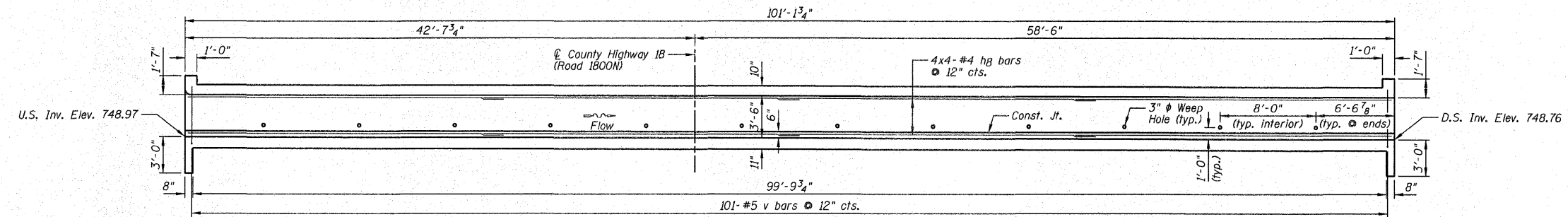
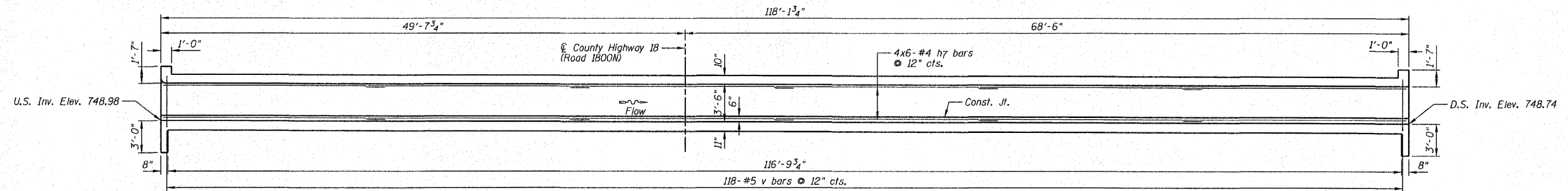
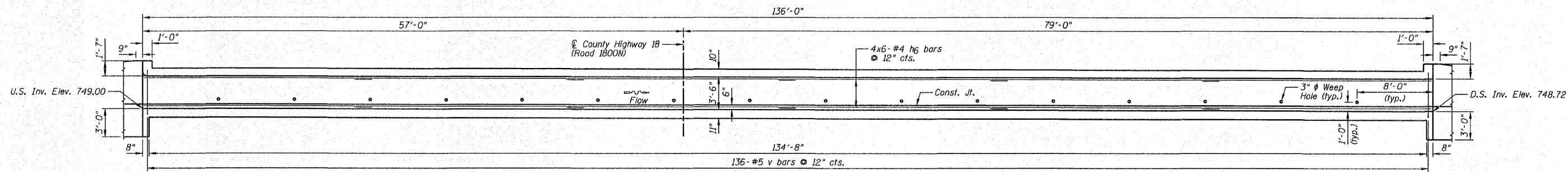


F.A.S. RTE.	SECTION	COUNTY	TOTAL SHEETS	SHEET NO.
358	86-00075-00-AS	WOODFORD	74	31
STA.	TO STA.			
FED. ROAD DIST. NO.	ILLINOIS	FED. AID PROJECT		

SHEET NO. B5
OF 8 SHEETS



- NOTES:**
- 1.) Work this sheet with Sheets B1-B3 & B5-B8.
 - 2.) For Bill of Material, see Sheet B2.
 - 3.) For bar lap length, see the General Notes on Sheet B2.

REVISIONS	
NAME	DATE

CULVERT WALL ELEVATIONS

F.A.S. 358 (C.H. 18)
SECTION 86-00075-00-AS
WOODFORD COUNTY
STATION 1803+33.20
STRUCTURE NO. 102-5035

DESIGNED BY: MSW DRAWN BY: DJM
DATE: 04/08/09 CHECKED BY: MSW