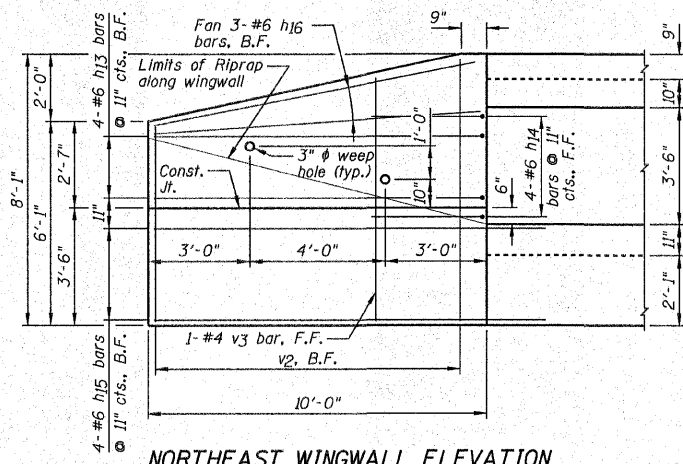
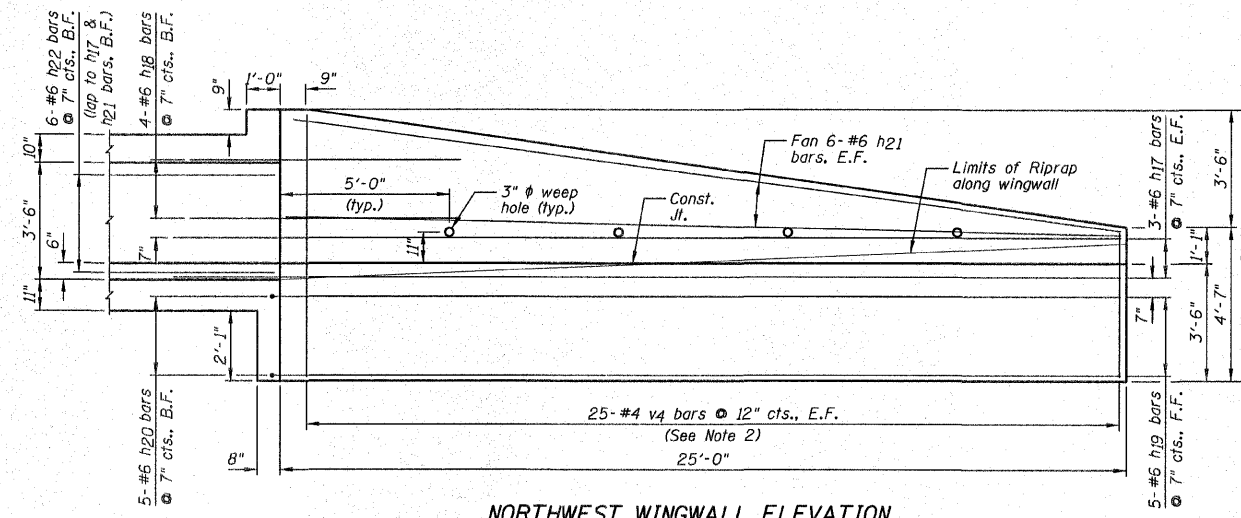


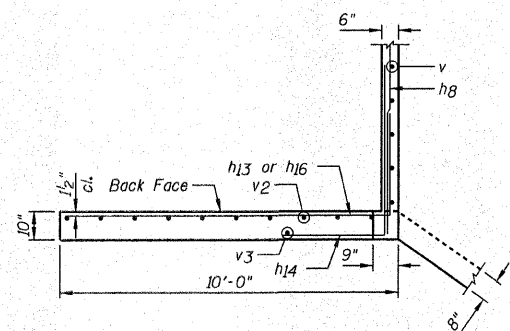
F.A.S. RTE.	SECTION	COUNTY	TOTAL SHEETS	SHEET NO.
358	86-00075-00-AS	WOODFORD	74	34
STA.		TO STA.		
FED. ROAD DIST. NO.		ILLINOIS FED. AID PROJECT		



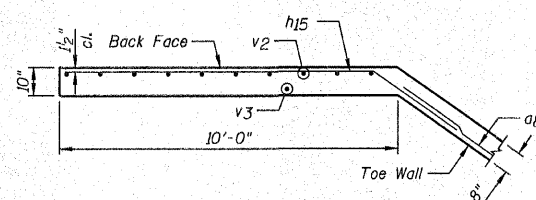
NORTHEAST WINGWALL ELEVATION



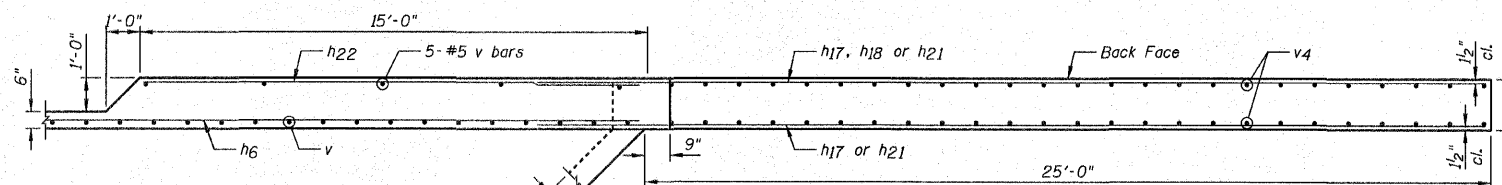
NORTHWEST WINGWALL ELEVATION



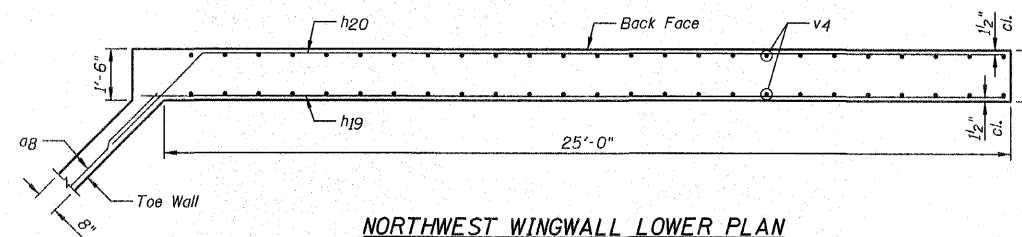
NORTHEAST WINGWALL UPPER PLAN



NORTHEAST WINGWALL LOWER PLAN



NORTHWEST WINGWALL UPPER PLAN



NORTHWEST WINGWALL LOWER PLAN

NOTES:

- 1.) Work this sheet with Sheets B1-B7.
- 2.) Order v4 bars full length, cut according to the Bar Cutting Diagram on Sheet B2. Use remainder of bars in opposite face.
- 3.) For Bill of Material, see Sheet B2.
- 4.) For bar lap length, see the General Notes on Sheet B2.

REVISIONS	
NAME	DATE

WINGWALL DETAILS

F.A.S. 358 (C.H. 18)
SECTION 86-00075-00-AS
WOODFORD COUNTY
STATION 1803+33.20
STRUCTURE NO. 102-5035

DESIGNED BY: MSW
DATE: 04/08/09
DRAWN BY: DJM
CHECKED BY: MSW