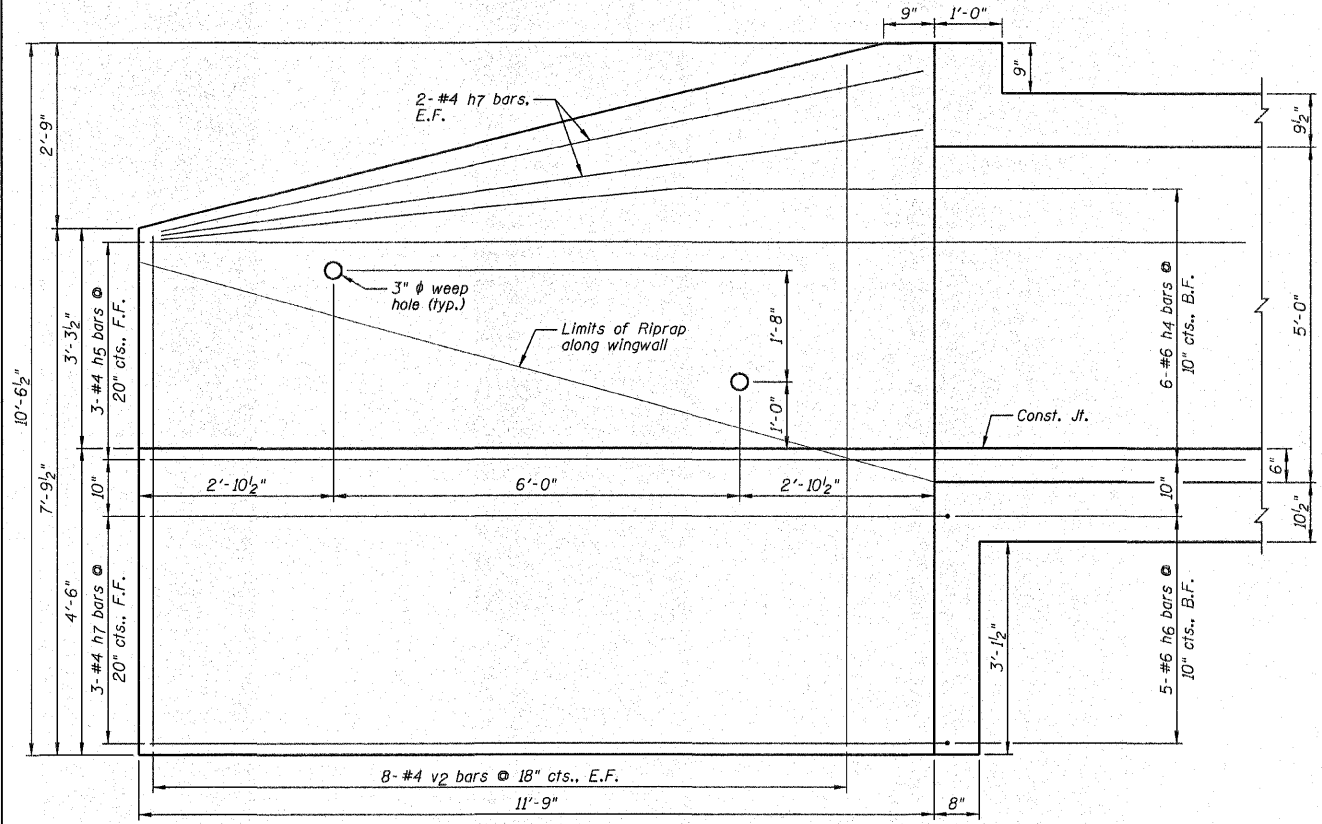
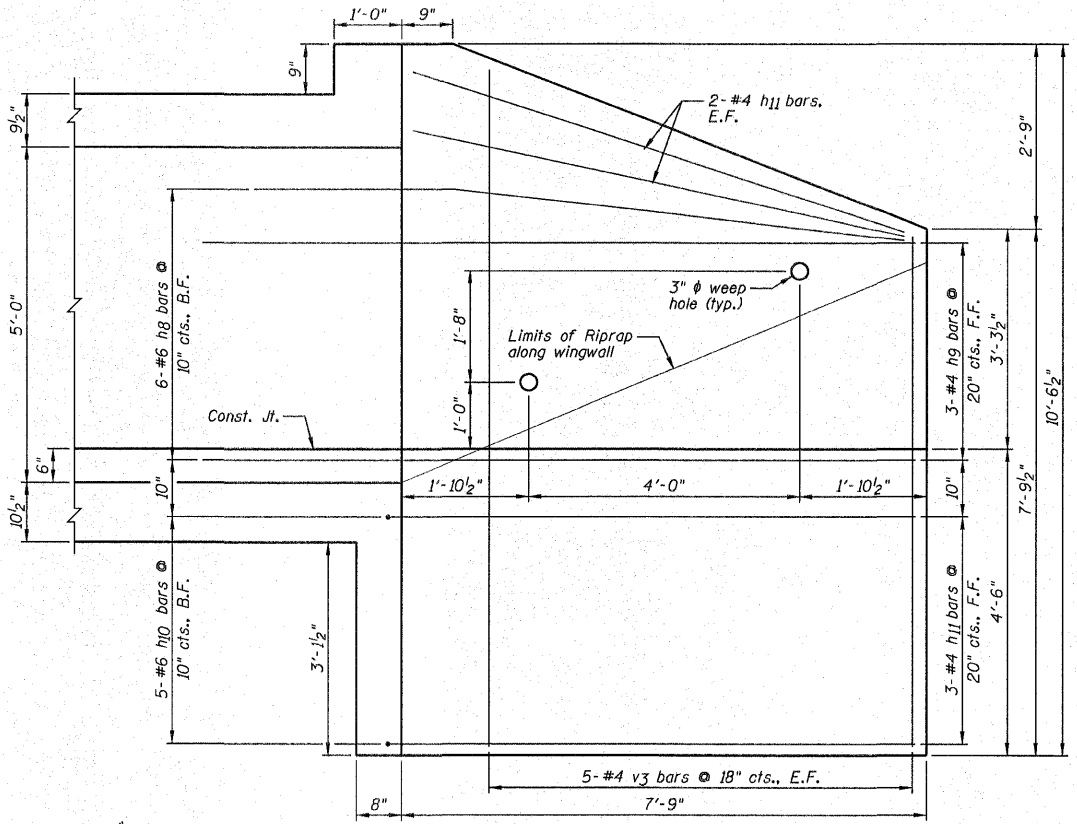


F.A.S. R.T.E.	SECTION	COUNTY	TOTAL SHEETS	SHEET NO.
358	86-00075-00-AS	WOODFORD	74	41
STA.		TO STA.		
FED. ROAD DIST. NO.		ILLINOIS FED. AID PROJECT		

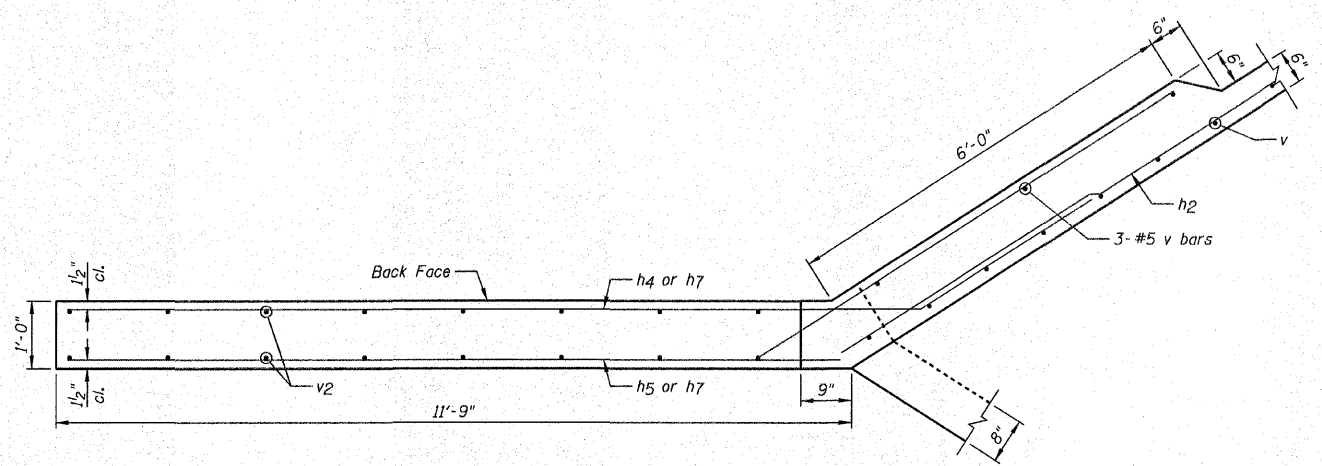
SHEET NO. C7  
OF 9 SHEETS



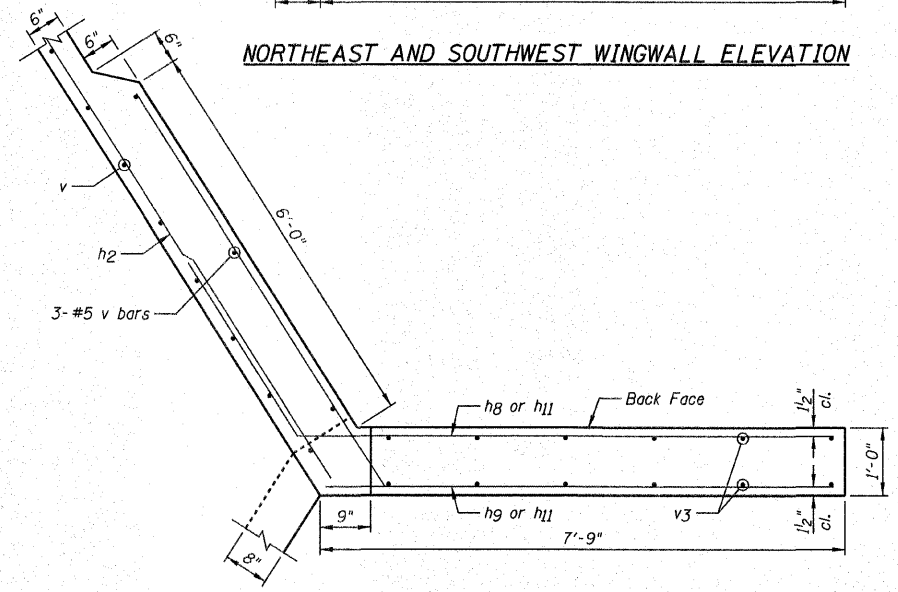
NORTHWEST AND SOUTHEAST WINGWALL ELEVATION



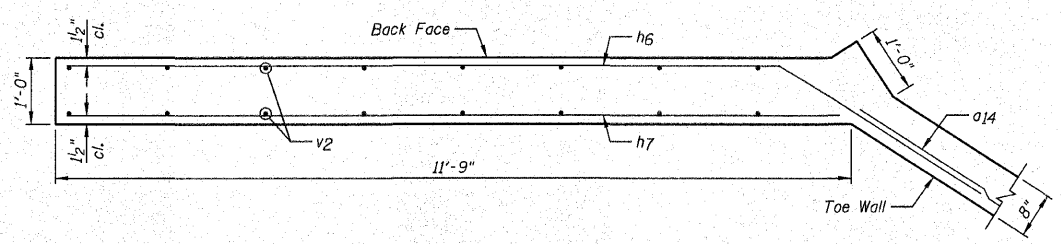
NORTHEAST AND SOUTHWEST WINGWALL ELEVATION



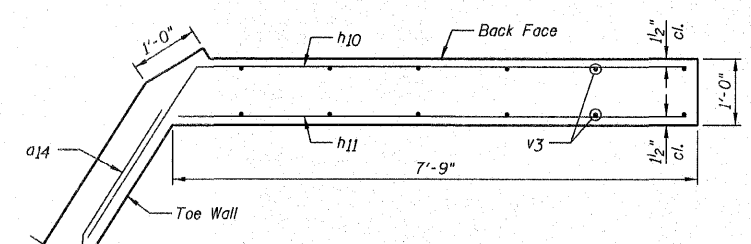
NORTHWEST AND SOUTHEAST WINGWALL UPPER PLAN



NORTHEAST AND SOUTHWEST WINGWALL UPPER PLAN



NORTHWEST AND SOUTHEAST WINGWALL LOWER PLAN



NORTHEAST AND SOUTHWEST WINGWALL LOWER PLAN

- NOTES:**
- 1.) Work this sheet with Sheets C1-C6.
  - 2.) Order v2 and v3 bars full length, cut according to the Bar Cutting Diagram on Sheet C2. Use remainder of bars in Front Face.
  - 3.) For Bill of Material, see Sheet C2.
  - 4.) For bar lap length, see the General Notes on Sheet C2.

REVISIONS	
NAME	DATE

**WINGWALL DETAILS**

F.A.S. 358 (C.H. 1) OVER UNNAMED TRIBUTARY TO RICHLAND CREEK SECTION 86-00075-00-AS WOODFORD COUNTY

STATION 273+80.00 STRUCTURE NO. 102-5034

DESIGNED BY: BJR DRAWN BY: DJM  
DATE: 04/08/09 CHECKED BY: MSW/JML