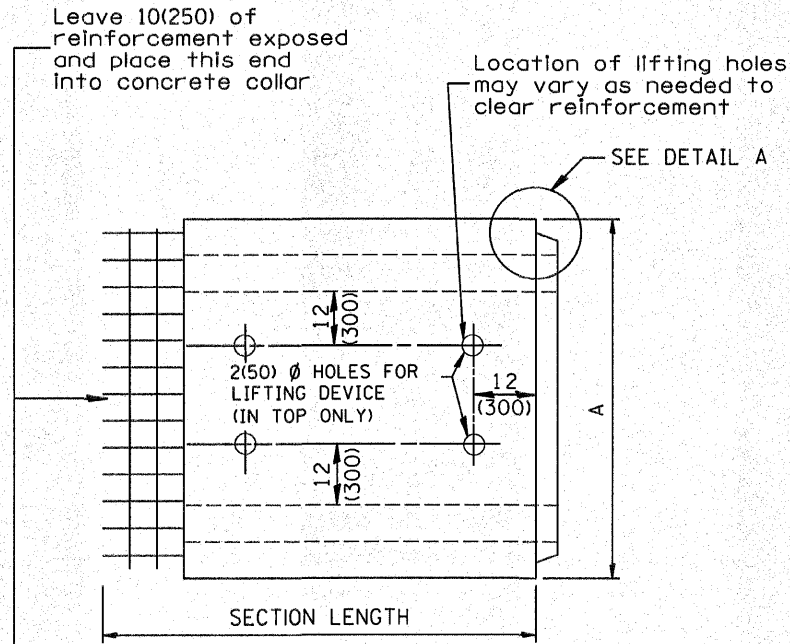
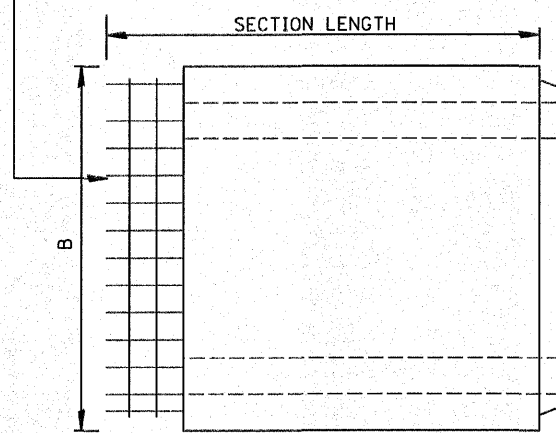


F.A. RTE.	SECTION	COUNTY	TOTAL SHEETS	SHEET NO.
358	86-00075-00-AS	WOODFORD	74	45
STA.		TO STA.		
FED. ROAD DIST. NO.		ILLINOIS	FED. AID PROJECT	

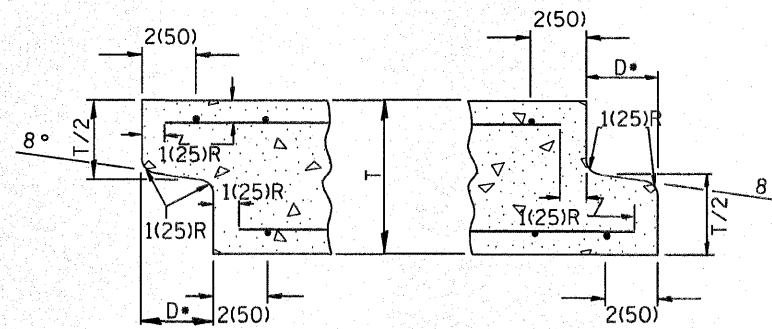
(DIMENSIONS APPLY TO END SECTION AND BOX SECTION DETAILS)



PLAN



ELEVATION

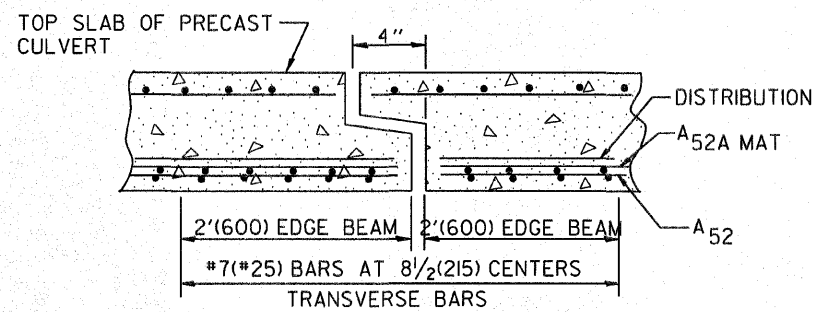


(TYP. INLET END)

(TYP. OUTLET END)

NOTE: Inlet and outlet ends shall be compatible.

\*The D dimension shall conform to the manufacturer's standards.



TYP. JOINT SHOWING EDGE BEAM REINFORCEMENT

NOTE: The additional Reinforcing Steel required for edge beams shall have the same length as As2A. The required area, As10, may be combined with As2 in a single layer or placed in a separate layer as shown above. The additional Steel may be Welded Wire Fabric or grade 60 Deformed Bars.

(See GENERAL NOTES on sheet 1 of 2)

SPAN X RISE ft (mm)	T in (mm)	A	B	C in (mm)	E in (mm)	F	G	H in (mm)	SLOPE (Y : X)
2x2 (600x600)	4(100)	32(815)	32(815)	4(100)	9(610)	36(915)	12(305)	12(305)	1 : 3
2x3 (600x900)	4(100)	32(815)	3'-8" (1.12m)	4(100)	24(610)	4'-0" (1.22m)	20(510)	16(410)	1 : 3
3x2 (900x600)	4(100)	3'-8" (1.12m)	32(815)	4(100)	36(915)	36(915)	12(305)	12(305)	1 : 3
3x2.5 (900x750)	4(100)	3'-8" (1.12m)	38(965)	4(100)	30(760)	3'-6" (1.07m)	16(410)	14(355)	1 : 3
3x3 (900x900)	4(100)	3'-8" (1.12m)	3'-8" (1.12m)	4(100)	24(610)	4'-0" (1.22m)	20(510)	16(410)	1 : 3
4x2 (1200x600)	5(125)	4'-10" (1.48m)	34(865)	5(125)	36(915)	36(915)	12(305)	12(305)	1 : 3
4x3 (1200x900)	5(125)	4'-10" (1.48m)	3'-10" (1.17m)	5(125)	24(610)	4'-0" (1.22m)	20(510)	16(410)	1 : 3
4x4 (1200x1200)	5(125)	4'-10" (1.48m)	4'-10" (1.48m)	5(125)	24(610)	4'-0" (1.22m)	24(610)	24(610)	1 : 2
4x5 (1200x1500)	5(125)	4'-10" (1.48m)	5'-10" (1.78m)	5(125)	24(610)	4'-0" (1.22m)	36(915)	24(610)	1 : 2
4x6 (1200x1800)	5(125)	4'-10" (1.48m)	6'-10" (2.09m)	5(125)	24(610)	4'-0" (1.22m)	4'-0" (1.22m)	4'-0" (1.22m)	1 : 2
5x2 (1500x600)	6(150)	6'-0" (1.83m)	36(915)	6(150)	36(915)	36(915)	12(305)	12(305)	1 : 3
5x3 (1500x900)	6(150)	6'-0" (1.83m)	4'-0" (1.22m)	6(150)	24(610)	4'-0" (1.22m)	20(510)	16(410)	1 : 3
5x4 (1500x1200)	6(150)	6'-0" (1.83m)	5'-0" (1.52m)	6(150)	24(610)	4'-0" (1.22m)	24(610)	24(610)	1 : 2
5x5 (1500x1500)	6(150)	6'-0" (1.83m)	6'-0" (1.83m)	6(150)	24(610)	4'-0" (1.22m)	36(915)	24(610)	1 : 2
6x2 (1800x600)	7(175)	7'-2" (2.17m)	38(965)	7(175)	36(915)	36(915)	12(305)	12(305)	1 : 3
6x3 (1800x900)	7(175)	7'-2" (2.17m)	4'-2" (1.27m)	7(175)	24(610)	4'-0" (1.22m)	20(510)	16(410)	1 : 3
6x4 (1800x1200)	7(175)	7'-2" (2.17m)	5'-2" (1.57m)	7(175)	24(610)	4'-0" (1.22m)	24(610)	24(610)	1 : 2
6x5 (1800x1500)	7(175)	7'-2" (2.17m)	6'-2" (1.88m)	7(175)	24(610)	4'-0" (1.22m)	36(915)	24(610)	1 : 2
6x6 (1800x1800)	7(175)	7'-2" (2.17m)	7'-2" (2.17m)	7(175)	24(610)	4'-0" (1.22m)	4'-0" (1.22m)	24(610)	1 : 2
7x4 (2100x1200)	8(200)	8'-4" (2.54m)	5'-4" (1.63m)	8(200)	24(610)	4'-0" (1.22m)	24(610)	24(610)	1 : 2
7x5 (2100x1500)	8(200)	8'-4" (2.54m)	6'-4" (1.93m)	8(200)	24(610)	4'-0" (1.22m)	36(915)	24(610)	1 : 2
7x6 (2100x1800)	8(200)	8'-4" (2.54m)	7'-4" (2.24m)	8(200)	24(610)	4'-0" (1.22m)	4'-0" (1.22m)	24(610)	1 : 2
7x7 (2100x2100)	8(200)	8'-4" (2.54m)	8'-4" (2.54m)	8(200)	24(610)	4'-0" (1.22m)	5'-0" (1.52m)	24(610)	1 : 2
8x4 (2400x1200)	8(200)	9'-4" (2.84m)	5'-4" (1.63m)	8(200)	24(610)	4'-0" (1.22m)	24(610)	24(610)	1 : 2
8x5 (2400x1500)	8(200)	9'-4" (2.84m)	6'-4" (1.93m)	8(200)	24(610)	4'-0" (1.22m)	36(915)	24(610)	1 : 2
8x6 (2400x1800)	8(200)	9'-4" (2.84m)	7'-4" (2.24m)	8(200)	24(610)	4'-0" (1.22m)	4'-0" (1.22m)	24(610)	1 : 2
9x5 (2700x1500)	9(225)	10'-6" (3.2m)	6'-6" (1.98m)	9(225)	24(610)	4'-0" (1.22m)	36(915)	24(610)	1 : 2
9x6 (2700x1800)	9(225)	10'-6" (3.2m)	7'-6" (2.29m)	9(225)	24(610)	4'-0" (1.22m)	4'-0" (1.22m)	24(610)	1 : 2

All dimensions are in inches (millimeters) unless otherwise noted.

ILLINOIS DEPARTMENT OF TRANSPORTATION  
**DISTRICT CADD STANDARD**  
 PRECAST CONCRETE BOX CULVERTS  
 (SPECIAL), END SECTION (SPECIAL), &  
 DROP BOX END SECTIONS (SPECIAL)  
 CADD STANDARD 540401-D4(2)  
 SCALE: NOT TO SCALE  
 DRAWN BY CADD  
 CHECKED BY  
 SHEET 2 OF 2