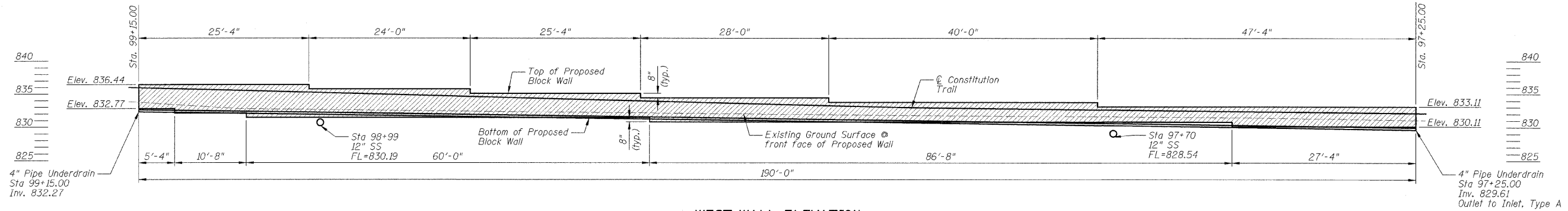
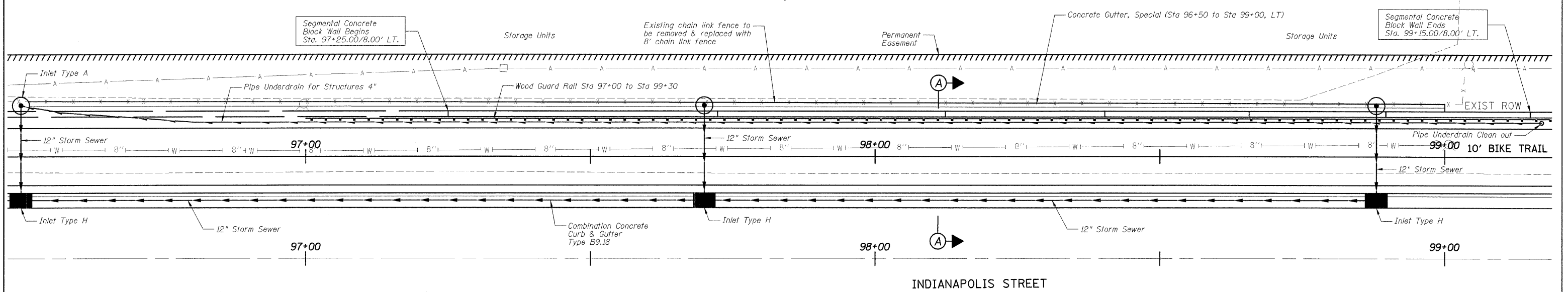


F.A. RTE.	SECTION	COUNTY	TOTAL SHEETS	SHEET NO.
	05-00333-00-BT	McLEAN	56	19
STA.	TO STA.			
FED. ROAD DIST. NO.	ILLINOIS	FED. AID PROJECT		

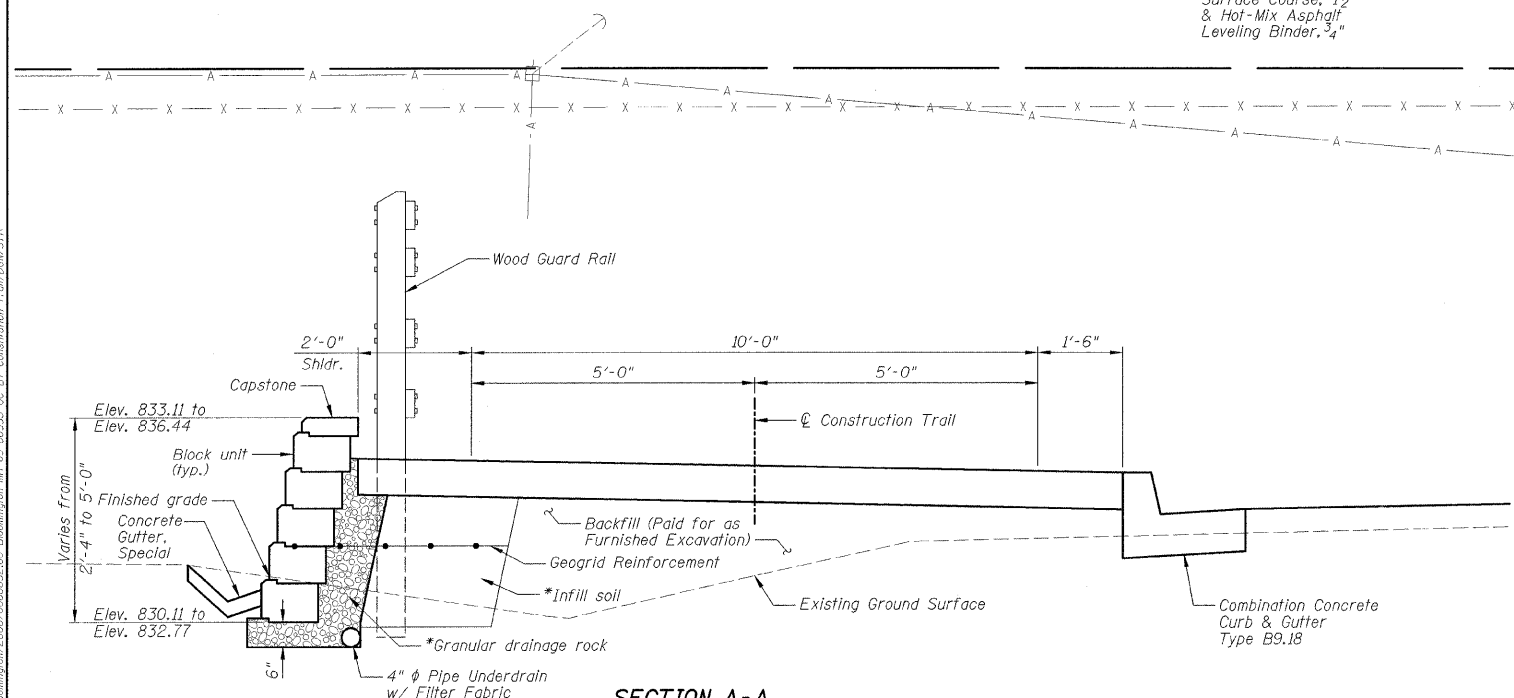


WEST WALL ELEVATION
(Looking East)



INDIANAPOLIS STREET

PLAN



SECTION A-A

*Included in cost of Segmental Concrete Block Wall.

**SEGMENTAL CONCRETE BLOCK WALL
BILL OF MATERIAL**

ITEMS	UNITS	TOTAL
Pipe Underdrains For Structures 4"	Foot	268
Segmental Concrete Block Wall	Sq. Ft.	660
Clear Protective Coating For Concrete	Sq. Ft.	660
Pipe Underdrain Cleanout, Complete	Each	2
Concrete Gutter, Special	Foot	250



NOTES:

- 1.) See Sheet NW1 for notes, etc.
- 2.) See Sheets 8 & 14 for Constitution Trail Work.
- 3.) Entire Block Retaining Wall to have Clear Protective Coating for Concrete applied.

CITY OF BLOOMINGTON, ILLINOIS
SECTION 05-00333-00-BT

SEGMENTAL CONCRETE BLOCK WALL
STA 97+25 TO STA 99+15
GENERAL PLAN AND ELEVATION

DRAWN BY DJM/JTC	<p>2704 McGraw Drive Bloomington, Illinois 61704 800/888-8488, 808/888-1871 fax</p>	FILE NO. 24-8173
DATE 01/30/09		BOOK NO. 2752
CHECKED BY MSW		SHEET NO. 19 OF 56