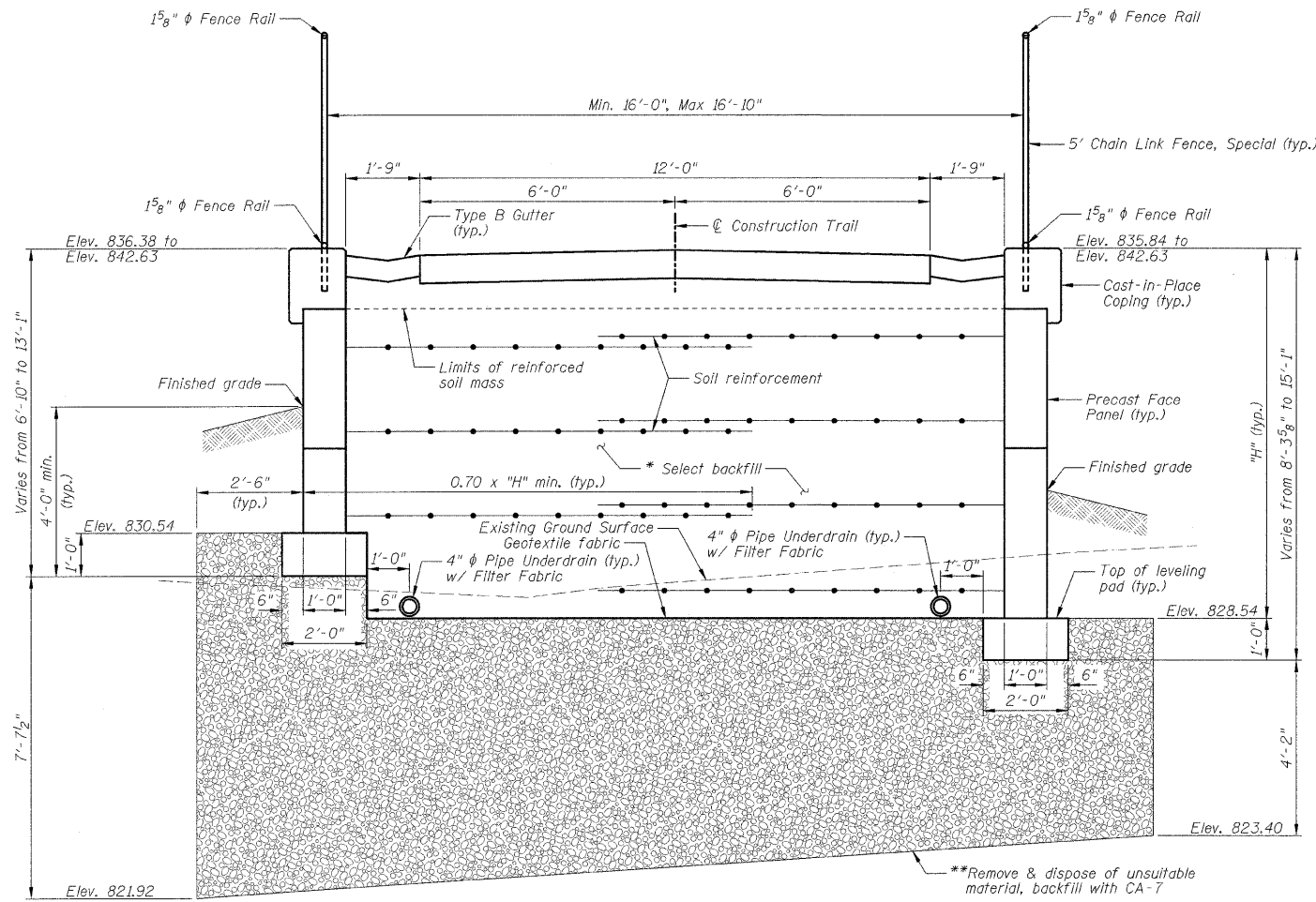
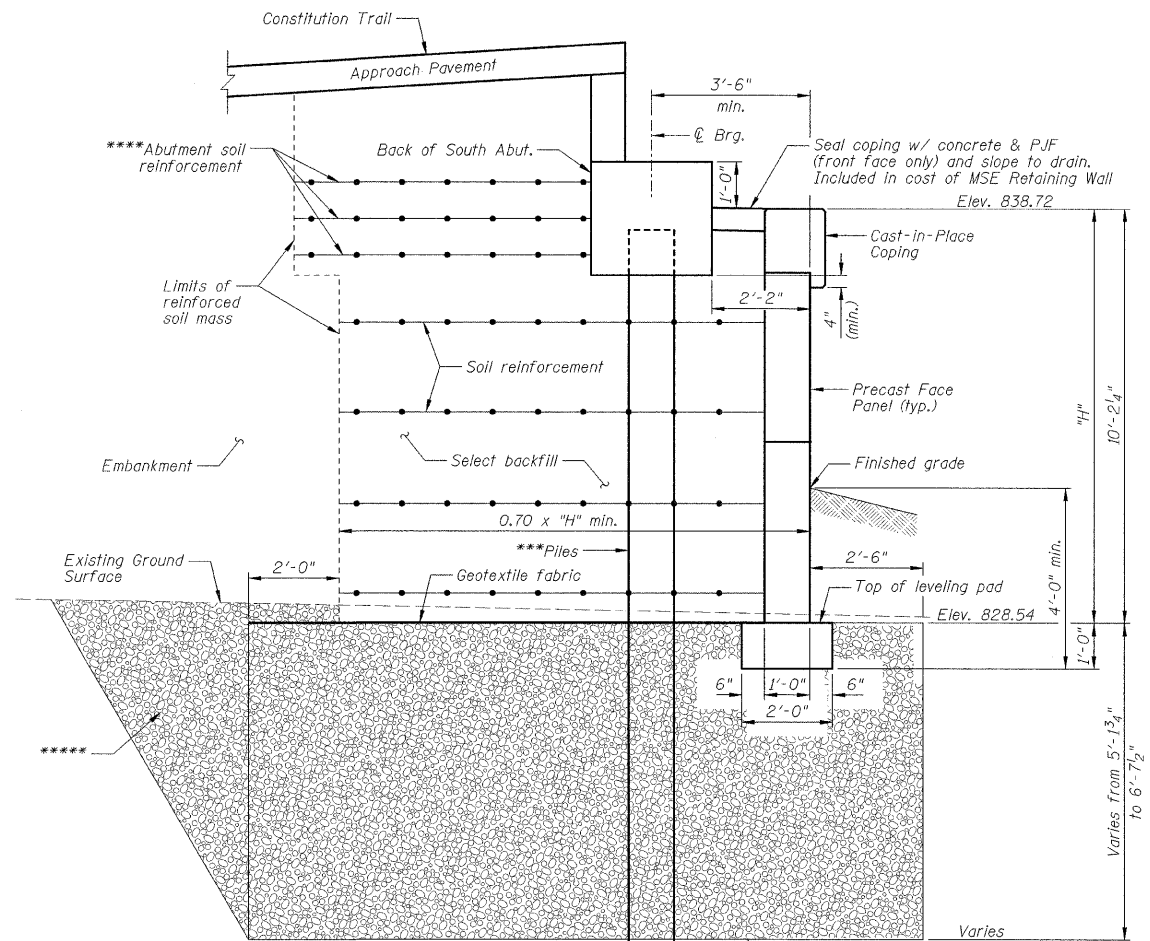


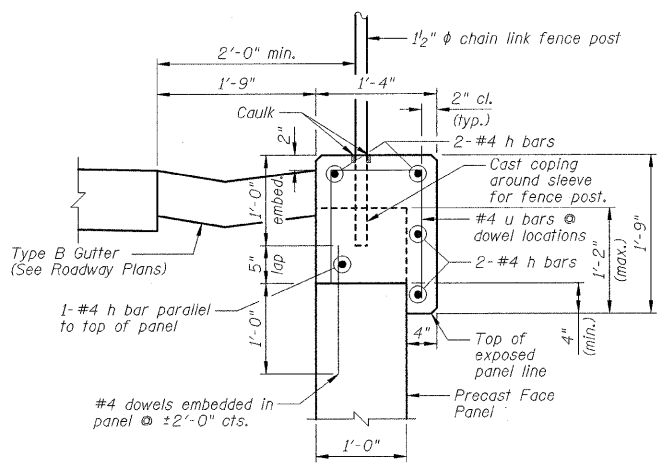
| | | | | |
|---------------------|----------------|------------------|--------------|-----------|
| F.A. RTE. | SECTION | COUNTY | TOTAL SHEETS | SHEET NO. |
| | 05-00333-00-BT | McLEAN | 56 | 21 |
| STA. | TO STA. | | | |
| FED. ROAD DIST. NO. | ILLINOIS | FED. AID PROJECT | | |



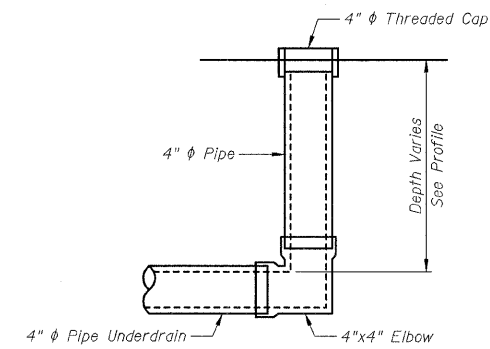
SECTION B-B



SECTION C-C



CAST-IN-PLACE COPING DETAIL



PIPE UNDERDRAIN CLEANOUT, COMPLETE

MSE RETAINING WALL BILL OF MATERIAL

| ITEMS | UNITS | TOTAL |
|--|---------|-------|
| Removal And Disposal Of Unsuitable Material | Cu. Yd. | 380 |
| Porous Granular Embankment, Special | Cu. Yd. | 380 |
| Pipe Underdrains For Structures 4" | Foot | 244 |
| Chain Link Fence, 5' (Special) | Foot | 193 |
| Mechanically Stabilized Earth Retaining Wall | Sq. Ft. | 2452 |
| Clear Protective Coating For Concrete | Sq. Ft. | 1496 |
| Pipe Underdrain Cleanout, Complete | Each | 4 |

MSE RETAINING WALL NOTES

- 1.) Contractor to field verify existing elevations and dimensions before starting construction. Notify owner's representative of any discrepancies.
- 2.) Contractor to field locate all utilities before starting construction.
- 3.) After excavation is complete to bottom of gravel base and before installing the gravel base, the contractor shall contact the owner's representative to check the strength of the soil. The minimum unconfined compressive strength required is 1500 psi.
- 4.) Backfill material shall be as recommended by the manufacturer and placement of fill shall also be recommended by the manufacturer.
- 5.) The Filter Fabric required around the 4 inch perforated drain tile shall meet the requirements of section 1080.05 of the Standard Specifications for Road and Bridge Construction in Illinois Adopted January 1, 2007.
- 6.) All work shall be performed in accordance with the Standard Specifications for Road and Bridge Construction in Illinois adopted January 1, 2007.
- 7.) The contractor shall take all precautions necessary to protect the structures from any damage due to the construction operation. Any items damaged by the contractor shall be repaired by the contractor at the contractor's expense to the satisfaction of the owner.
- 8.) The contractor shall install a gravel base under the retaining wall as shown in the plans and in accordance with the manufacturer's instructions.
- 9.) See Standard 664001 for other chain link fence details.

- *Included in cost of Mechanically Stabilized Earth Retaining Wall.
- **Backfill material included in the cost of Porous Granular Embankment, Special.
- ***Piles shall be driven prior to placement of the reinforced select fill and coated with coal tar epoxy from the bottom of the select fill to 1" above the base of the abutment. The cost of the coal tar epoxy coating shall be included with the cost of the Furnishing Piles.
- ****The MSE wall supplier shall design the abutment soil reinforcement to resist a horizontal force of 1.7 kips/ft. of abutment.
- *****Overexcavation beyond removal of unsuitable material. This area not measured for payment. Backfill over excavation with same material used for Porous Granular Embankment, Special or select fill used in MSE wall.

CITY OF BLOOMINGTON, ILLINOIS
SECTION 05-00333-00-BT

SOUTH RETAINING WALLS
PHASE II
SECTIONS AND DETAIL

| | | |
|---------------------|---|-----------------------|
| DRAWN BY DJM/JTC | <p>2709 Midway Drive Bloomington, Illinois 61704 309/868-0435, 309/868-1671 fax</p> | FILE NO. 24-8173 |
| DATE 01/30/09 | | BOOK NO. 2752 |
| CHECKED BY MSW | | SHEET NO. 21 of 56 |
| | | |