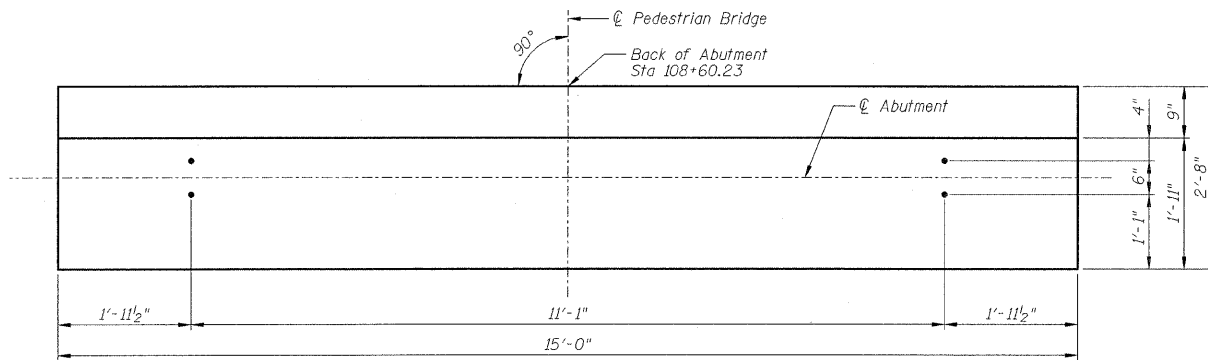
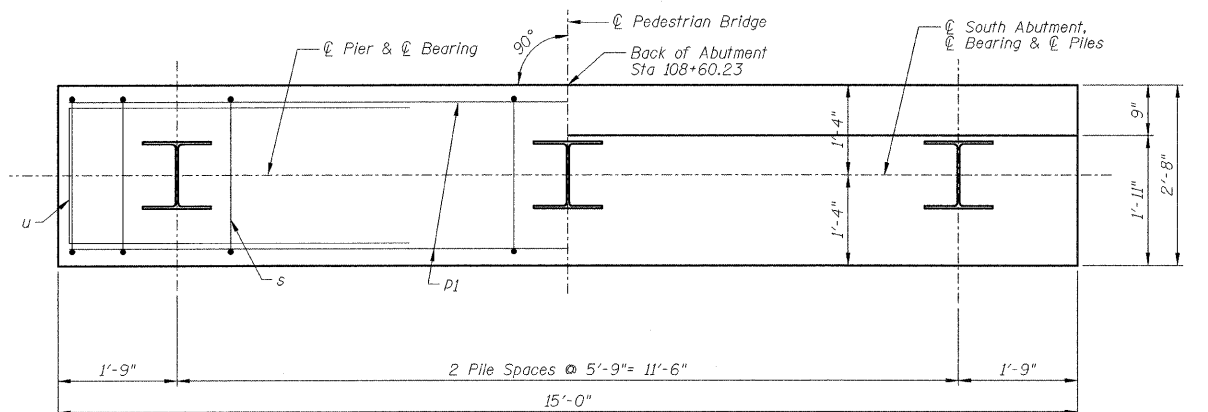


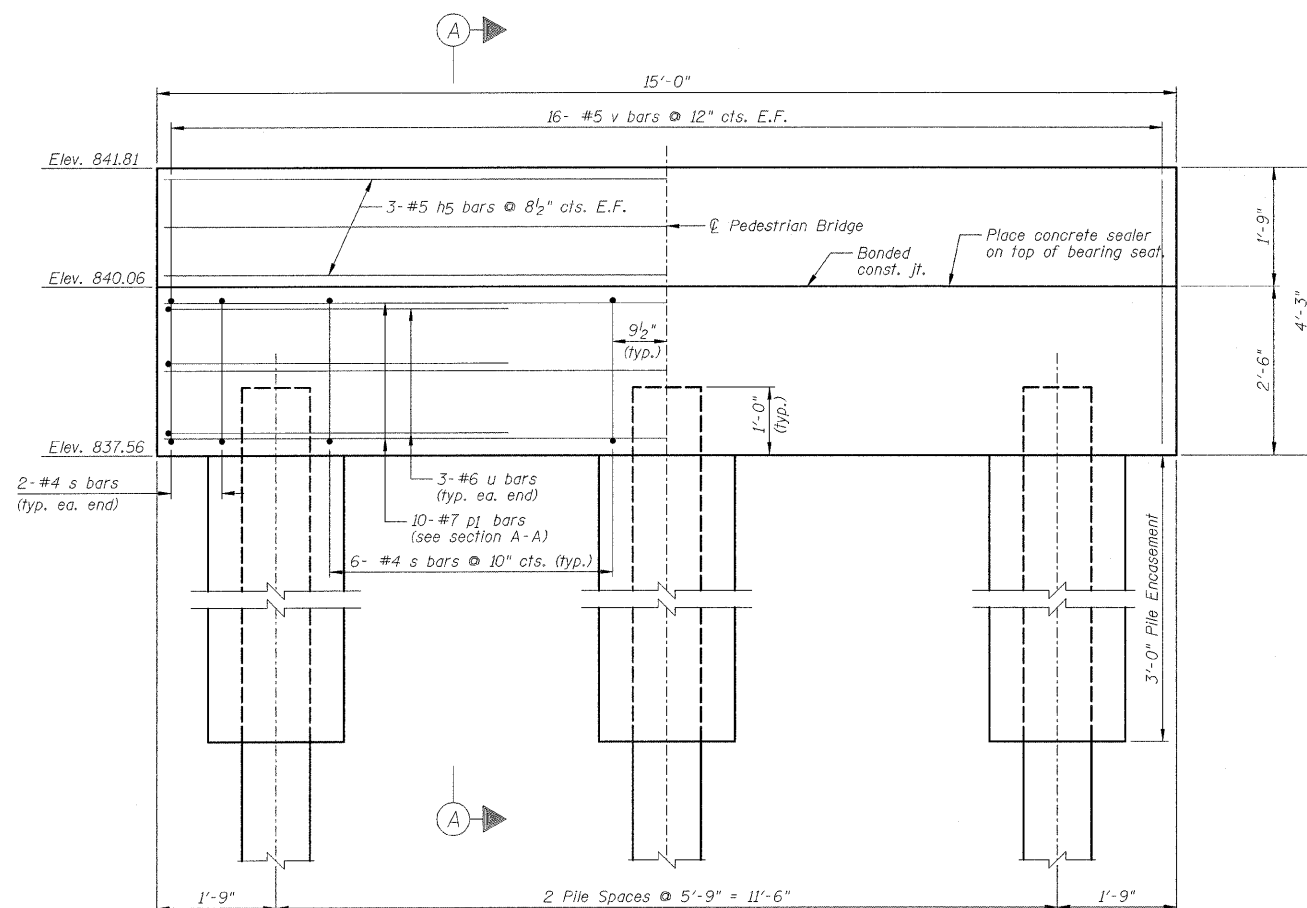
F.A. RTE.	SECTION	COUNTY	TOTAL SHEETS	SHEET NO.
	05-00333-00-BT	McLEAN	56	25
STA. TO STA.		TO STA.		
FED. ROAD DIST. NO.		ILLINOIS FED. AID PROJECT		



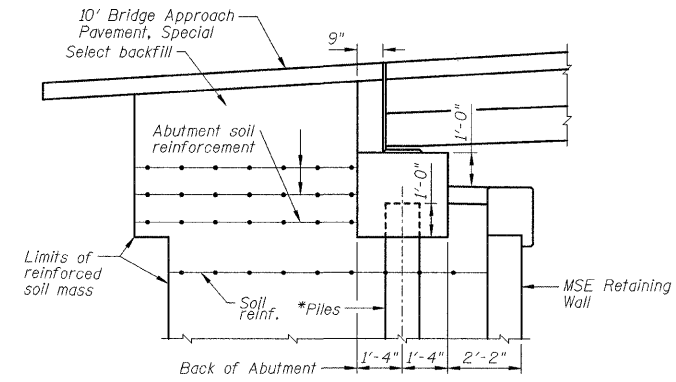
PLAN - ANCHOR BOLT LOCATION (SEE NOTE 4)



PLAN



ELEVATION



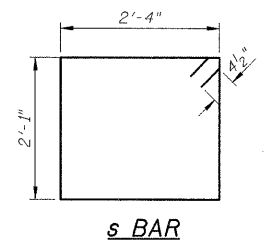
SECTION THRU SOUTH ABUTMENT

*Piles shall be driven prior to placement of the reinforced select fill and coated with coal tar epoxy from the bottom of the select fill to 1" above the base of the abutment. The cost of the coal tar epoxy coating shall be included with the cost of the Furnishing Piles.

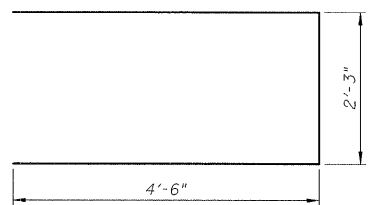
BILL OF MATERIALS
(South Abutment only)

Bar	No.	Size	Length	Shape
h5	6	#5	14'-8"	
p1	10	#7	14'-8"	
s	16	#4	9'-7"	□
u	6	#6	11'-3"	□
v	32	#5	3'-10"	

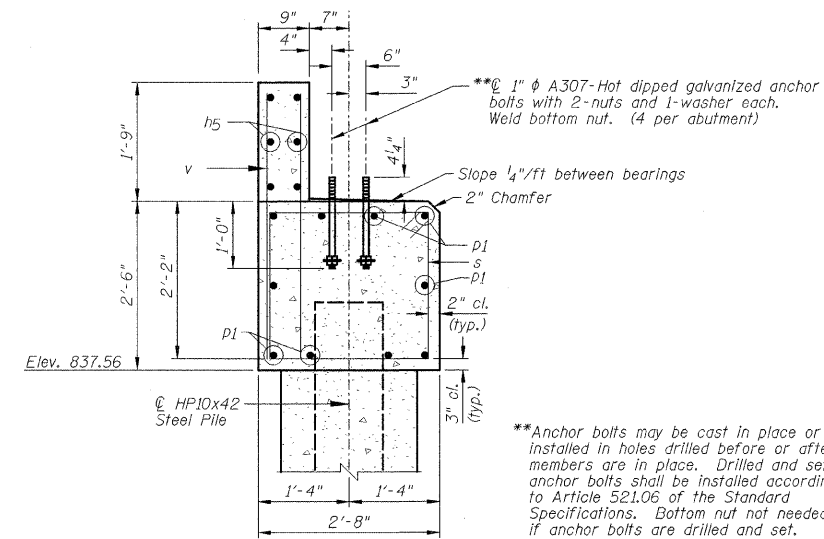
Item	Unit	Quantity
Concrete Structures	Cu. Yd.	4.4
Concrete Encasement	Cu. Yd.	1.0
Reinforcement Bars, Epoxy Coated	Pound	730
Furnishing Steel Piles HP 10x42	Foot	106
Driving Piles	Foot	106
Test Pile Steel HP 10x42	Each	1
Anchor Bolts, 1"	Each	4
Concrete Sealer	Sq. Ft.	30



s BAR



u BAR



SECTION A-A

**Anchor bolts may be cast in place or installed in holes drilled before or after members are in place. Drilled and set anchor bolts shall be installed according to Article 521.06 of the Standard Specifications. Bottom nut not needed if anchor bolts are drilled and set.

PILE DATA
(South Abutments)

Type: Steel HP 10 x 42
No. Req'd.: 2+1 Test Pile
Est. Length: 53 Feet
Nom. Req. Brg.: 195 kips
Allowable Res. Avail.: 65 kips

NOTES:

- 1.) Space reinforcement in cap to miss anchor bolts.
- 2.) For pile details, see Sheet B5.
- 3.) Drive Test Pile in South Abutment.
- 4.) Verify anchor bolt spacing, size and locations with bridge manufacturer before construction.
- 5.) Piles shall be driven through 18" diameter precored holes extending to elevation 807.00 according to Article 512.05(c) of the Standard Specifications. Cost included in driving piles.

CITY OF BLOOMINGTON, ILLINOIS
SECTION 05-00333-00-BT

SOUTH ABUTMENT

DRAWN BY DJM/JTC	<p>2700 McGraw Drive Bloomington, Illinois 61704 309/898-8435, 309/898-1671 fax</p>	FILE NO. 24-8173
DATE 01/30/09		BOOK NO. 2752
CHECKED BY MSW		SHEET NO. 25 of 56