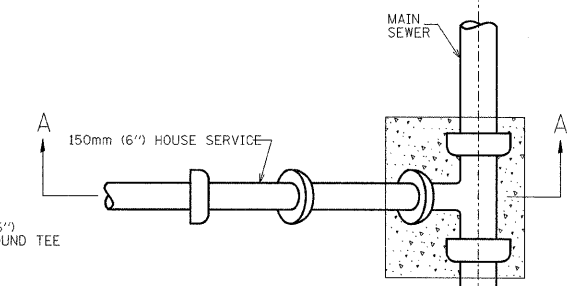
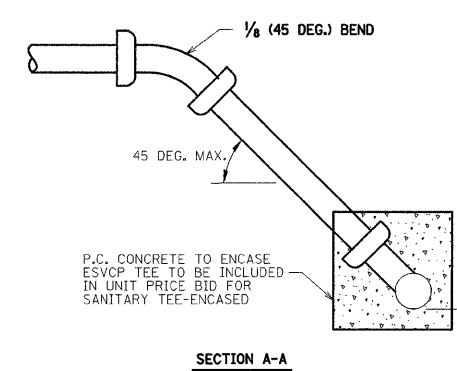
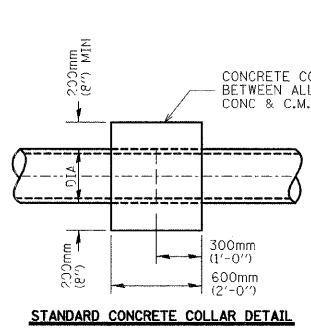
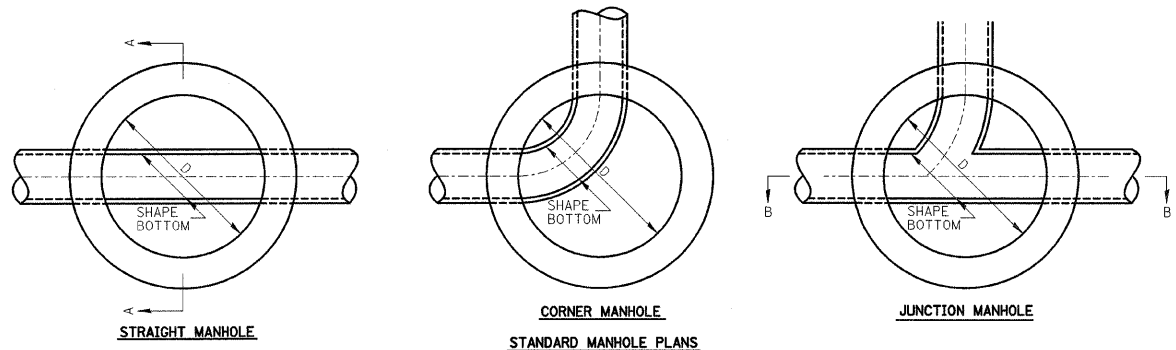


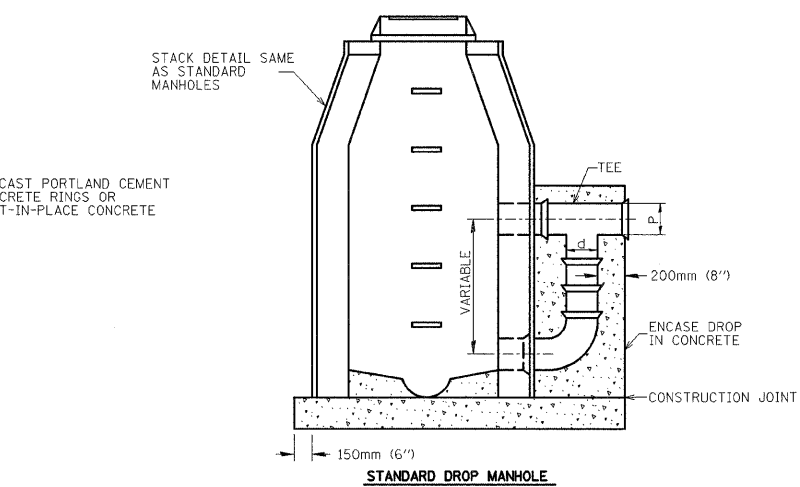
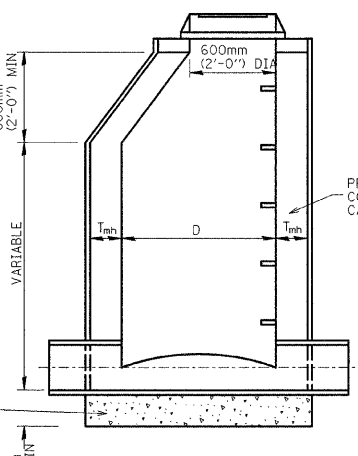
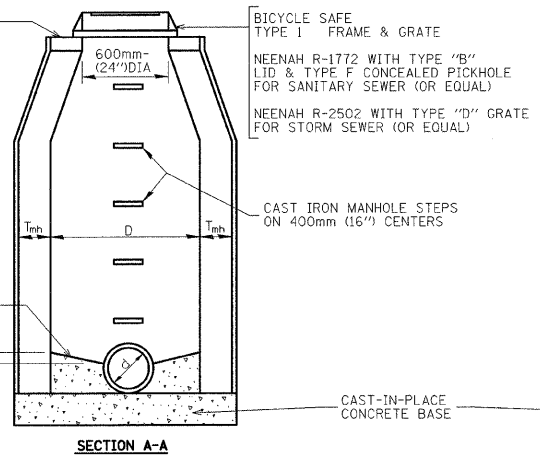
F.A.U. R.T.E.	SECTION	COUNTY	TOTAL SHEETS	SHEET NO.
	05-00333-00-BT	McLEAN	56	39
STA.	TO STA.			
FED. ROAD DIST. NO.	ILLINOIS FED. AID PROJECT			



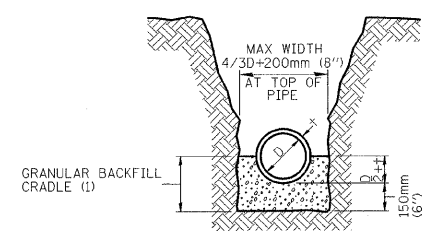
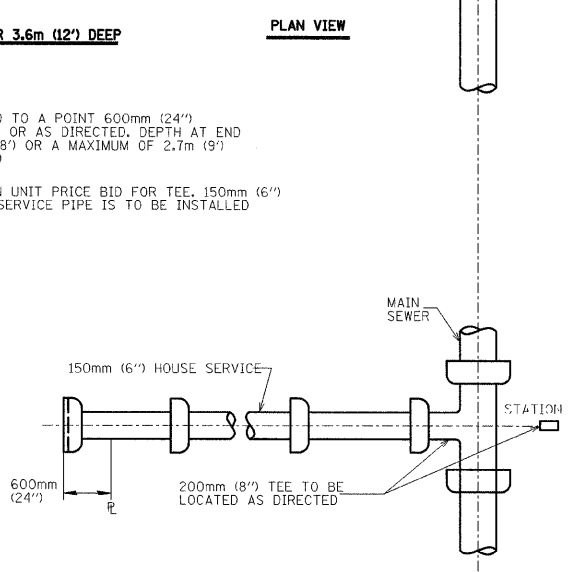
FINAL ADJUSTMENT TO BE MADE WITH PRECAST ADJUSTING RINGS OR WITH BRICKS LAID RADIALLY & MORTARED
ADJUSTMENT RANGE: 100mm (4") MIN 400mm (16") MAX
MASTIC IS NOT PERMITTED ON ADJUSTING RINGS

DIA OF SEWER	DIA OF MANHOLE	PRECAST T _{mh}
THRU 760mm (30")	1.2m (4')	100mm (4")
THRU 1.2m (48")	1.5m (5')	125mm (5")
1.3m (54')	1.8m (6')	150mm (6")

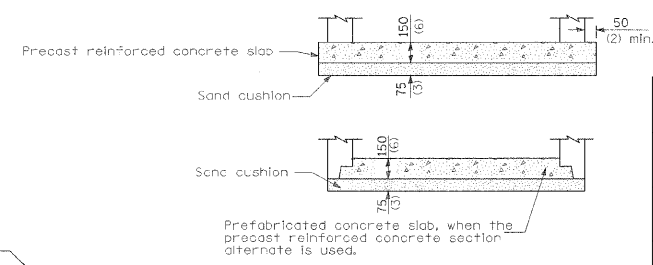
CAST-IN-PLACE MANHOLES SHALL BE A MINIMUM OF T_{mh} = 150MM (6") THICK
TROWELED SURFACE



NOTE: 150mm (6") PIPE TO BE LAID TO A POINT 600mm (24") BEYOND THE PROPERTY LINE, OR AS DIRECTED. DEPTH AT END TO BE A MINIMUM OF 2.4m (8') OR A MAXIMUM OF 2.7m (9') UNLESS OTHERWISE DIRECTED
STOPPER TO BE INCLUDED IN UNIT PRICE BID FOR TEE. 150mm (6") STOPPER IN TEE WHERE NO SERVICE PIPE IS TO BE INSTALLED

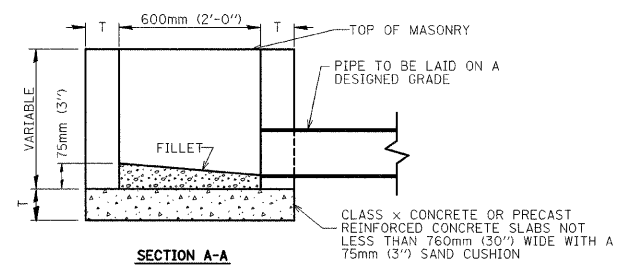
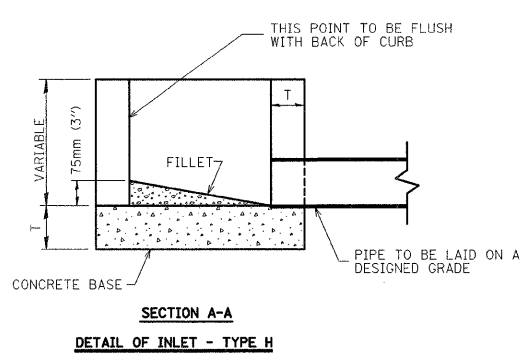
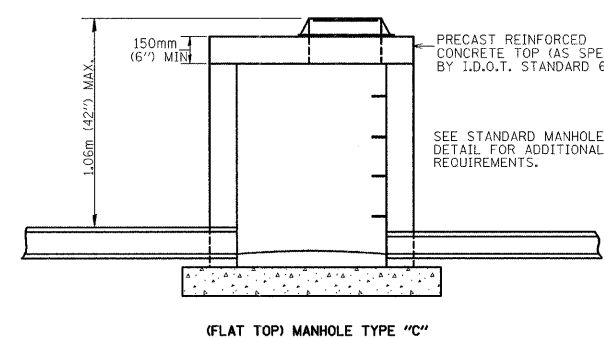
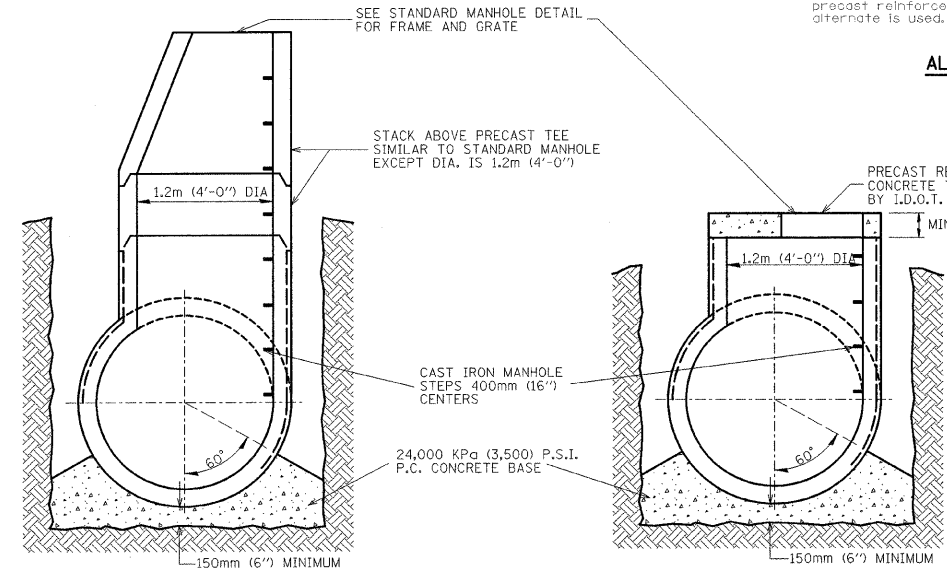
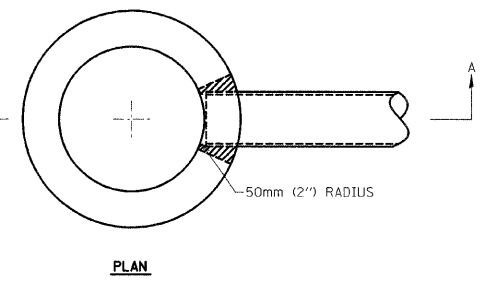
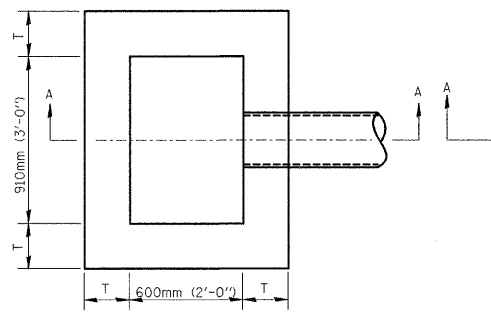


NOTE (1): Pipe Bedding (granular cradle) shall extend to virgin ground when sewer is constructed in fill areas.



BICYCLE SAFE FRAME AND GRATE

TYPE 3	NEENAH R-3010 WITHOUT BARS IN FRONT OF CURB BOX WITH TYPE A GRATE & 38mm (1-1/2") VERTICAL RADIUS
TYPE 3L	NEENAH R-3010 WITHOUT BARS IN FRONT OF CURB BOX WITH TYPE L GRATE & 38mm (1-1/2") VERTICAL RADIUS
TYPE 50	NEENAH R-3067 WITHOUT BARS IN FRONT OF CURB BOX WITH TYPE C GRATE & 50mm (2") VERTICAL RADIUS
TYPE 50L	NEENAH R-3067 WITHOUT BARS IN FRONT OF CURB BOX WITH TYPE L GRATE & 50mm (2") VERTICAL RADIUS
DITCH GRATE	NEENAH R-4342



MATERIALS PERMITTED FOR INLETS	T MINIMUM
PRECAST REINFORCED CONCRETE SECTIONS	75mm (3")
CAST-IN-PLACE CONCRETE	150mm (6")

BRICKS AND MORTAR SHALL BE USED ONLY FOR ADJUSTMENTS

CITY OF BLOOMINGTON, ILLINOIS
MFT SECTION 05-00333-00-BT

STORM/ SANITARY SEWER
DETAILS

DRAWN BY: DRR
DATE: 01/30/09
CHECKED BY: PJM

Farnsworth GROUP
2700 McGraw Drive
Bloomington, Illinois 61704
309/888-8438, 309/888-1871 fax

FILE NO. 24-8173
BOOK NO. 2752
SHEET NO. 39 OF 56

City of Bloomington, 2008/08/03/09/05-00333-00-BT Construction - Final/2009