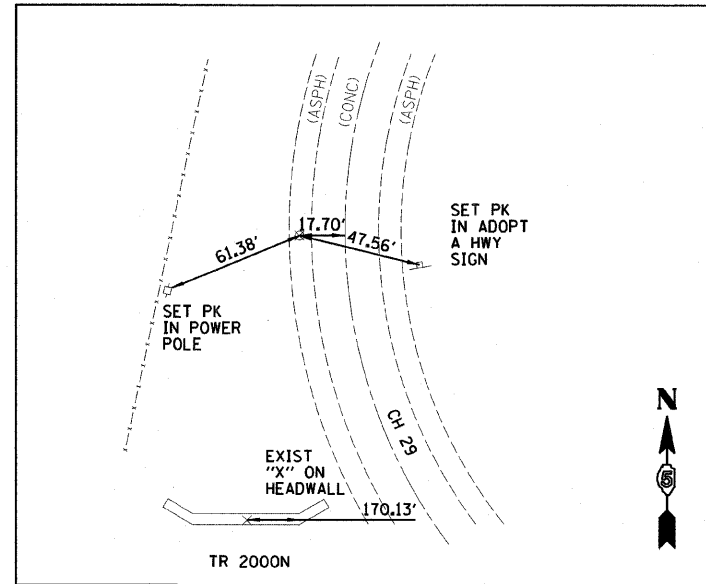
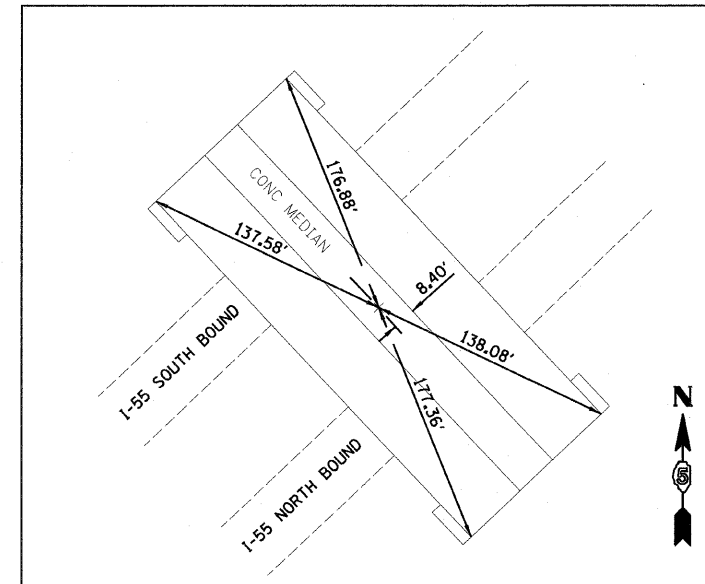


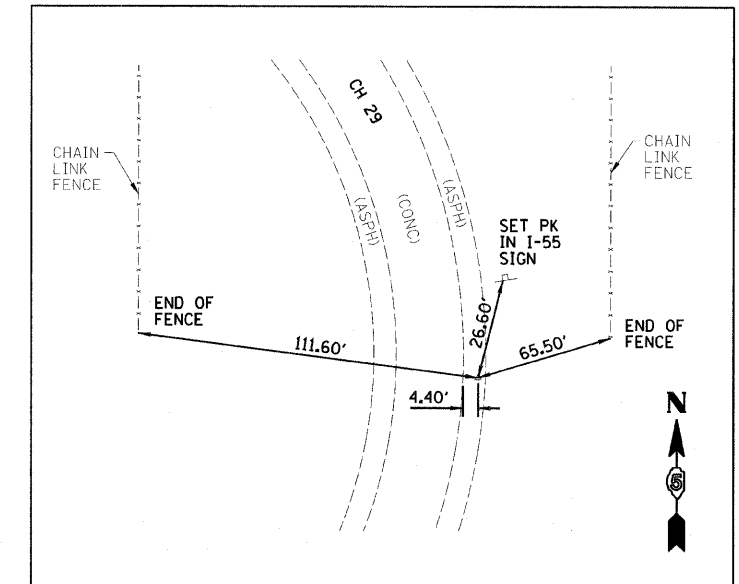
CONTROL TIE CH 29  
STA 26+00 T POT PK SET #547



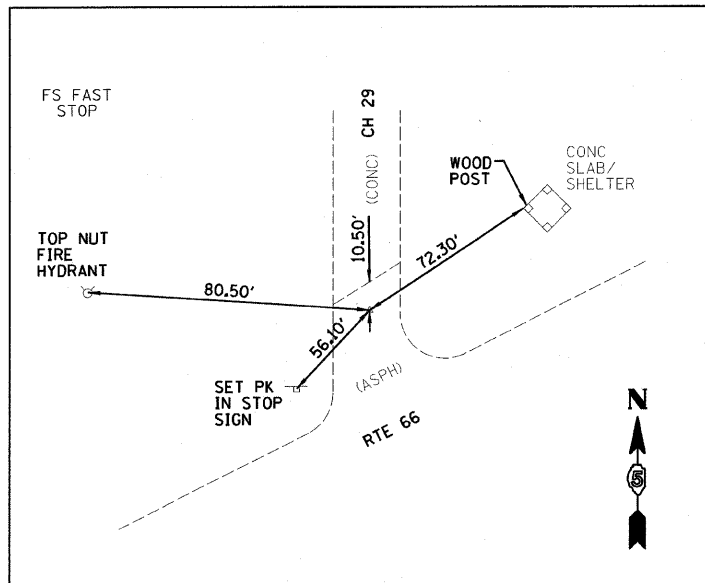
CONTROL TIE CH 29  
STA 31+20.19 T PI EX DISK #3130



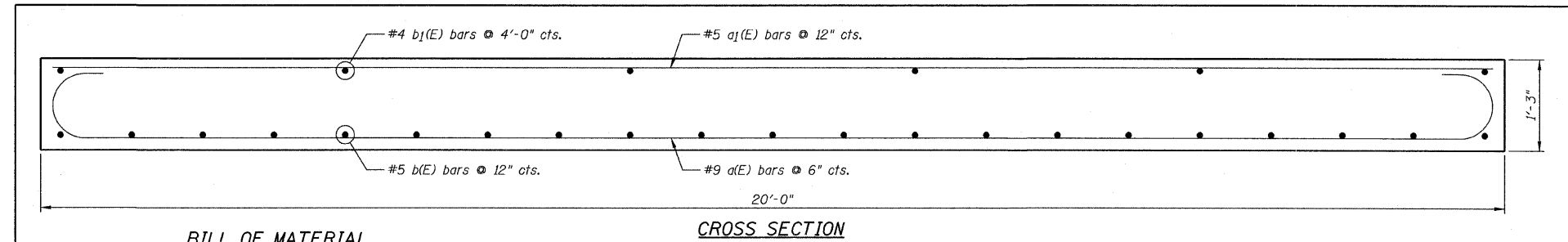
CONTROL TIE CH 29  
STA 50+00 T POT "X" CUT #20



CONTROL TIE CH 29  
STA 63+03.30 T PI CALC PT #27



CONTROL TIE CH 29  
STA 69+00 T POT CALC PT #28



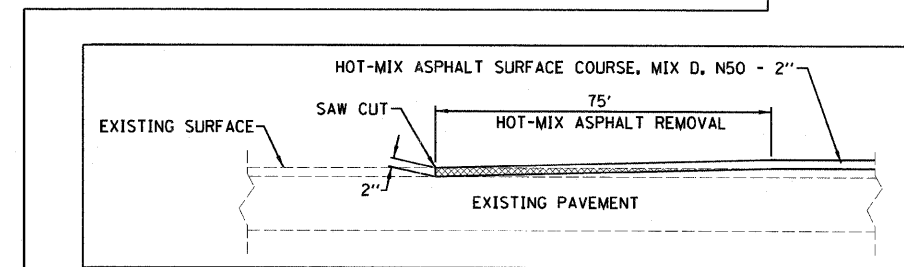
**BILL OF MATERIAL  
(ONE APPROACH SLAB)**

Bar	No.	Size	Length	Shape
a(E)	28	#9	22'-0"	U
a(E)	15	#5	19'-6"	U
b(E)	21	#5	14'-3"	U
b(E)	6	#4	14'-3"	U
Item	Unit	Quantity		
Reinforcement Bars, Epoxy Coated	Pound	2770		
Bridge Approach Pavement (modified)	Sq. Yd.	31		

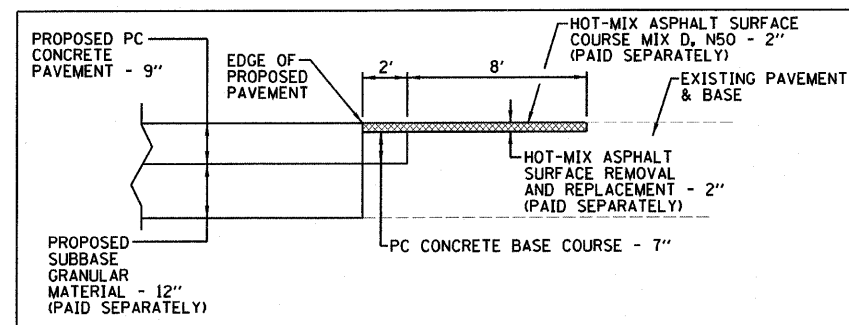
**NOTES:**

- 1.) Work to be performed in accordance with the Standard Specifications for Road & Bridge Construction in the State of Illinois and the rest of the Contract Plans.
- 2.) Bill of Material is for one approach slab, multiply quantities by 4 for 4 approach pavements.
- 3.) Contractor to field verify existing dimensions before ordering material.
- 4.) See Standard 420401-06 for other details.
- 5.) Reinforcement bars designated (E) shall be epoxy coated.

**BRIDGE APPROACH PAVEMENT (SPECIAL)**



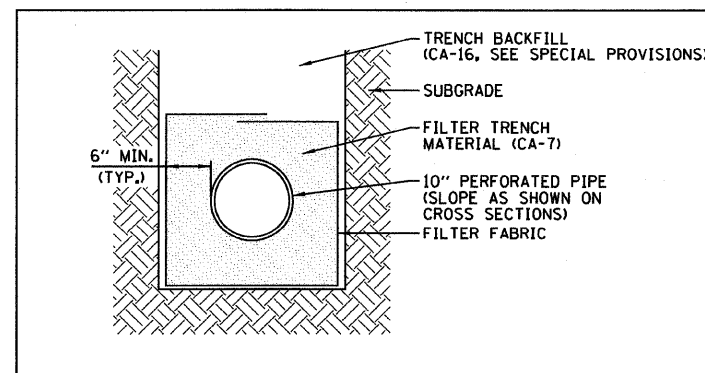
**BUTT JOINT DETAIL  
JACKSON STREET WEST END**



**CH 29 LONGITUDINAL PAVEMENT CONSTRUCTION DETAIL  
(TO ALLOW FOR 9" PCC PAVEMENT FORM PLACEMENT)**

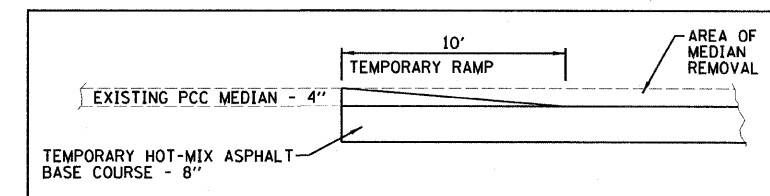
- OUTSIDE EDGE THRU I-55 RAMP INTERSECTIONS
- JACKSON STREET INTERSECTION

(COST FOR THIS CONSTRUCTION INCLUDED IN PC CONCRETE PAVEMENT BID ITEM WITH EXCEPTIONS AS NOTED)



**CH 29 PIPE UNDERDRAIN 10' DETAIL**

- TRANSVERSE PAVEMENT CROSSINGS (SHOWN ON PLANS)



**CH 29 MEDIAN DETAIL  
I-55 RAMP INTERSECTIONS IN CH 29 MEDIAN**

**BENCHMARKS**

- TOP OF CONCRETE LIGHT BASE IN SW QUAD I-55 RAMP ON WEST SIDE CH29 EL=787.12 (BK 2416)
- TOP OF CONCRETE ABUTMENT WALL IN SW CORNER OF BRIDGE OVER I-55 EL=807.13 (BK 2416)
- TOP OF CONCRETE LIGHT BASE IN NW QUAD I-55 RAMP ON EAST SIDE CH29 EL=788.97 (BK 2416)

MCLEAN COUNTY, ILLINOIS  
MFT SECTION 05-00071-04-RS

**CONTROL SURVEY TIES,  
BENCHMARKS AND  
MISCELLANEOUS DETAILS**

DRAWN BY DRR	<p><b>Farnsworth GROUP</b> 2700 McGraw Drive Bloomington, Illinois 61704 309.893-8488 / fax 309.893-1671</p>	FILE NO. 24-8051
DATE 01/20/09		BOOK NO. 2416
CHECKED BY RGD		SHEET NO. 7 OF 37