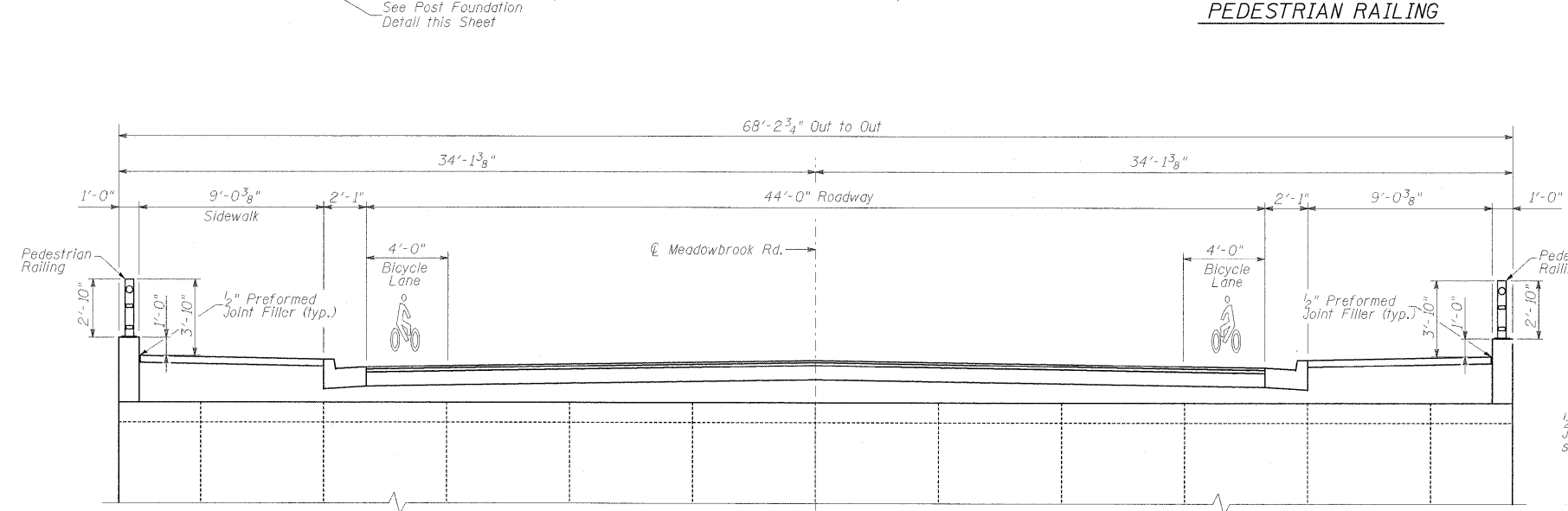
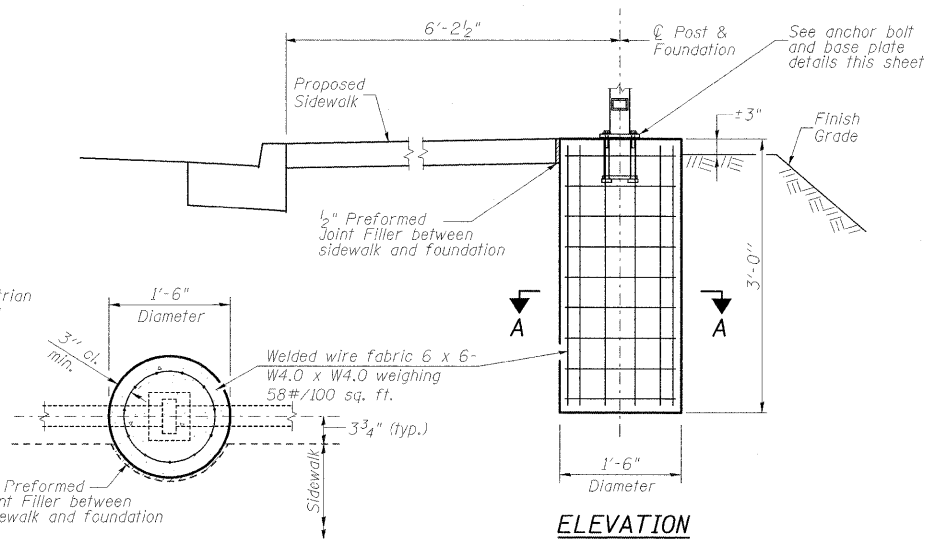


**PEDESTRIAN RAILING**



**SECTION THRU ROADWAY AT BRIDGE**  
(Looking North)



**SECTION A-A**  
**POST FOUNDATION**

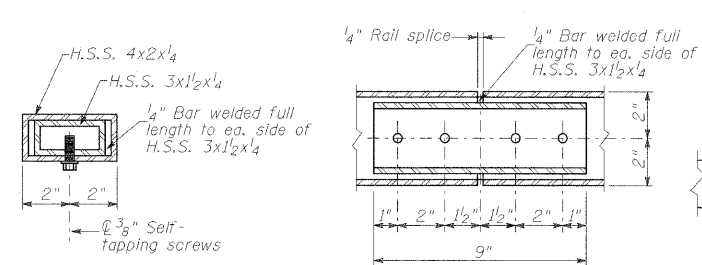
**NOTE:**  
All necessary excavation, backfilling, disposal of unsuitable or surplus material, formwork and furnishing and placing the Class SI Concrete and reinforcement shall be included in the Pay Item "Pedestrian Railing".

**BILL OF MATERIAL**

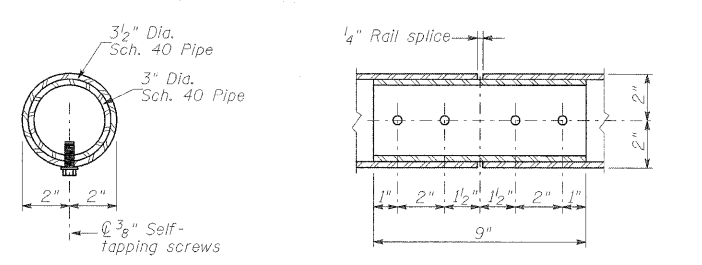
Item	Unit	Quantity
Pedestrian Railing	Foot	246

**NOTES:**

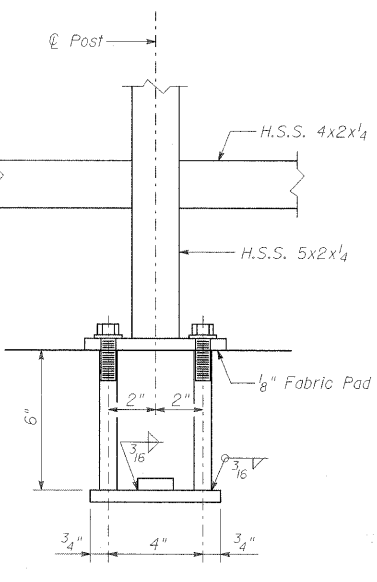
- Railing shall be according to Section 509 of the Standard Specifications, except as noted, and will be paid for at the Contract Unit Price per foot for Pedestrian Railing.
- Hollow structural steel tubing shall conform to the requirements of ASTM designation A 500, Grade B, structural steel tubing.
- Hollow steel pipes shall conform to the requirements of ASTM A53 and shall be "standard weight."
- All other steel shapes and plates shall conform to the requirements of AASHTO M 270 Grade 36.
- All posts, railing, splices, anchor devices, and bent plates shall be galvanized after shop fabrication according to AASHTO M 111 and ASTM A 385. All bolts, nuts, washers, and anchor rods shall be galvanized according to AASHTO M 232 except stainless steel bolts as noted.
- Vent holes for galvanizing shall be placed in the posts and rails at locations that will not allow the accumulation of moisture in the members.
- If the option of drilling and epoxy grouting the anchor rods is chosen, the Contractor shall use the capsule or the adhesive cartridge type anchor rods that have been previously tested and given a prior approval by the Department. The Contractor shall install these anchor rods in pre-drilled holes according to the manufacturer's recommendations and procedures. The capsule or the adhesive cartridge shall be sealed with premeasured amounts of the adhesive chemical.
- Space reinforcement to miss anchor rods.



**RAIL SPLICE - HSS 4x2x4**

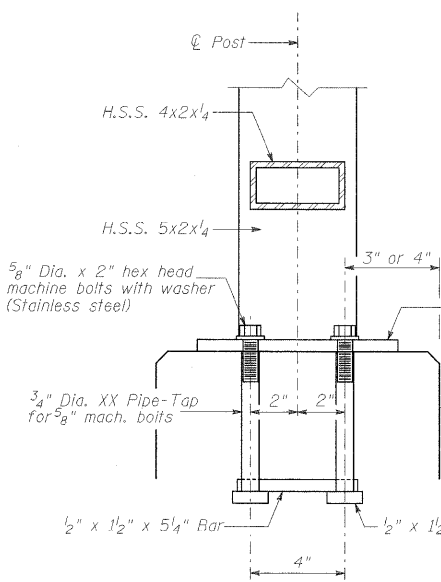


**RAIL SPLICE - 3/2" (4" O.D.) PIPE**

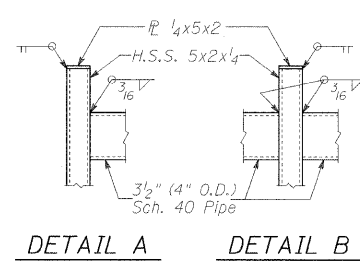


**ANCHOR BOLT DETAILS**

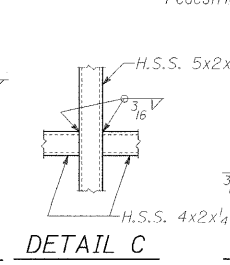
In lieu of the cast-in-place anchor device shown, the Contractor has the option of drilling and epoxy grouting 3/8 inch dia. anchor rods. Embedment shall be according to the manufacturer's specifications.



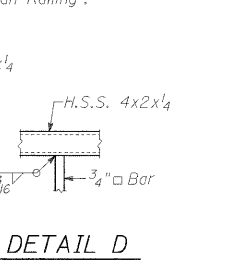
**DETAIL A**



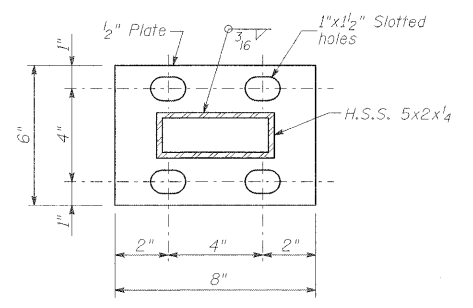
**DETAIL B**



**DETAIL C**



**DETAIL D**



**BASE PLATE**