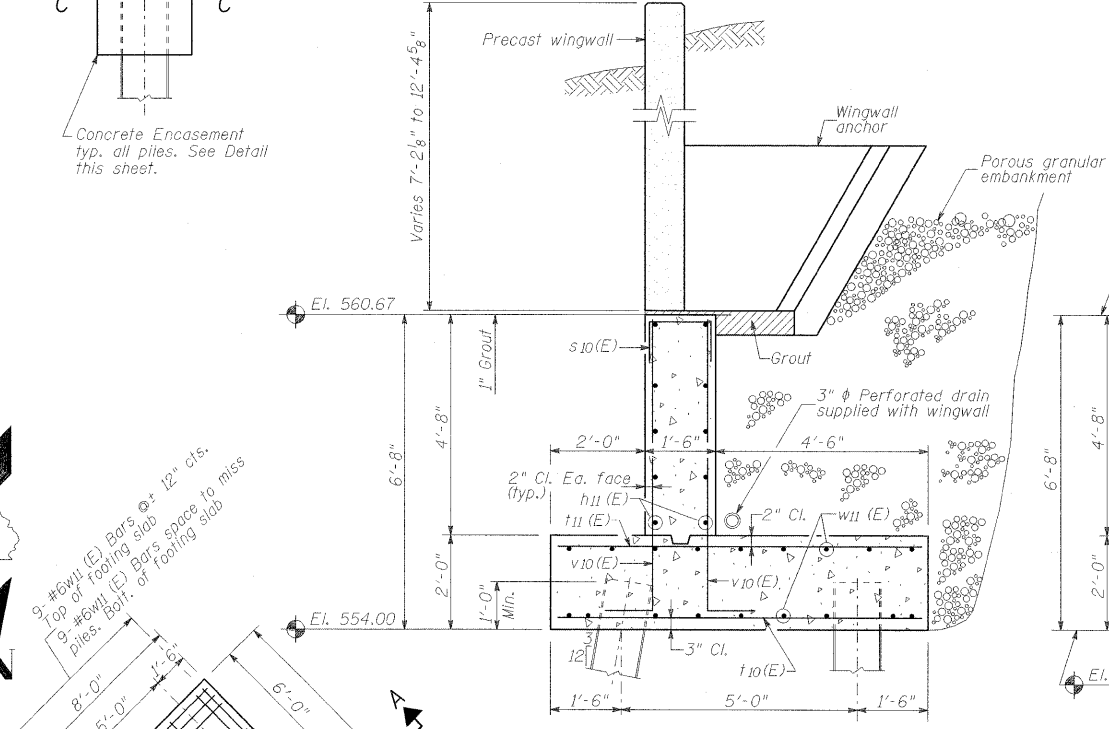


ELEVATION

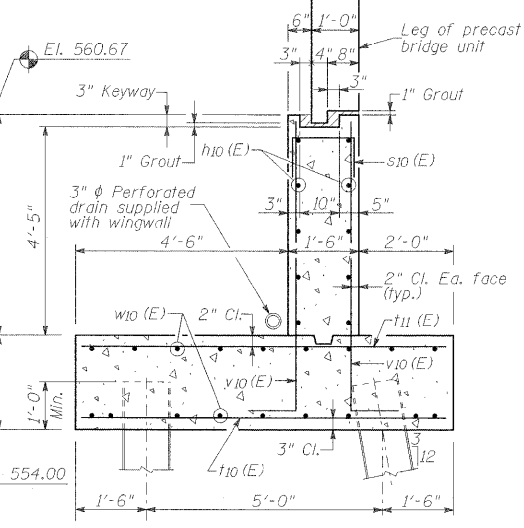
PILE DATA
 TYPE: STEEL HP 12x53
 NOMINAL REQUIRED BEARING: 419 KIPS
 ALLOWABLE RESISTANCE AVAILABLE: 140 KIPS
 EST. LENGTH: 11'
 NO. REQUIRED: 27
 STEEL H-PILES SHALL BE ACCORDING TO AASHTO M270 GRADE 50

SOUTH ABUT. BILL OF MATERIAL

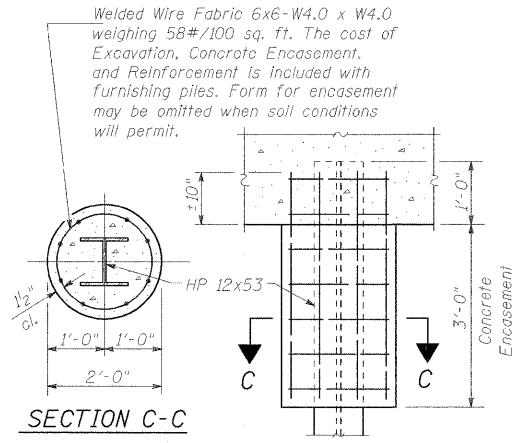
Bar	No.	Size	Length	Shape
h10(E)	30	#4	24'-0"	—
h11(E)	20	#4	19'-1"	—
h12(E)	20	#4	4'-0"	—
s10(E)	108	#5	2'-10"	□
t10(E)	110	#8	7'-8"	—
t11(E)	112	#6	7'-8"	—
v10(E)	220	#6	7'-1"	—
w10(E)	54	#6	25'-0"	—
w11(E)	36	#6	20'-6"	—
Concrete Structures		Cu. Yd.	90.0	
Reinforcement Bars, Epoxy Coated		Pound	10,130	
Structure Excavation		Cu. Yd.	460	
Furnishing Steel Piles HP 12x53		Foot	297	
Driving Piles		Foot	297	



SECTION A-A

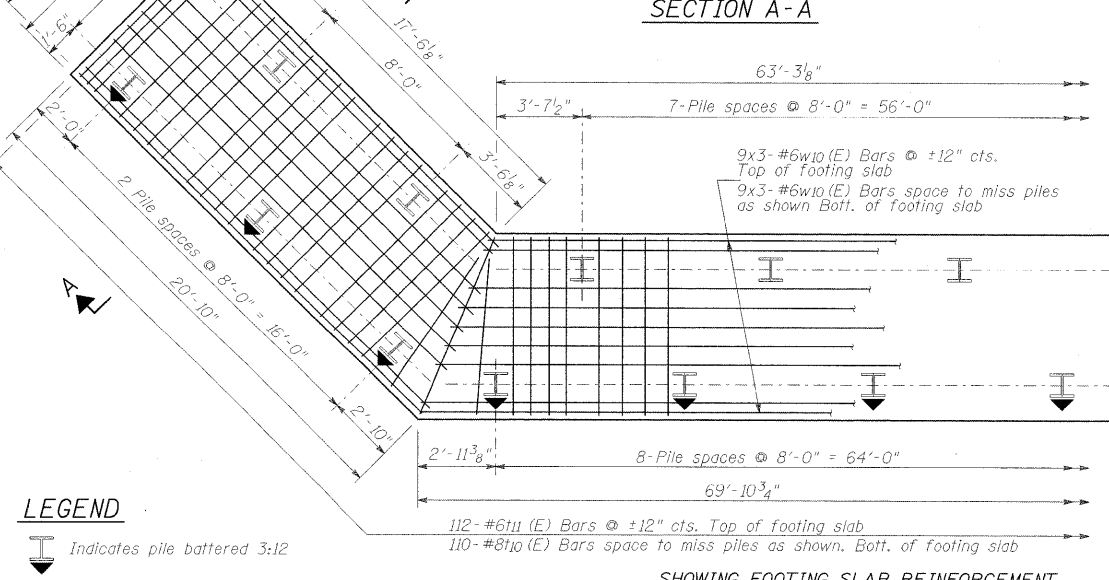


SECTION B-B

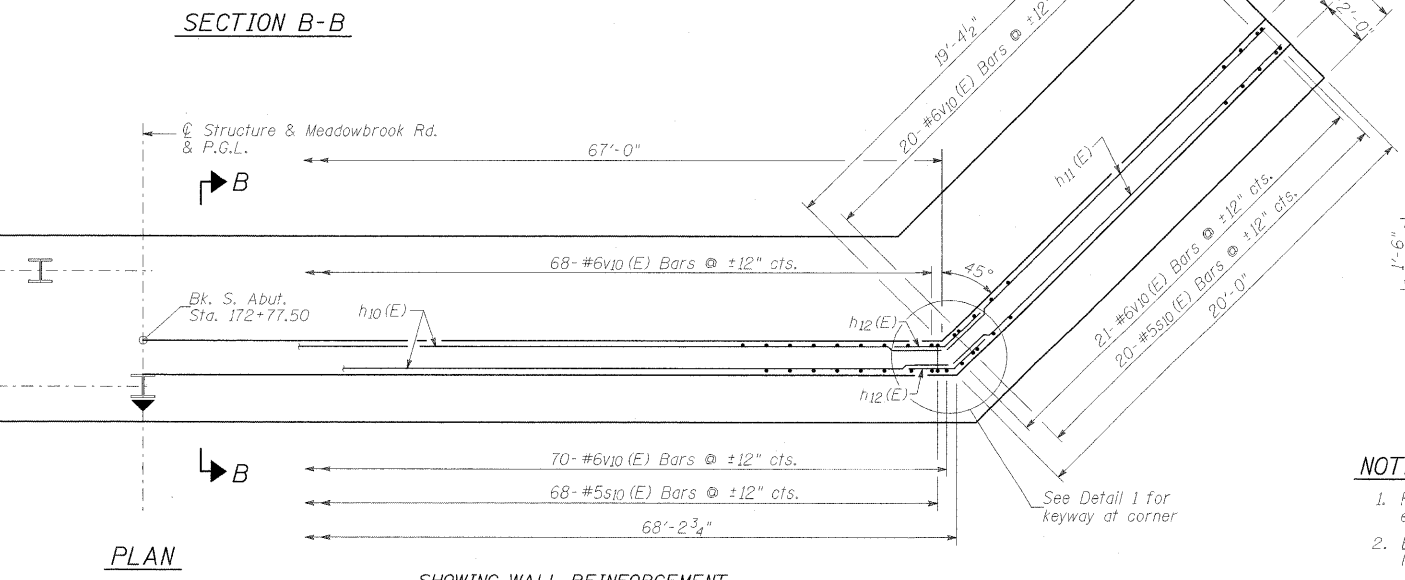


SECTION C-C

TYP. PILE ENCASUREMENT DETAIL



SHOWING FOOTING SLAB REINFORCEMENT



SHOWING WALL REINFORCEMENT

PLAN

LEGEND

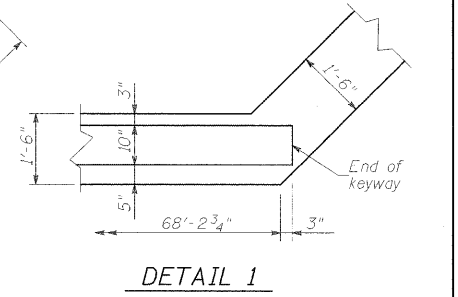
Indicates pile battered 3:12

MIN. BAR LAP

#4 bar = 1'-8"
 #6 bar = 2'-7"

NOTES:

1. Reinforcement bars designated (E) shall be epoxy coated.
2. Bars indicated thus 20x2-#5 etc. indicates 20 lines of bars with 2 lengths per line.



DETAIL 1