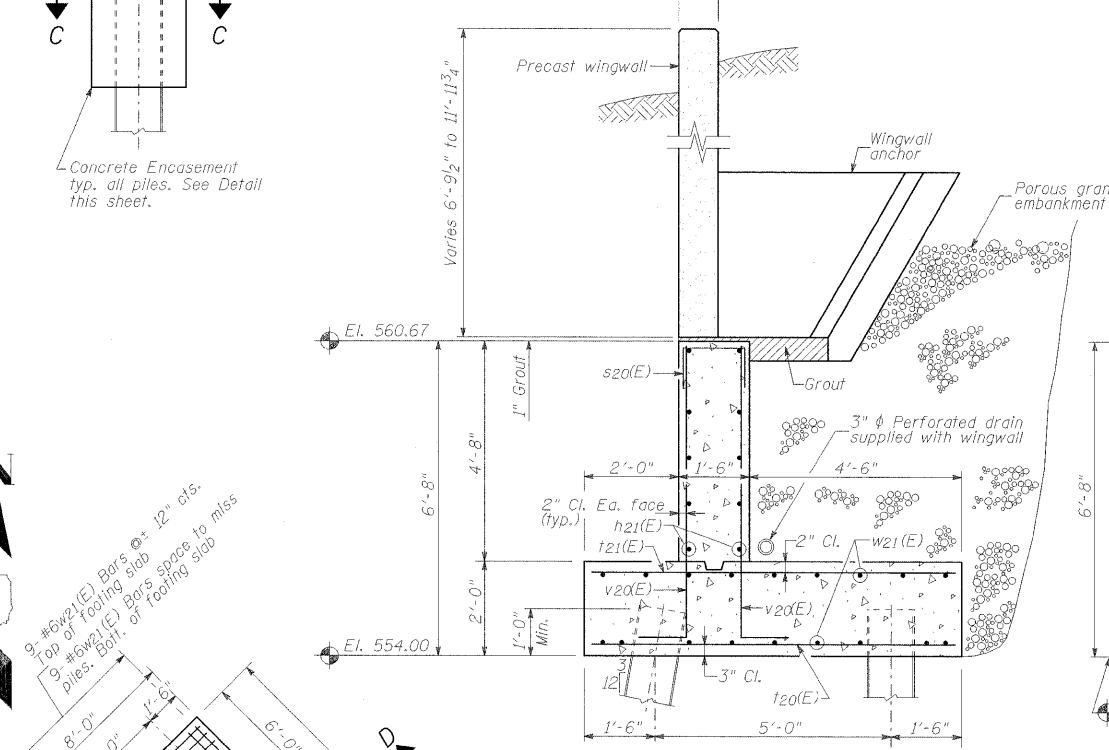


ELEVATION

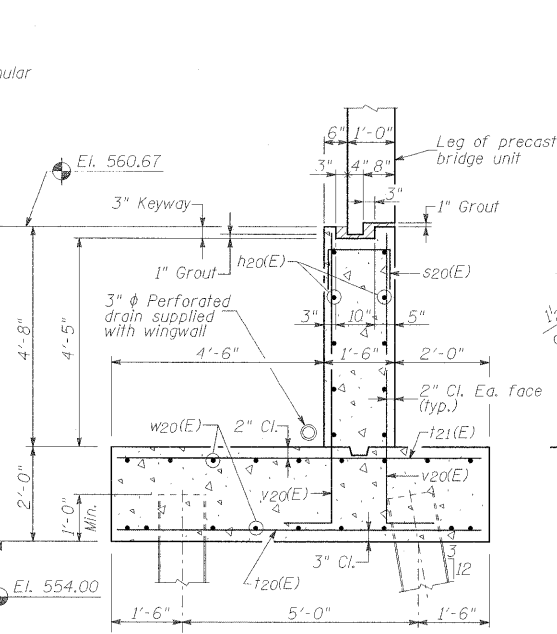
PILE DATA
 TYPE: STEEL HP 12x53
 NOMINAL REQUIRED BEARING: 419 KIPS
 ALLOWABLE RESISTANCE AVAILABLE: 140 KIPS
 EST. LENGTH: 13'
 NO. REQUIRED: 27 (INCLUDES 1 TEST PILE)
 STEEL H-PILES SHALL BE ACCORDING TO AASHTO M270 GRADE 50

NORTH ABUT. BILL OF MATERIAL

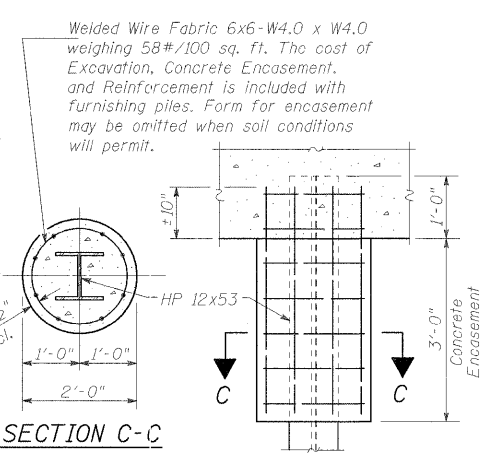
Bar	No.	Size	Length	Shape
h22(E)	30	#4	24'-0"	—
h21(E)	20	#4	19'-1"	—
h22(E)	20	#4	4'-0"	—
s20(E)	108	#5	2'-10"	┌
t20(E)	110	#8	7'-8"	—
t21(E)	112	#6	7'-8"	—
v20(E)	220	#6	7'-1"	┌
w20(E)	54	#6	25'-0"	—
w21(E)	36	#6	20'-6"	—
Concrete Structures		Cu. Yd.	90.0	
Reinforcement Bars, Epoxy Coated		Pound	10,130	
Structure Excavation		Cu. Yd.	460	
Furnishing Steel Piles HP 12x53		Foot	338	
Driving Piles		Foot	338	
Test Pile Steel HP 12x53		Each	1	



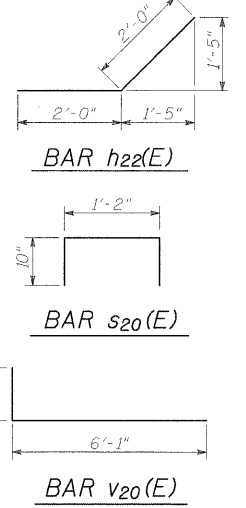
SECTION D-D



SECTION B-B



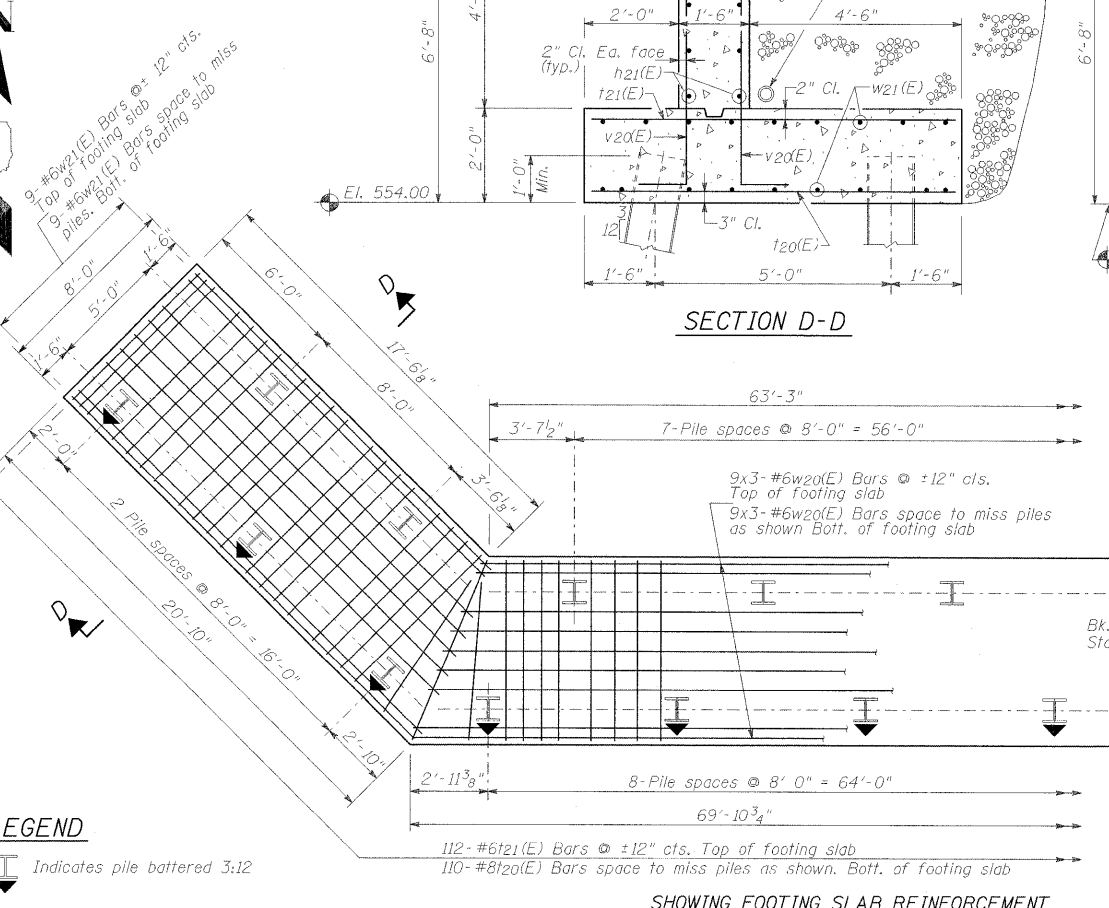
SECTION C-C
 TYP. PILE ENCASEMENT DETAIL



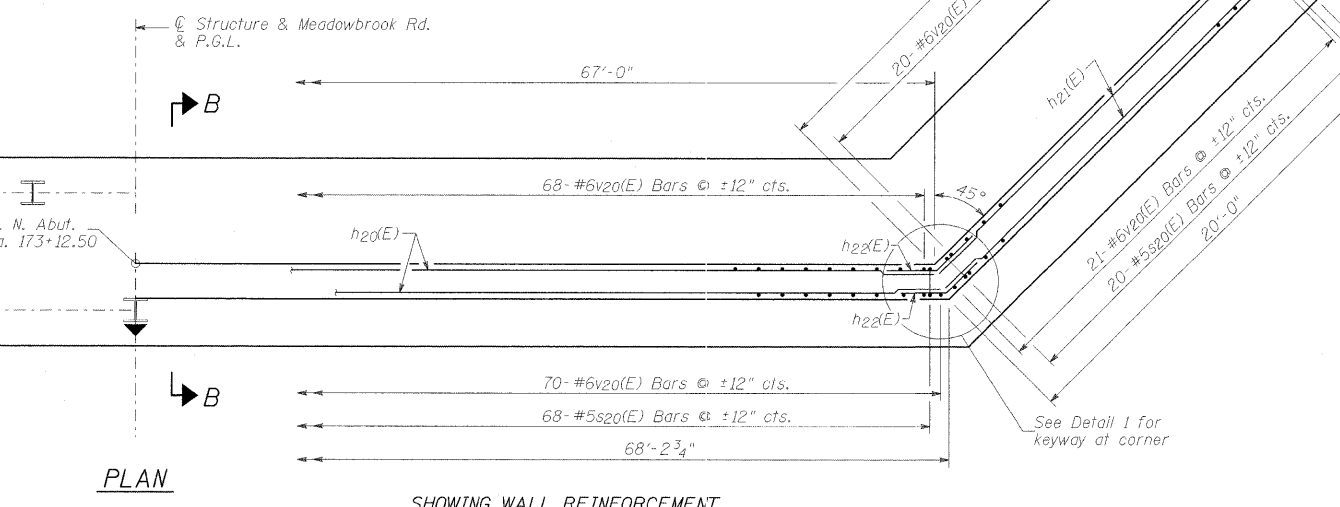
BAR h22(E)

BAR s20(E)

BAR v20(E)

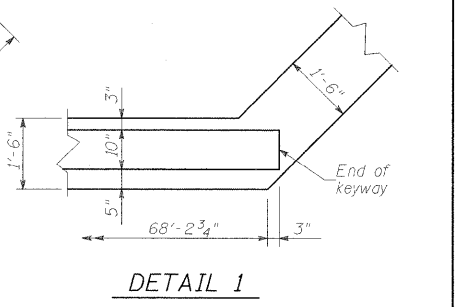


SHOWING FOOTING SLAB REINFORCEMENT



SHOWING WALL REINFORCEMENT

MIN. BAR LAP
 #4 bar = 1'-8"
 #6 bar = 2'-7"



DETAIL 1

NOTES:
 1. Reinforcement bars designated (E) shall be epoxy coated.
 2. Bars indicated thus 20x2-#5 etc. indicates 20 lines of bars with 2 lengths per line.

LEGEND

Indicates pile battered 3:12

FILE NAME = ...\\draw\sheets\North Abutment.dgn	USER NAME = Rob Heady	DESIGNED - WLB / WK	REVISED -
PLOT SCALE = 8,0000 ' / IN.	DRAWN - GLD	CHECKED - WLB	REVISED -
PLOT DATE = 10/8/2008	DATE - 10/2008		REVISED -

MEADOWBROOK ROAD
CITY OF SPRINGFIELD
SPRINGFIELD, ILLINOIS

NORTH ABUTMENT
STATION 172+95.00 S.N. 084-6015
MEADOWBROOK RD. (TR 194) OVER SPRING CREEK TRIBUTARY

SCALE: N/A SHEET NO. 21 OF 33 SHEETS STA. N/A TO STA. N/A