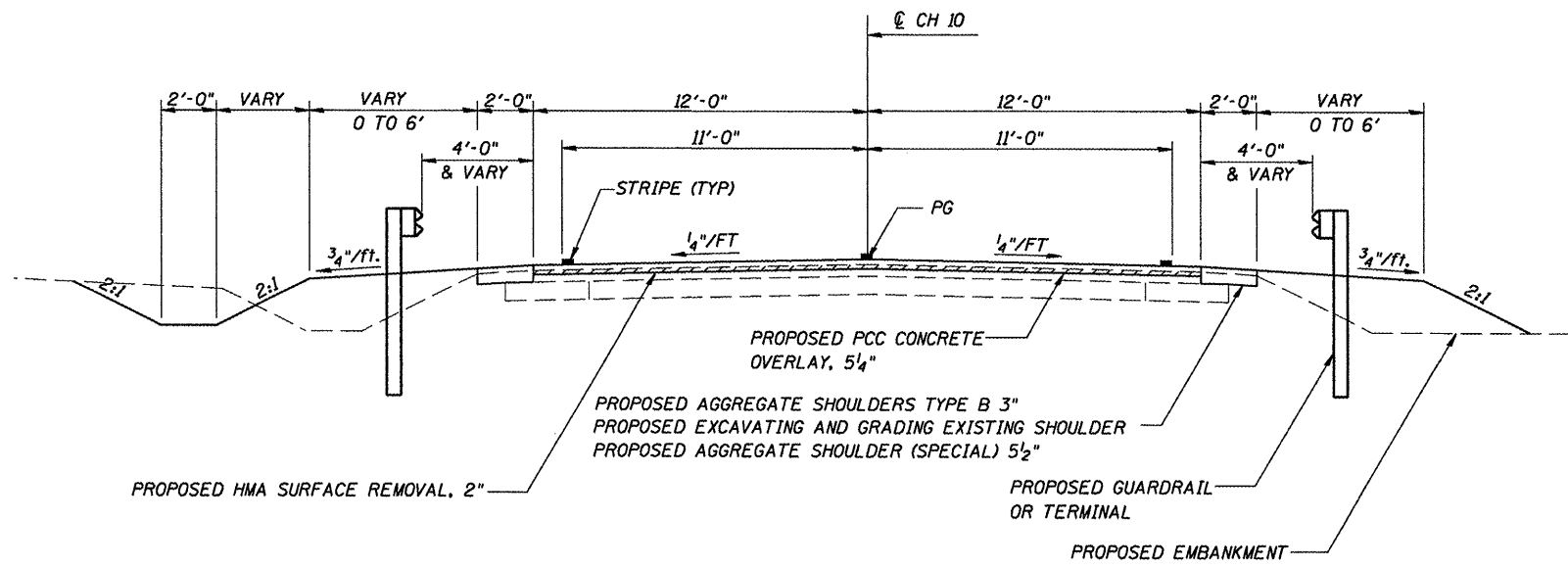


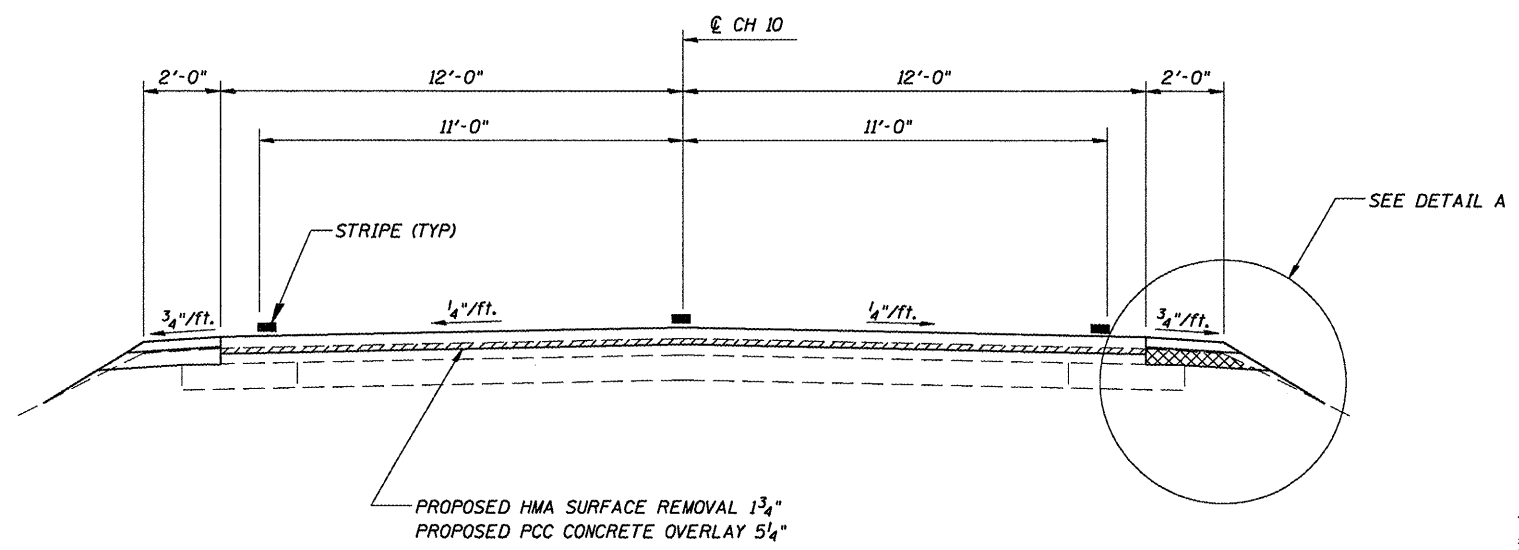
CH 10 EXISTING TYPICAL CROSS SECTION
STA 111+50 TO STA 558+48



CH 10 TYPICAL PROPOSED ROADWAY CROSS SECTION AT EXISTING STRUCTURES WITH GUARDRAIL

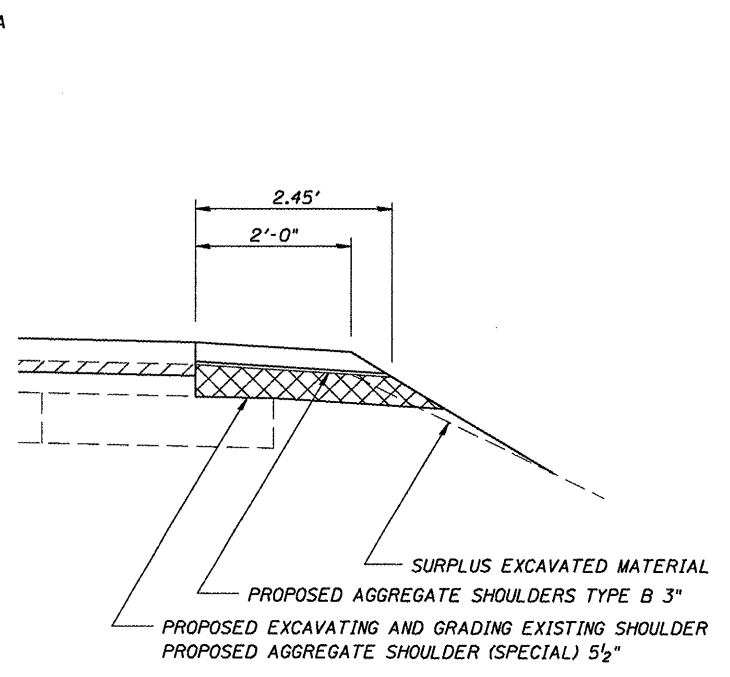
BRIDGE OMISSIONS
STA 175+46.25 TO STA 176+65.17
STA 185+21.59 TO STA 185+75.91
PAVING OMISSION
STA 346+81.29 TO STA 348+12.12

STA 173+00 TO STA 175+46.25
STA 176+65.17 TO STA 185+21.59
STA 185+75.91 TO STA 188+91
STA 190+00 TO STA 195+50
STA 260+50 TO STA 266+50
STA 392+00 TO STA 398+00



CH 10 PROPOSED TYPICAL CROSS SECTION

STA 111+73.67 TO STA. 173+00
STA 188+91 TO STA 190+00
STA 195+50 TO STA 260+50
STA 266+50 TO STA 268+98.22 (BK)
STA 270+11.75 (AH) TO STA 346+81.29
STA 348+12.29 TO STA 392+00
STA 398+00 TO STA 552+17.37
STA 552+26.45 TO STA 558+48



DETAIL A

PAVEMENT DESIGN
CH 10 STA 111+73.67 TO STA 558+48
STRUCTURAL DESIGN TRAFFIC YEAR: 2019
PV = 1452 SU = 115 MU = 83
IBV = TRAFFIC FACTOR = 0.447
PERCENT OF SDT FOR TWO LANES
PV = 88% SU = 7.0% MU = 5.0%
HEAVY TRUCKS = 75 TRAFFIC FACTOR = 0.768
DESIGN TRAFFIC FACTOR = 1.215
THICKNESS OF CONCRETE / h_c = 5.25 INCHES

PAVEMENT COMPOSITION
5 1/4" PCC OVERLAY
3" EXISTING HMA
8" EXISTING GRANULAR BASE

CUMMINS ENGINEERING CORPORATION	JOB = 2217	DESIGNED - NAK	REVISED -
	FILE NAME = 2217typ.dgn	DRAWN - AJH	REVISED -
	PLOT SCALE = 5.0000' / IN.	CHECKED - NAK	REVISED -
	PLOT DATE = 1/20/2009	DATE - 11/12/2008	REVISED -

LOGAN COUNTY
CH 10, TR 199A, TR 92 IMPROVEMENTS

TYPICAL CROSS SECTIONS

F.A.S. RTE.	SECTION	COUNTY	TOTAL SHEETS	SHEET NO.
566	05-00113-00-WR	LOGAN	63	6
CH 10, TR 199A, TR 92		CONTRACT NO.		
FED. ROAD DIST. NO.		[ILLINOIS] FED. AID PROJECT		

3182