



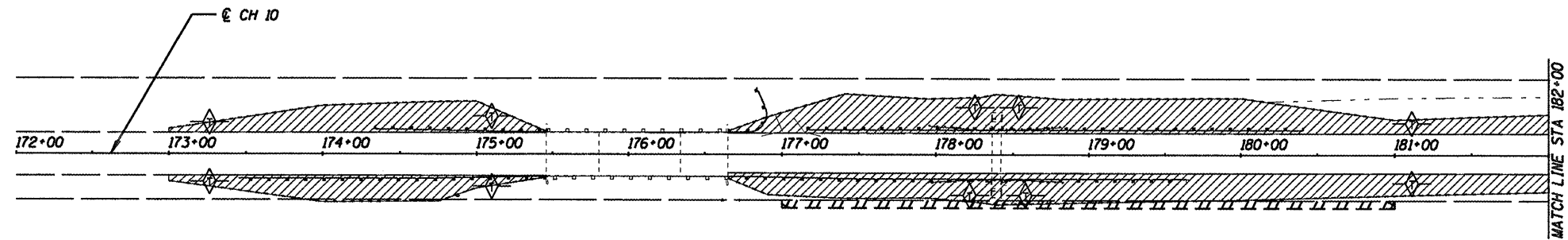
LEGEND	
	INLET & PIPE PROTECTION
	TEMPORARY DITCH CHECK
	SEEDING, CLASS 2 (SPECIAL)

DISTURBED AREAS SHALL BE TEMPORARILY SEEDED AS SPECIFIED IN SECTION 280 OF THE STANDARD SPECIFICATIONS

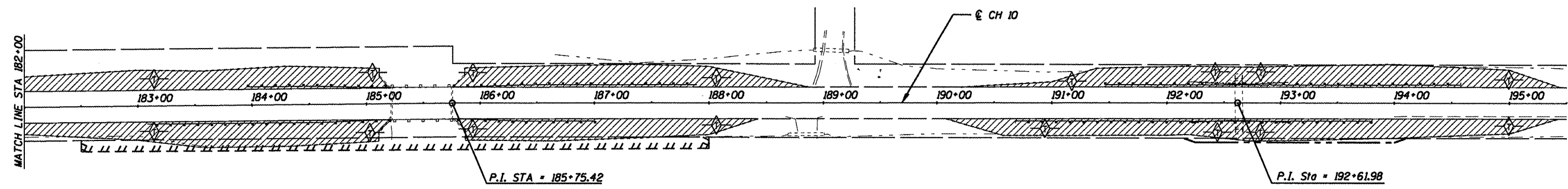
STA 173+00 TO STA 182+00
 SEEDING CLASS 2 (SPECIAL) 0.56 ACRES
 TEMPORARY EROSION CONTROL SEEDING 56 POUNDS
 TEMPORARY DITCH CHECK 10 EACH

DISTURBED AREAS RESULTING FROM EXCAVATION AND GRADING EXISTING SHOULDERS SHALL BE TEMPORARILY SEEDED AS SPECIFIED IN SECTION 281 OF THE STANDARD SPECIFICATIONS. PERMANENT SEEDING WILL BE DONE BY OTHERS.

ESTIMATED QUANTITY
 TEMPORARY EROSION CONTROL SEEDING 2,000 POUNDS



STA 182+00 TO STA 195+00
 SEEDING CLASS 2 (SPECIAL) 0.82 ACRES
 TEMPORARY EROSION CONTROL SEEDING 82 POUNDS
 TEMPORARY DITCH CHECK 16 EACH



CUMMINS
 ENGINEERING
 CORPORATION

JOB = 2217	DESIGNED - NAK	REVISED -
FILE NAME = 2217erosion.dgn	DRAWN - AJH	REVISED -
PLOT SCALE = 100.0003' / IN.	CHECKED - NAK	REVISED -
PLOT DATE = 1/28/2009	DATE - 11/03/2008	REVISED -

LOGAN COUNTY
 CH 10, TR 199A, TR 92 IMPROVEMENTS

EROSION CONTROL PLAN

F.A.S. RTE.	SECTION	COUNTY	TOTAL SHEETS	SHEET NO.
566	05-00113-00-WR	LOGAN	63	31
CH 10, TR 199A, TR 92			CONTRACT NO.	
FED. ROAD DIST. NO.		ILLINOIS FED. AID PROJECT		

93482