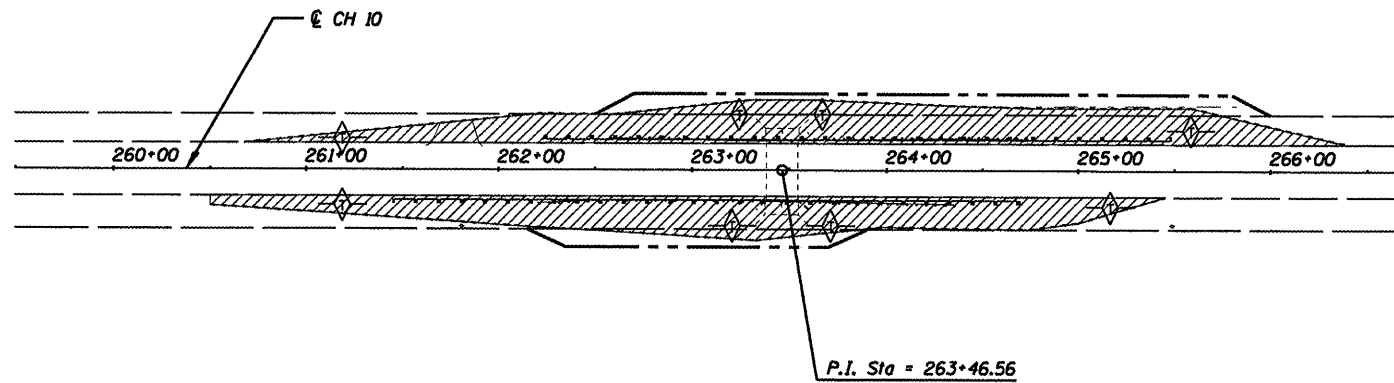


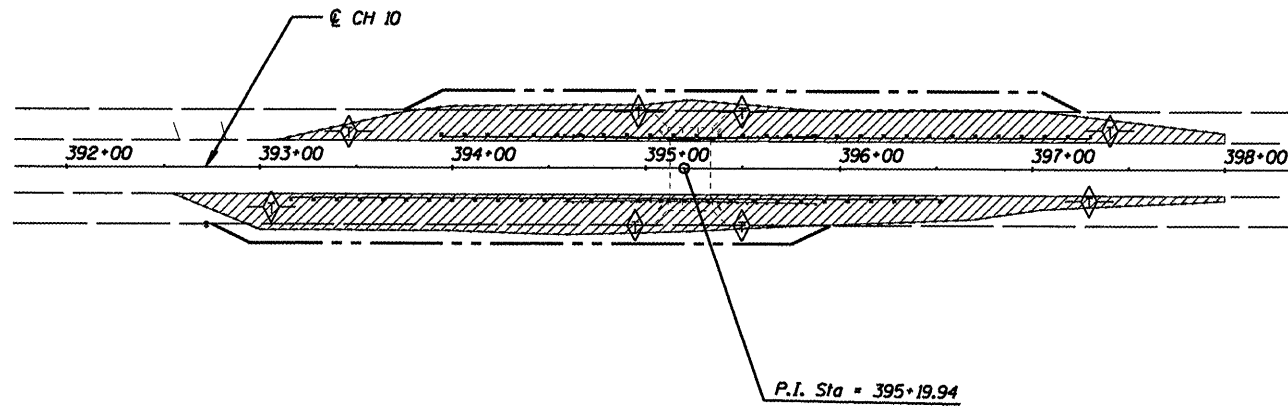
LEGEND	
	INLET & PIPE PROTECTION
	TEMPORARY DITCH CHECK
	SEEDING, CLASS 2 (SPECIAL)

DISTURBED AREAS SHALL BE TEMPORARILY SEEDED AS SPECIFIED IN SECTION 280 OF THE STANDARD SPECIFICATIONS

STA 260+00 TO STA 266+50  
 SEEDING CLASS 2 (SPECIAL) 0.37 ACRES  
 TEMPORARY EROSION CONTROL SEEDING 37 POUNDS  
 TEMPORARY DITCH CHECK 8 EACH



STA 392+00 TO STA 398+00  
 SEEDING CLASS 2 (SPECIAL) 0.38 ACRES  
 TEMPORARY EROSION CONTROL SEEDING 38 POUNDS  
 TEMPORARY DITCH CHECK 8 EACH



CUMMINS  
 ENGINEERING  
 CORPORATION

JOB = 2217	DESIGNED - NAK	REVISED -
FILE NAME = 2217erosion.dgn	DRAWN - AJH	REVISED -
PLOT SCALE = 100.0003' / IN.	CHECKED - NAK	REVISED -
PLOT DATE = 1/20/2009	DATE - 11/03/2008	REVISED -

LOGAN COUNTY  
 CH 10, TR 199A, TR 92 IMPROVEMENTS

EROSION CONTROL PLAN

F.A.S. RTE.	SECTION	COUNTY	TOTAL SHEETS	SHEET NO.
566	05-00113-00-WR	LOGAN	63	32
CH 10, TR 199A, TR 92			CONTRACT NO.	
FED. ROAD DIST. NO.			[ILLINOIS] FED. AID PROJECT	

93482