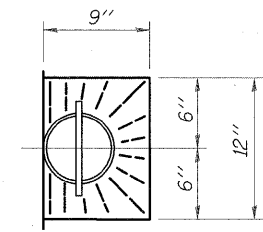
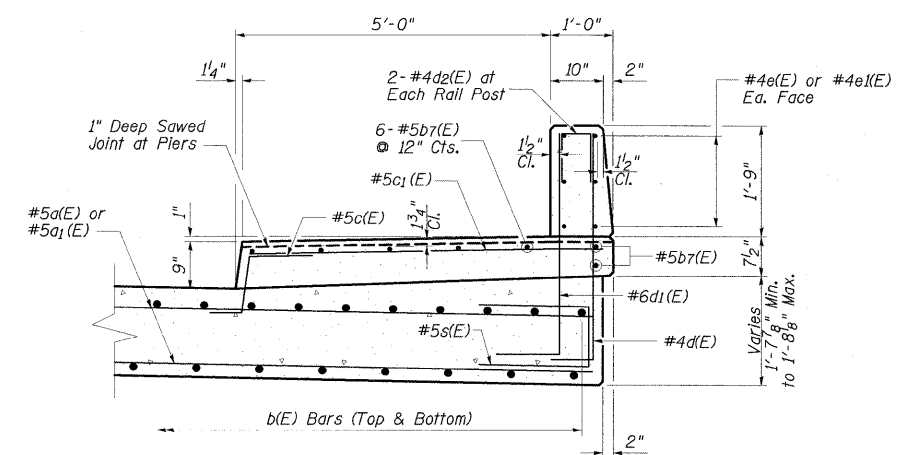


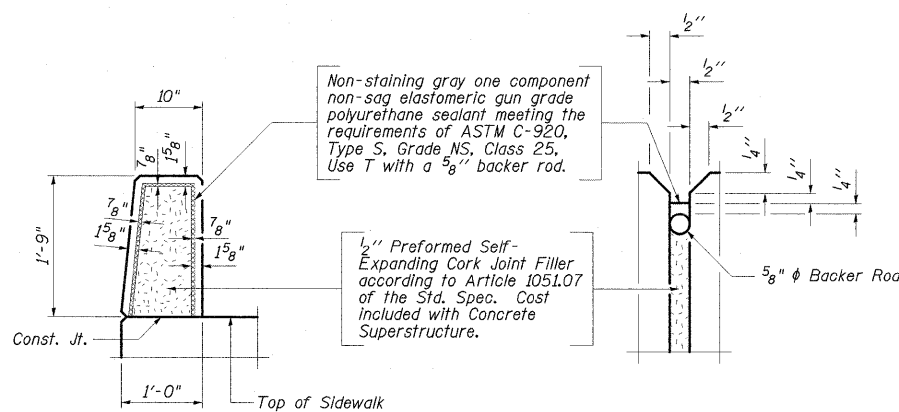
INSIDE ELEVATION OF SOUTH PARAPET



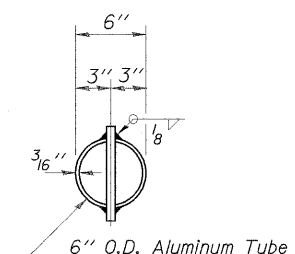
TOP PLAN



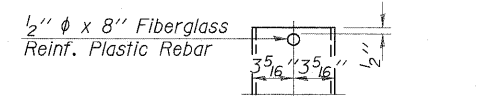
SECTION THRU SIDEWALK



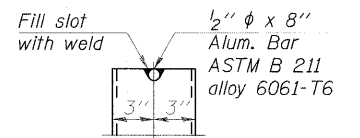
PARAPET JOINT DETAILS



TOP PLAN (Showing Aluminum Tube)

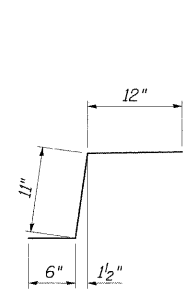


FIBERGLASS PIPE

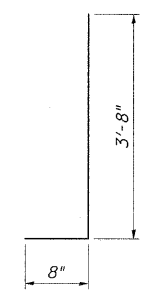


ALUMINUM TUBE

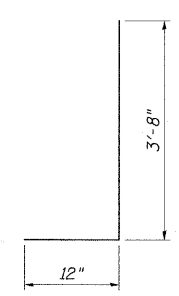
FLOOR DRAIN DETAILS



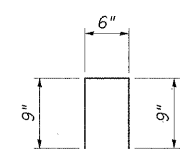
BAR c(E)



BAR d(E)



BAR d1(E)



BAR d2(E)

NOTES:

1. Reinforcement Bars Shall Not Pass Thru Aluminum Sheets and Cork Joint Filler.

FILE NAME = ...Parapet 1.dgn	USER NAME = Brad Downen	DESIGNED - SF	REVISED -	CITY OF SPRINGFIELD SPRINGFIELD, ILLINOIS	PARAPET DETAILS 1 STATION 86+95.74 S.N. 084-6001 (E) WASHINGTON STREET OVER JACKSONVILLE BRANCH	F.A.U. RTE. 7977	SECTION 05-00443-00-BR	COUNTY SANGAMON	TOTAL SHEETS 28	SHEET NO. 21	
PLT SCALE = 6.0002' / IN.	CHECKED - WLB	REVIS	REVIS			SCALE:	SHEET NO. OF SHEETS STA. TO STA.	CONTRACT NO. 93485			
PLT DATE = 3/18/2009	DATE - 03/10/2009	REVIS	REVIS			FED. ROAD DIST. NO. 6 ILLINOIS FED. AID PROJECT					
						* CITY OF SPRINGFIELD					