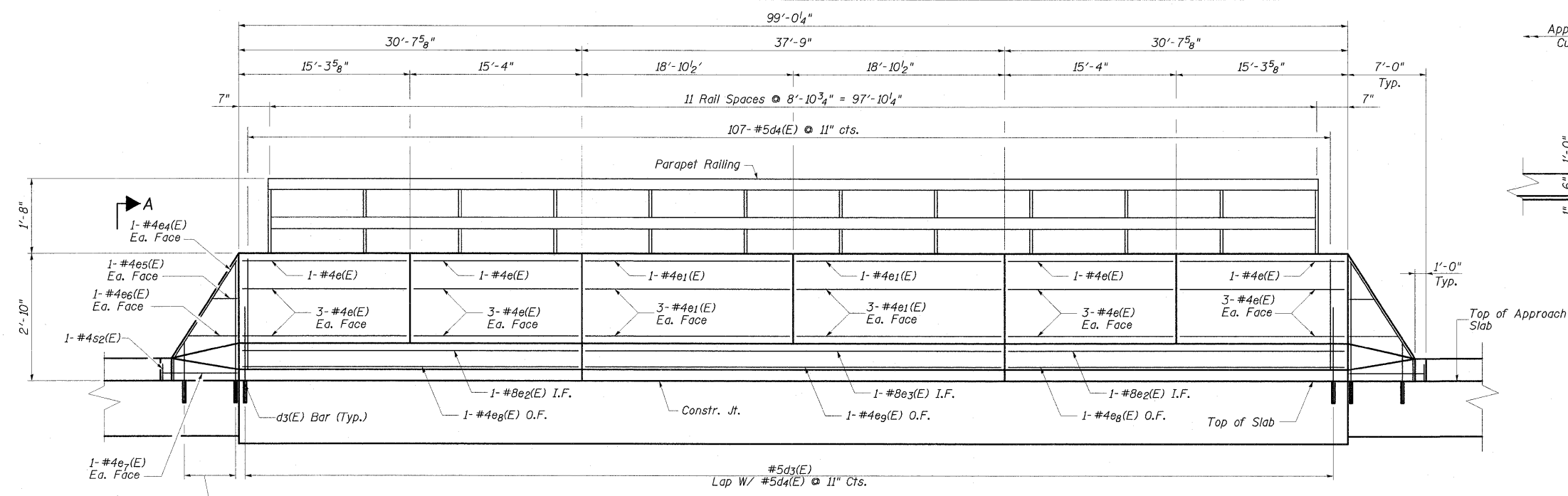
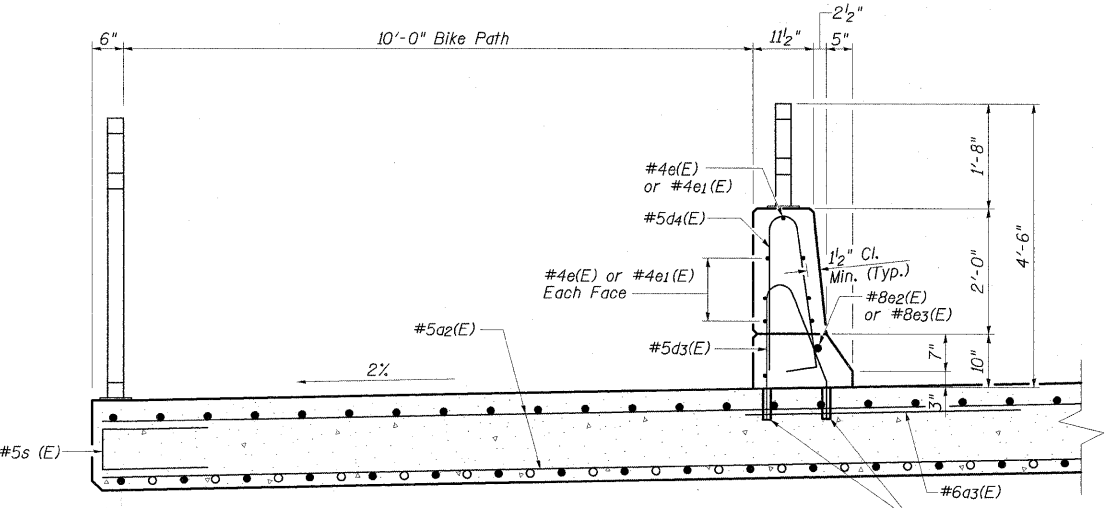


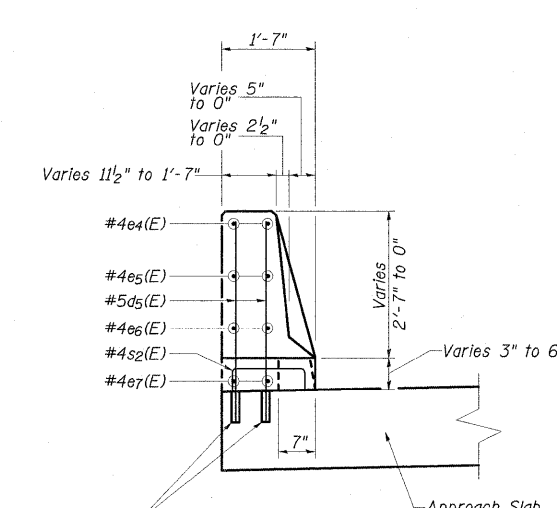
PLAN - PARAPET END SECTION



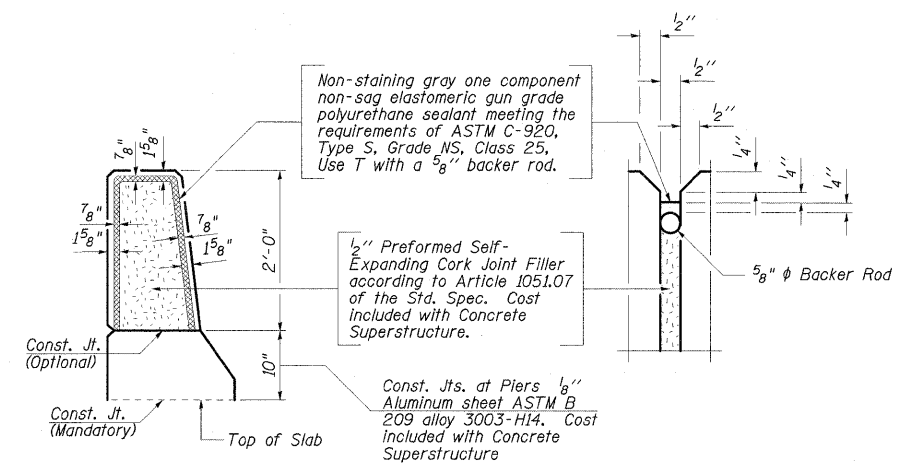
INSIDE ELEVATION OF NORTH PARAPET
*Cut to Fit in the Field



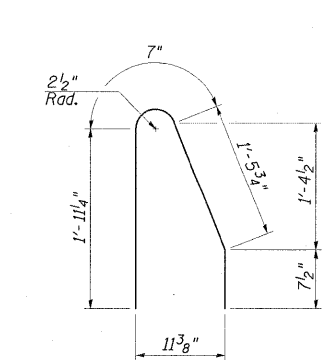
SECTION THRU PARAPET



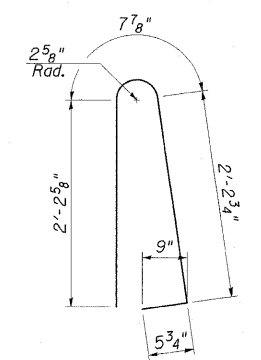
SECTION A-A



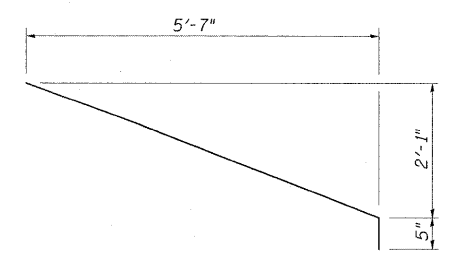
PARAPET JOINT DETAILS



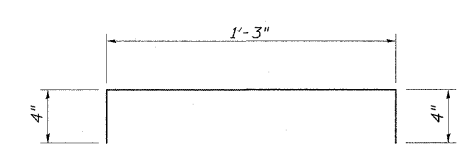
BAR d3(E)



BAR d4(E)



BAR e4(E)



BAR s2(E)

NOTES:

1. Reinforcement Bars Shall Not Pass Thru Aluminum Sheets and Cork Joint Filler.

FILE NAME = ...Parapet II.dgn	USER NAME = Brad Downen	DESIGNED - SF	REVISED -	CITY OF SPRINGFIELD SPRINGFIELD, ILLINOIS	PARAPET DETAILS 2 STATION 86+95.74 S.N. 084-6001 (E) WASHINGTON STREET OVER JACKSONVILLE BRANCH	F.A.U. RTE. 7977	SECTION 05-00443-00-BR	COUNTY SANGAMON	TOTAL SHEETS 28	SHEET NO. 22	
PLOT SCALE = 6.0000' / IN.	CHECKED - WLB	DRAWN - GLD	REVISED -			SCALE:	SHEET NO. OF SHEETS STA. TO STA.	CONTRACT NO. 93485		FED. ROAD DIST. NO. 6 ILLINOIS FED. AID PROJECT	
PLOT DATE = 3/18/2009	DATE = 03/10/2009	CHECKED - WLB	REVISED -					CITY OF SPRINGFIELD			