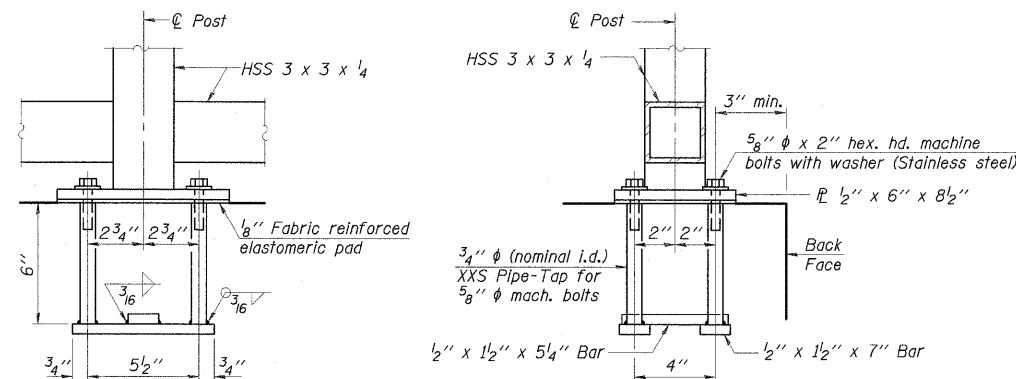
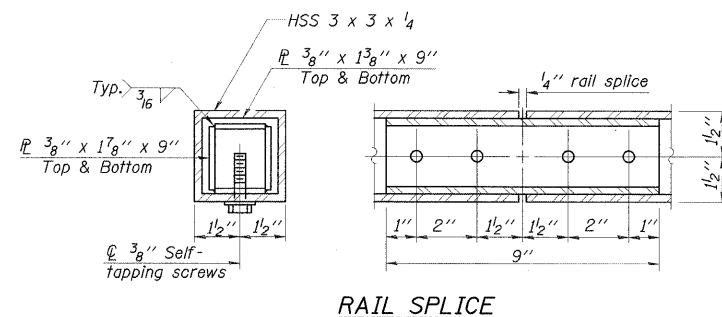
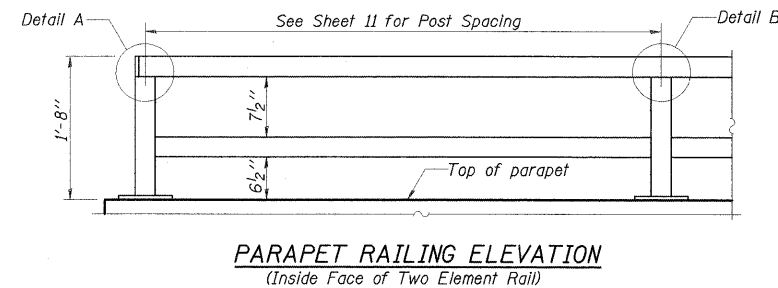
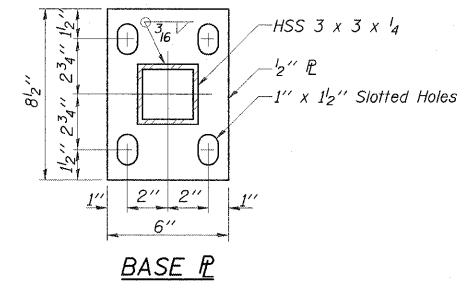
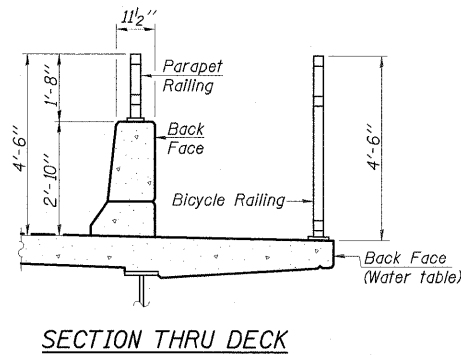


All steel rail elements shall be galvanized according to Article 509.05 of the Standard Specifications.



In lieu of the cast-in-place anchor device shown, the Contractor has the option of drilling and setting 5/8" ϕ anchor rods according to Article 509.06 of the Standard Specifications. Embedment shall be according to the manufacturer's specifications.

BILL OF MATERIAL

Item	Unit	Quantity
Bicycle Railing	Foot	98
Parapet Railing	Foot	98

FILE NAME = ...Bicycle Railing.dgn	USER NAME = Brad Downen	DESIGNED - SF	REVISED -
		DRAWN - GLD	REVISED -
	PLOT SCALE = 10,0000 1/ IN.	CHECKED - WLB	REVISED -
	PLOT DATE = 3/10/2009	DATE - 03/10/2009	REVISED -

**CITY OF SPRINGFIELD
SPRINGFIELD, ILLINOIS**

**BICYCLE RAILING DETAILS
STA. 86 + 95.74 S.N. 084-6001 (E)
WASHINGTON STREET OVER JACKSONVILLE BRANCH**

F.A.U. RTE.	SECTION	COUNTY	TOTAL SHEETS	SHEET NO.
7977	05-00443-00-BR	SANGAMON	28	24
FED. ROAD DIST. NO. 6 ILLINOIS FED. AID PROJECT			CONTRACT NO. 93485	
*CITY OF SPRINGFIELD				

SCALE: SHEET NO. OF SHEETS STA. TO STA.