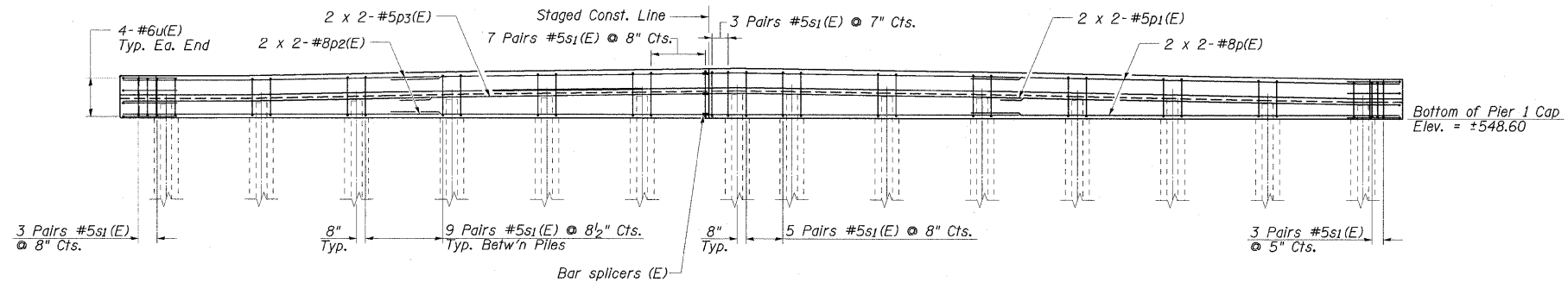
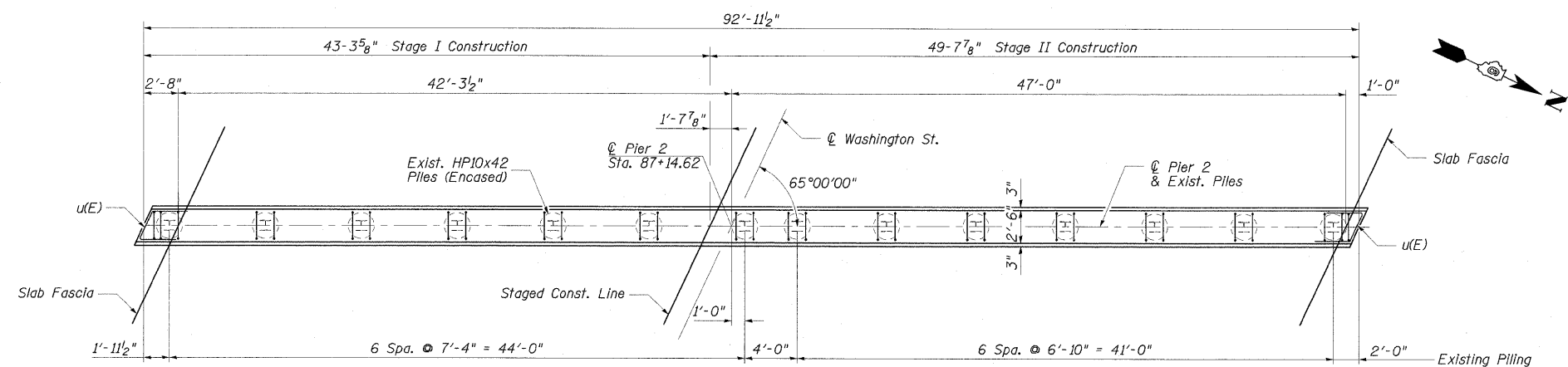


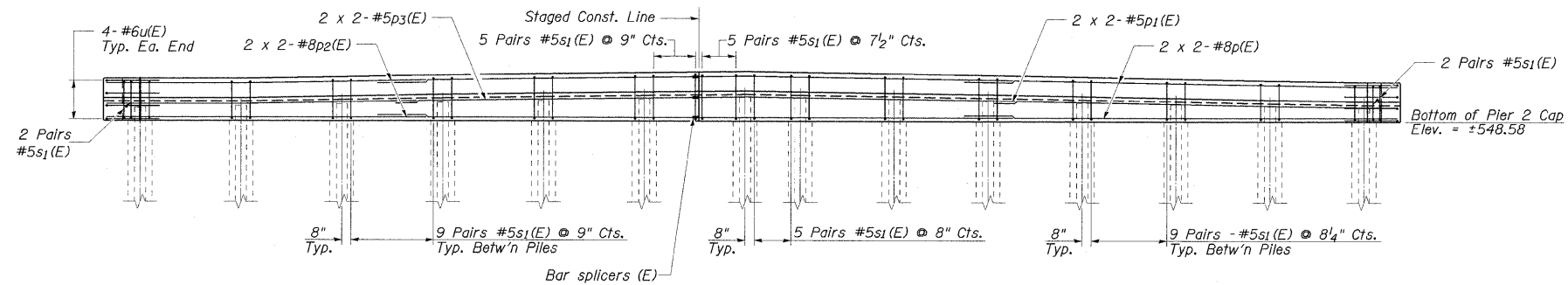
PIER 1 PLAN



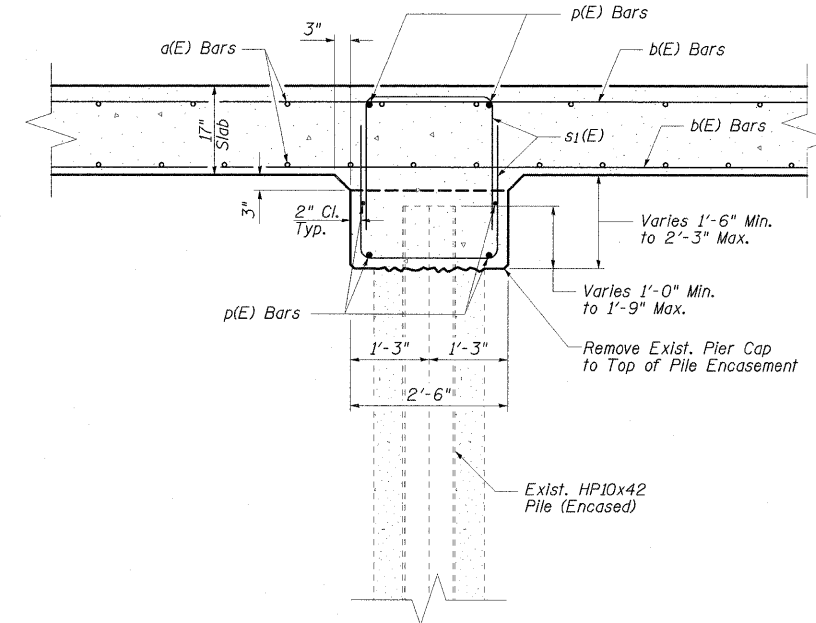
PIER 1 ELEVATION



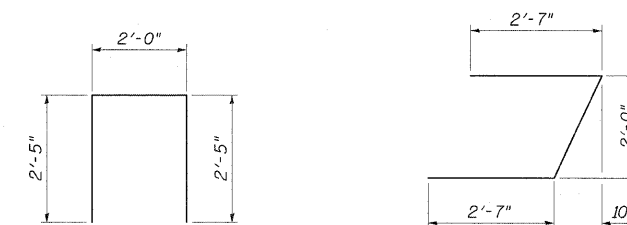
PIER 2 PLAN



PIER 2 ELEVATION



SECTION THRU PIER



BAR s1(E)

BAR u1(E)

MIN. BAR LAP

- #5 Bar = 1'-8"
- #8 Bar = 3'-8"

NOTES:

1. Pour Pier Cap Monolithically With Slab.
2. See Sheet 7 of 16 For Superstructure Details
3. Reinforcement is billed with Superstructure on Sheet 7 of 16.

FILE NAME = ...N\pier 1 & 2.dgn	USER NAME = Brad Dawnen	DESIGNED - SF	REVISED -	CITY OF SPRINGFIELD SPRINGFIELD, ILLINOIS	PIER 1 & 2 STATION 86+95.74 S.N. 084-6001 (E) WASHINGTON STREET OVER JACKSONVILLE BRANCH	F.A.U. RTE. 7977	SECTION 05-00443-00-BR	COUNTY SANGAMON	TOTAL SHEETS 28	SHEET NO. 26	
PLOT SCALE = 6.0000' / 1in.	PLOT DATE = 3/10/2009	DRAWN - GLD	REVISED -			SCALE:	SHEET NO. OF SHEETS STA. TO STA.	CONTRACT NO. 93485			
CHECKED - WLB	DATE - 03/10/2009	REVISOR -	REVISOR -			FED. ROAD DIST. NO. 6 ILLINOIS FED. AID PROJECT					
						*CITY OF SPRINGFIELD					